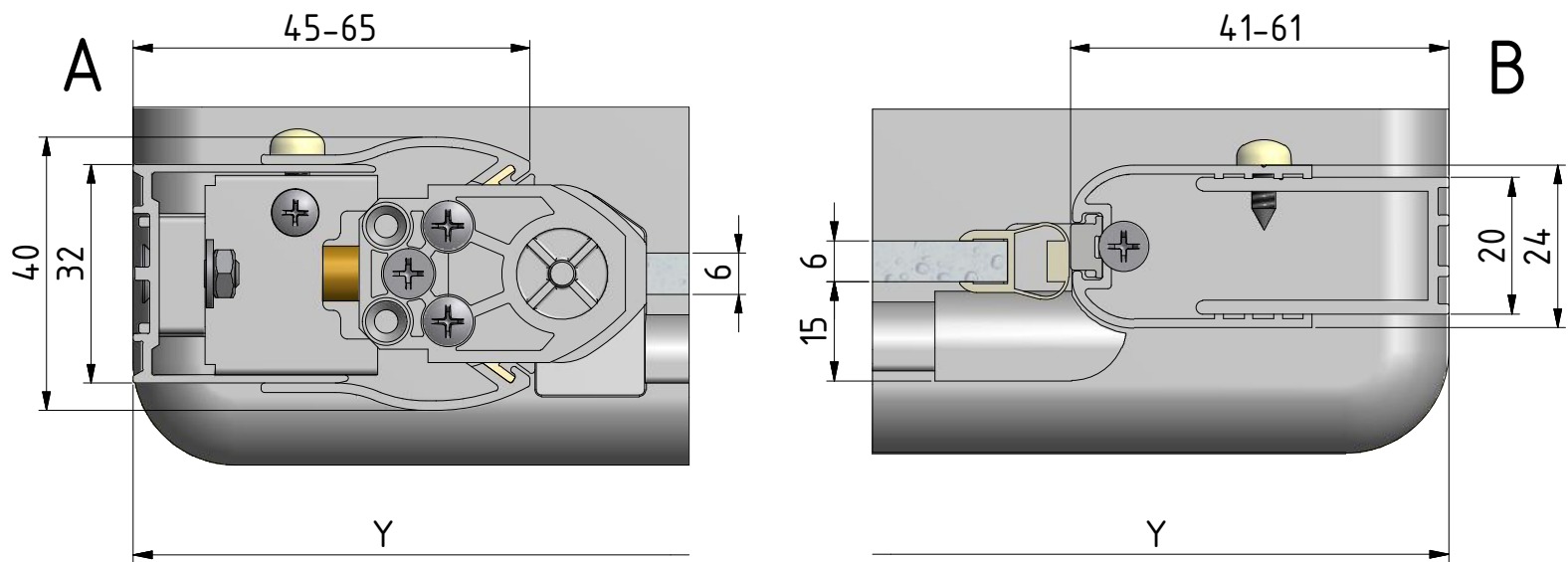
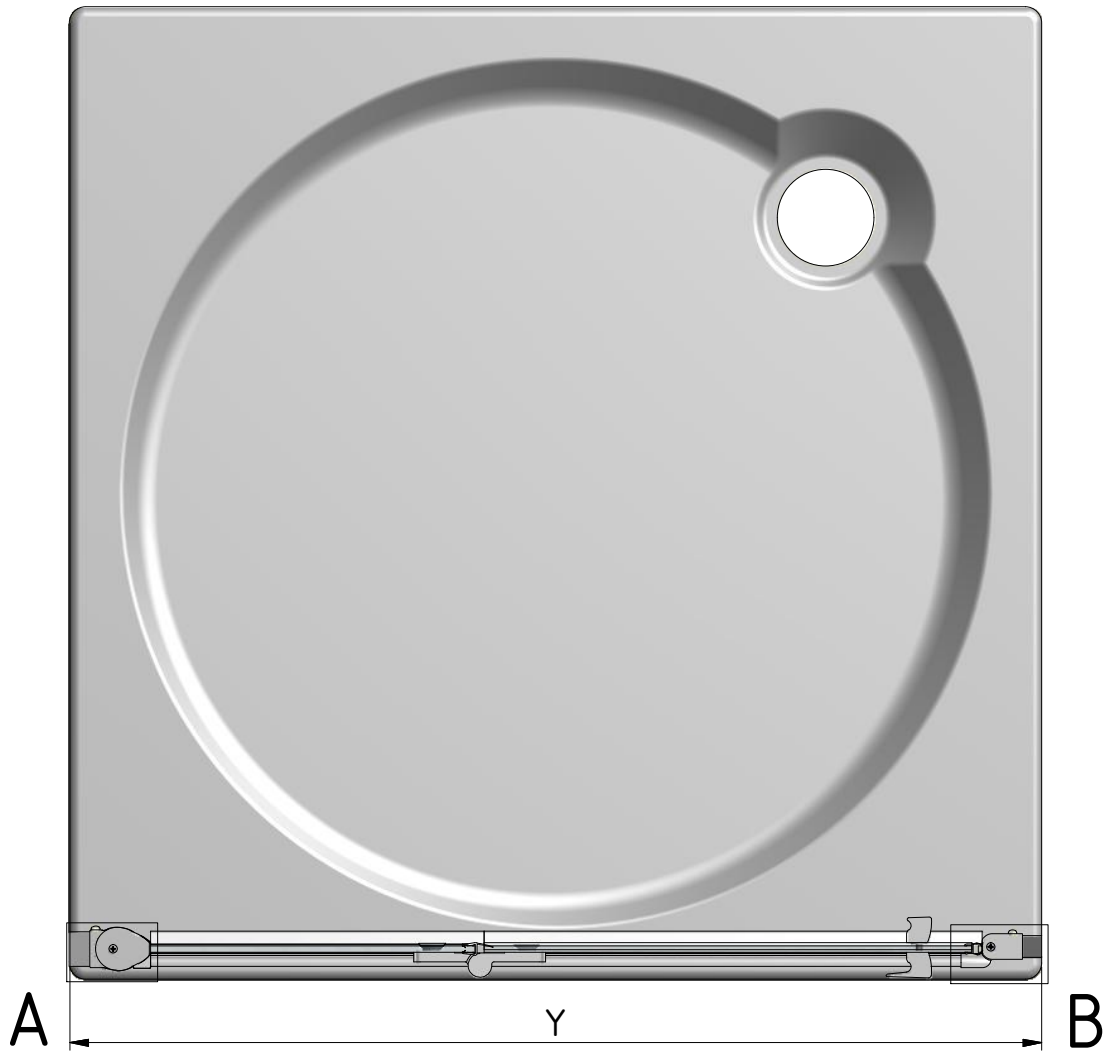


# TZNL1(TZNP1)

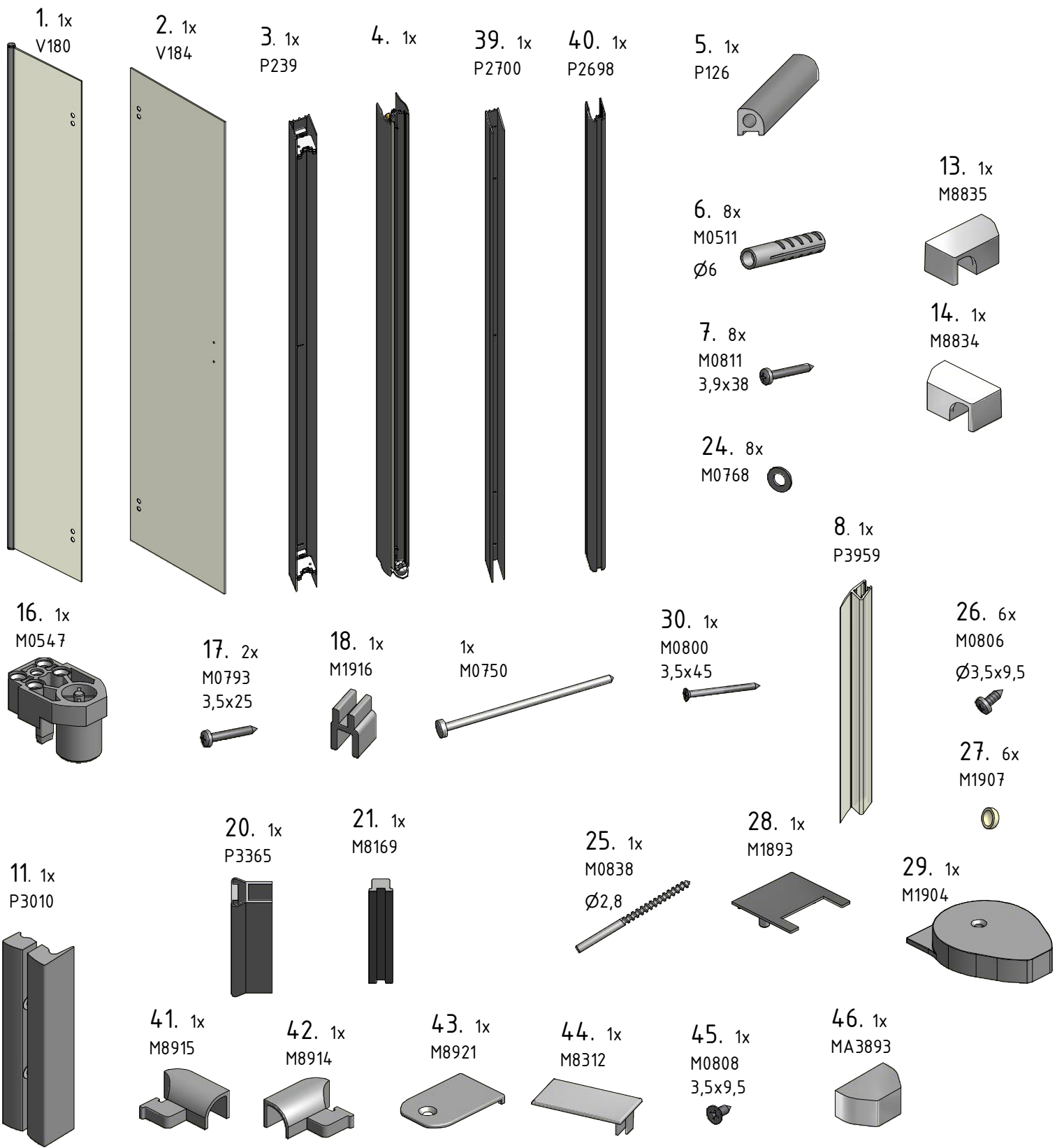


Roth Czech s.r.o. • Czech Republic • 569 33 • Třebořov 160  
tel.: +420 461 324 301/302, fax: +420 461 324 297  
<http://www.roth-czech.cz>; e-mail: [objednavky@roth-czech.cz](mailto:objednavky@roth-czech.cz)

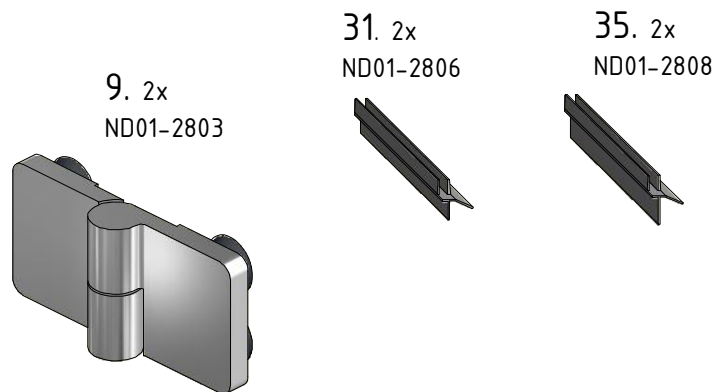




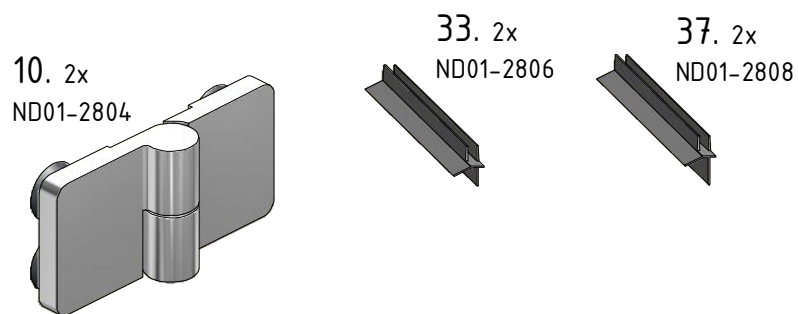
TZN1	Y
800	775-810
900	875-910
1000	975-1010
1100	1075-1110
1200	1175-1210

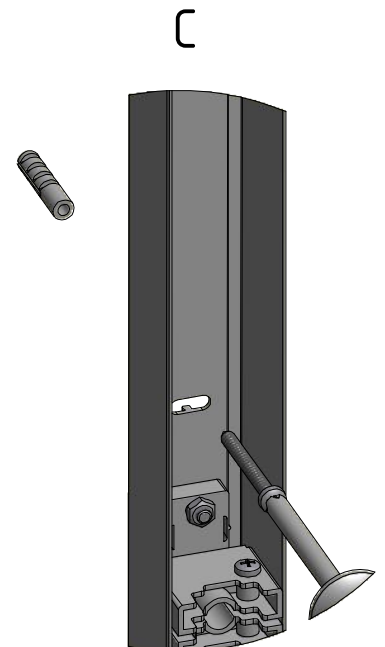
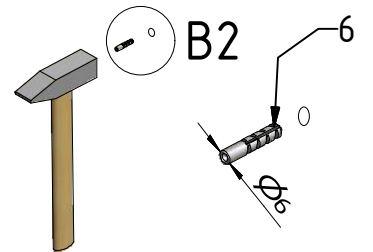
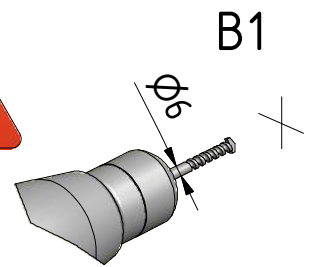
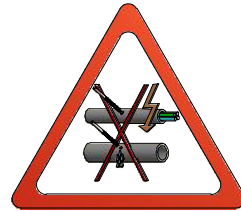
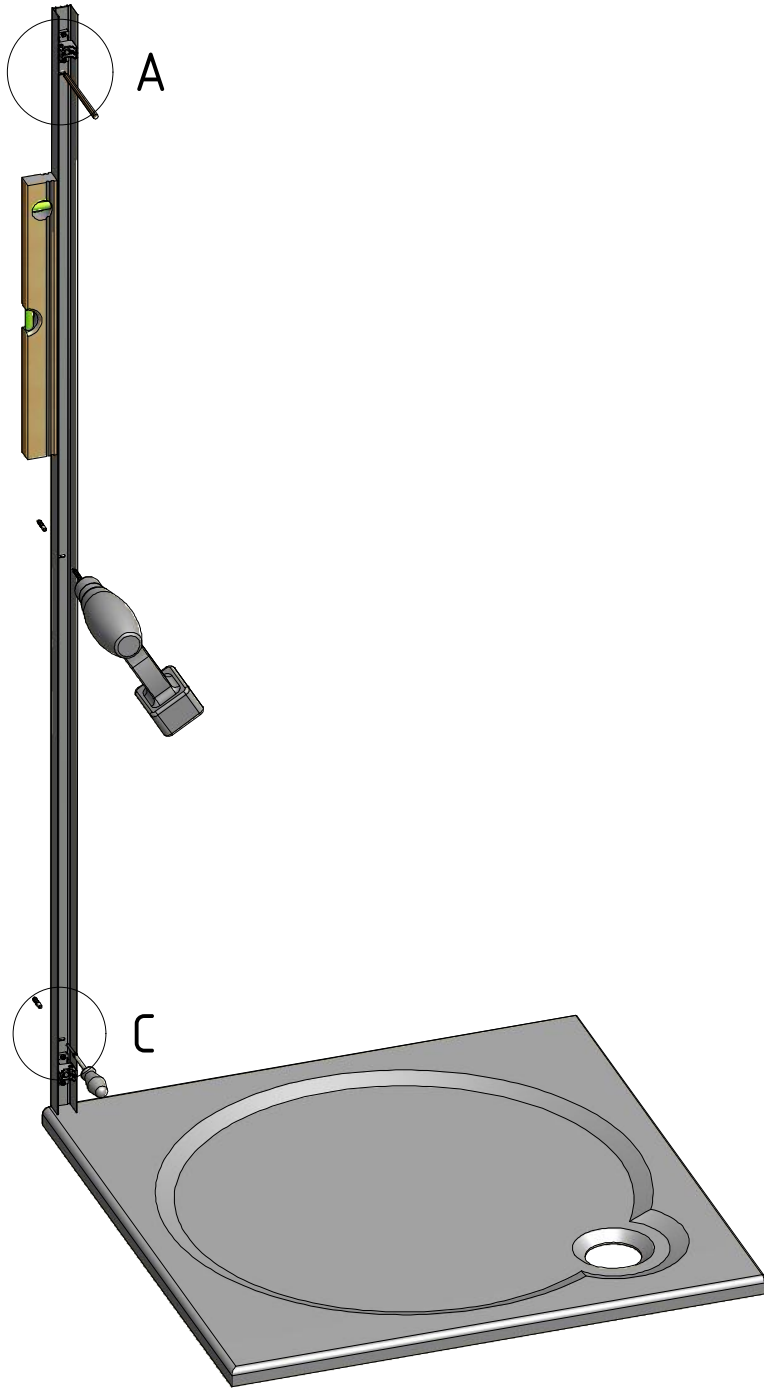


## TZNL1

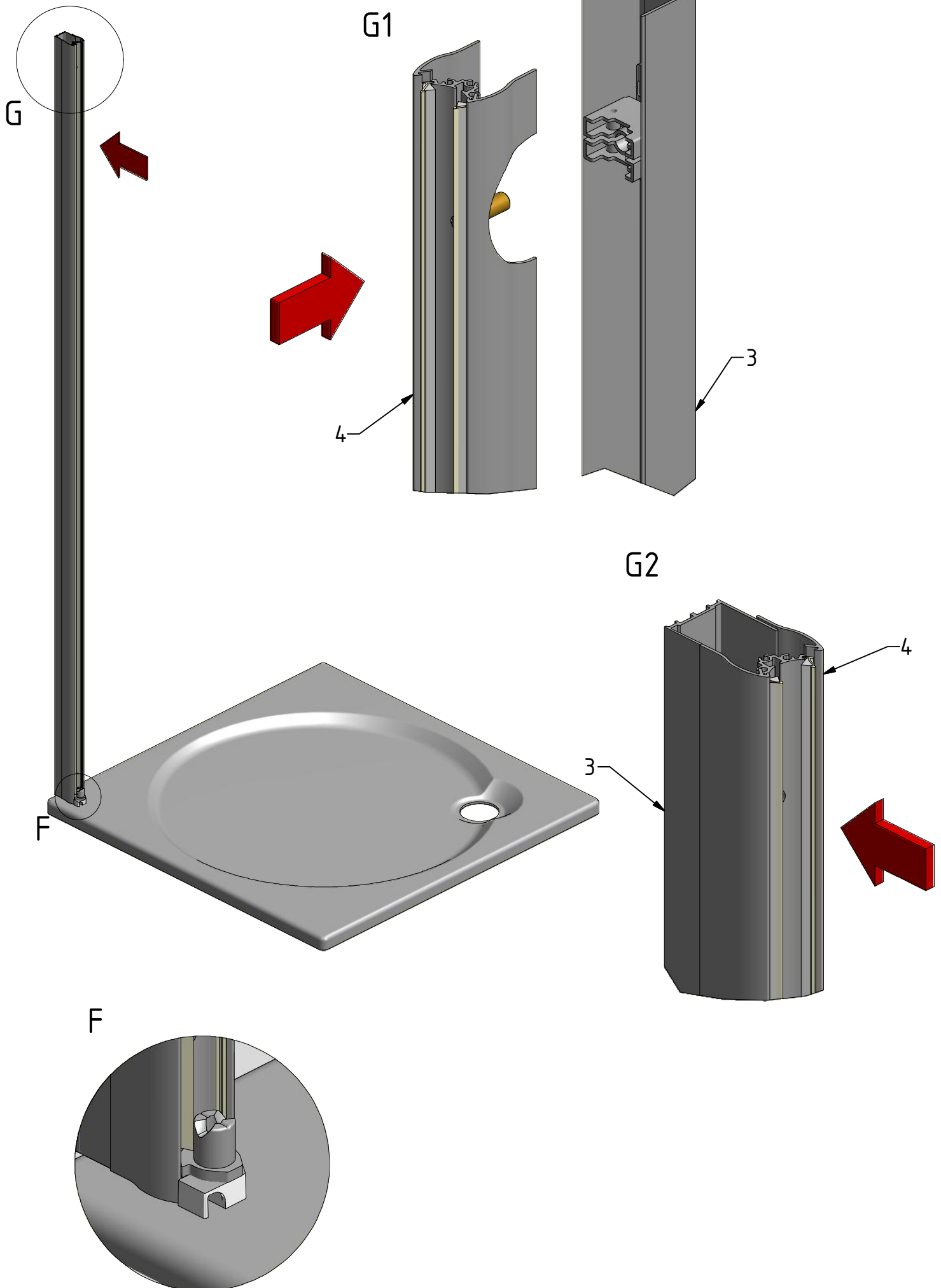


## TZNP1

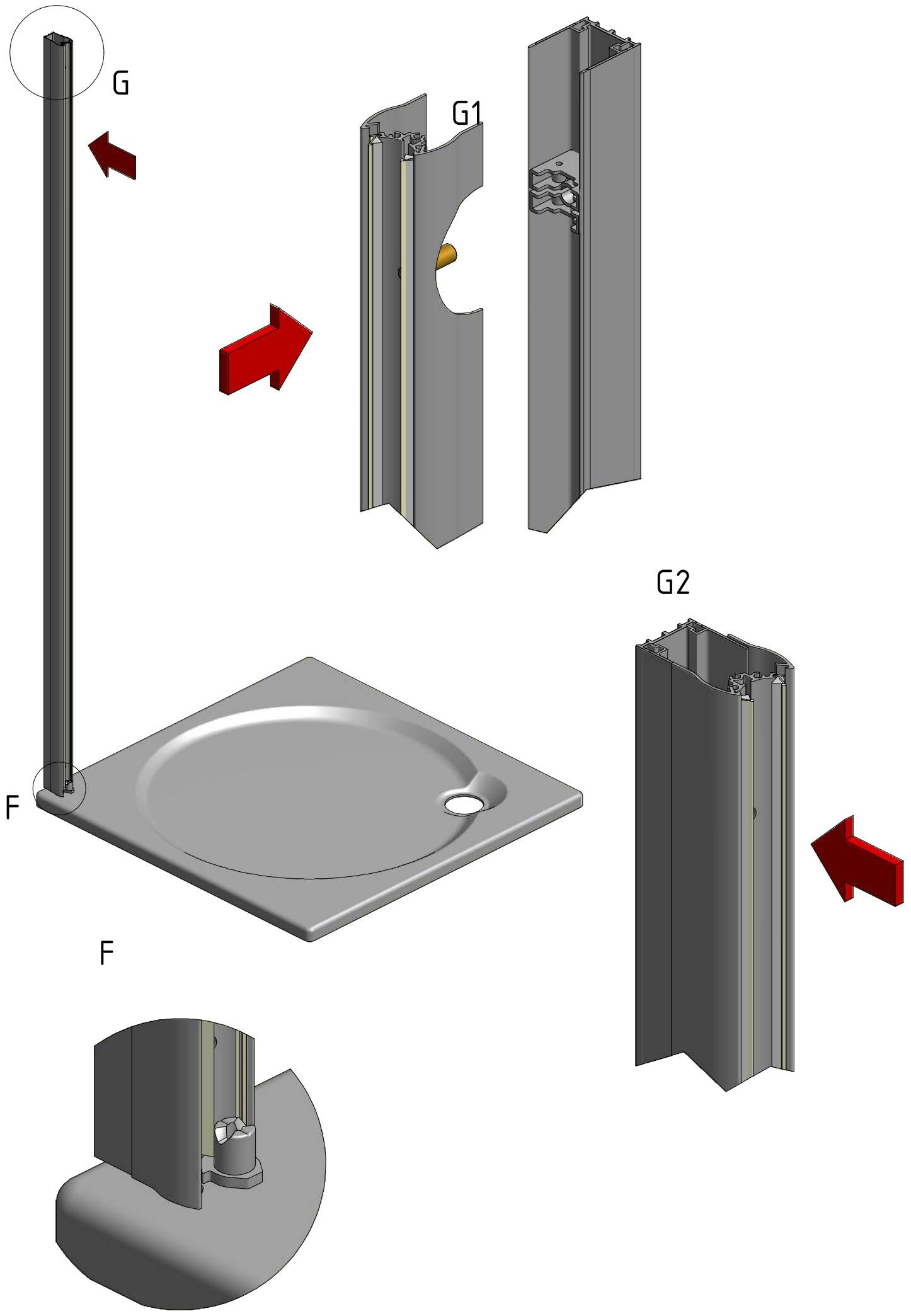


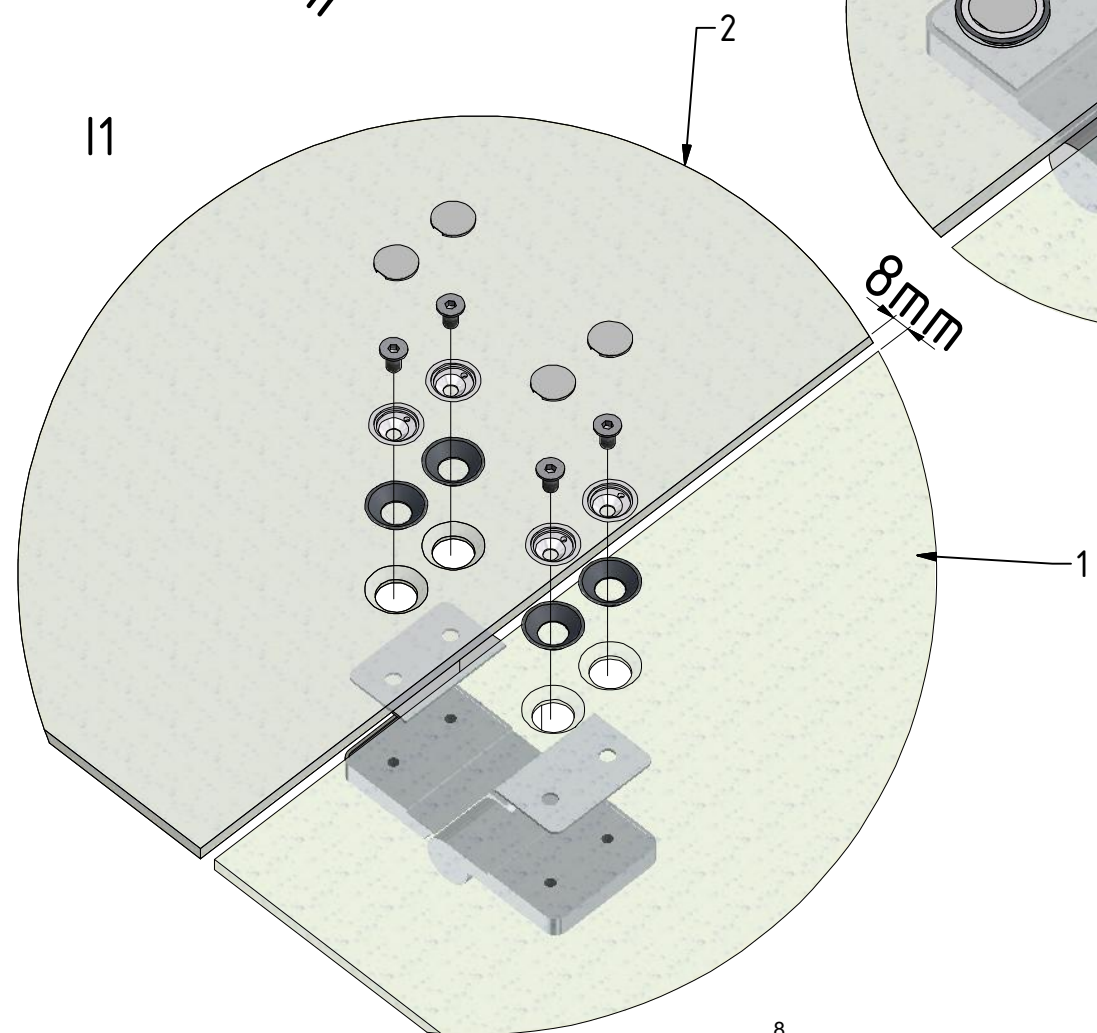
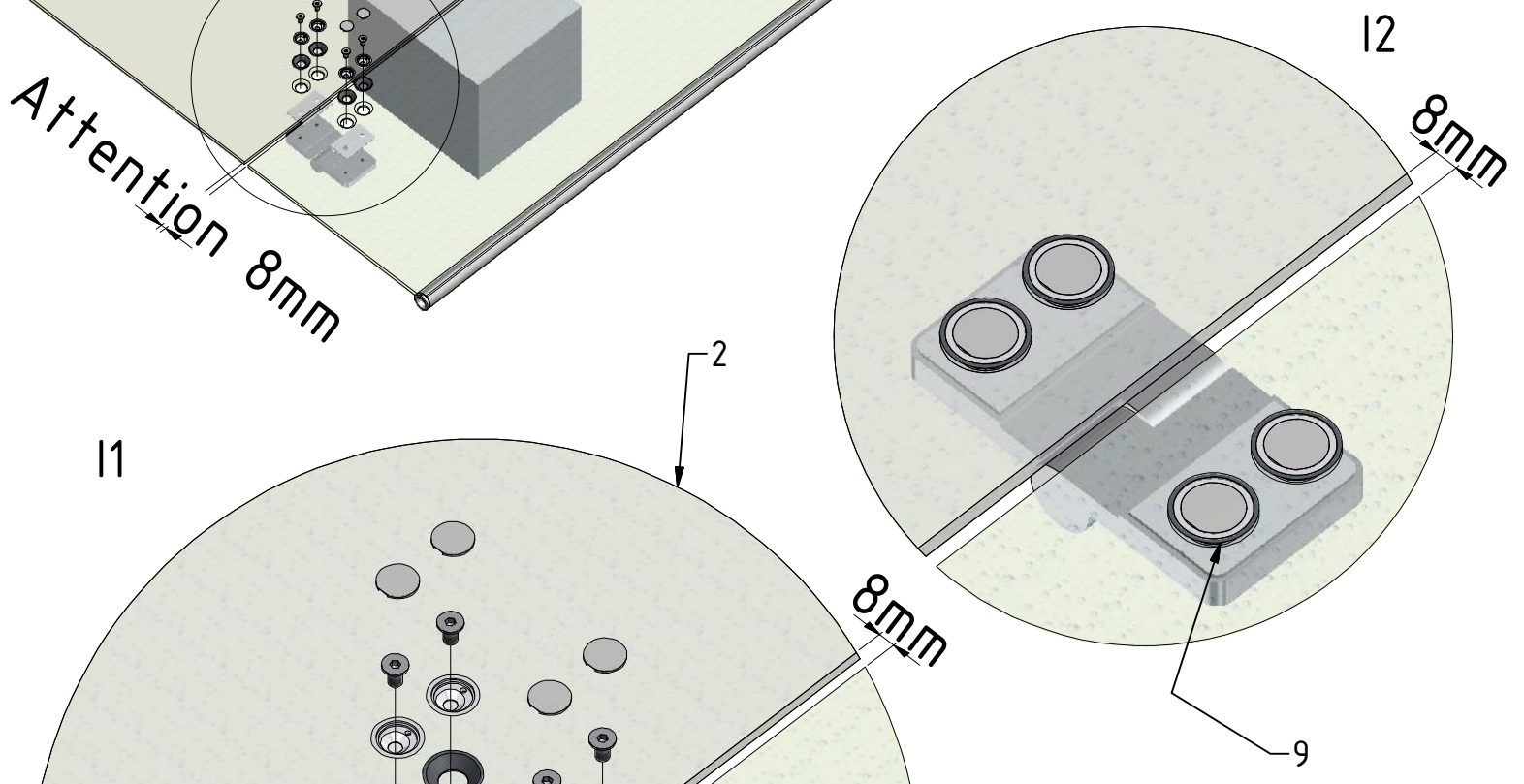
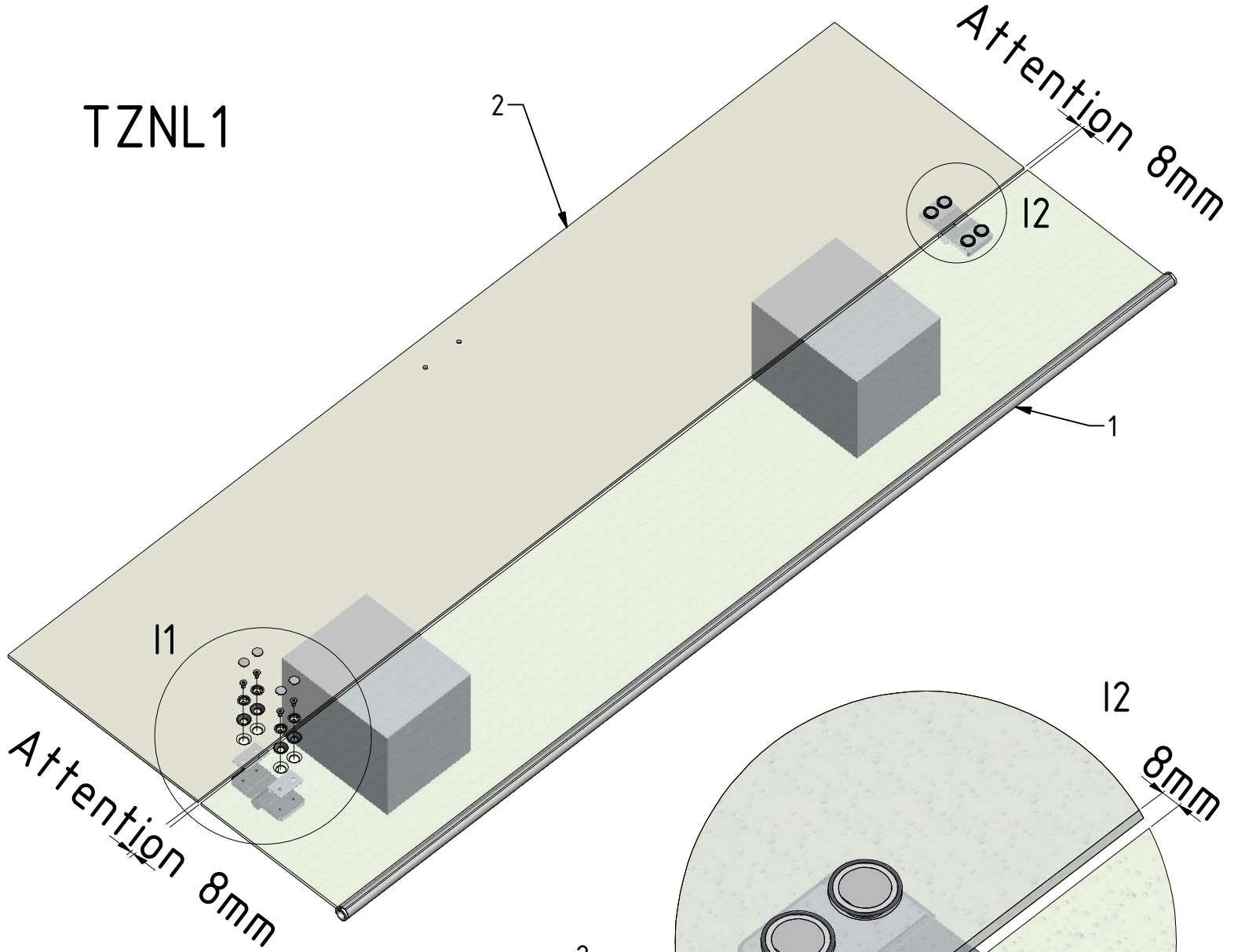


# Varianta I.

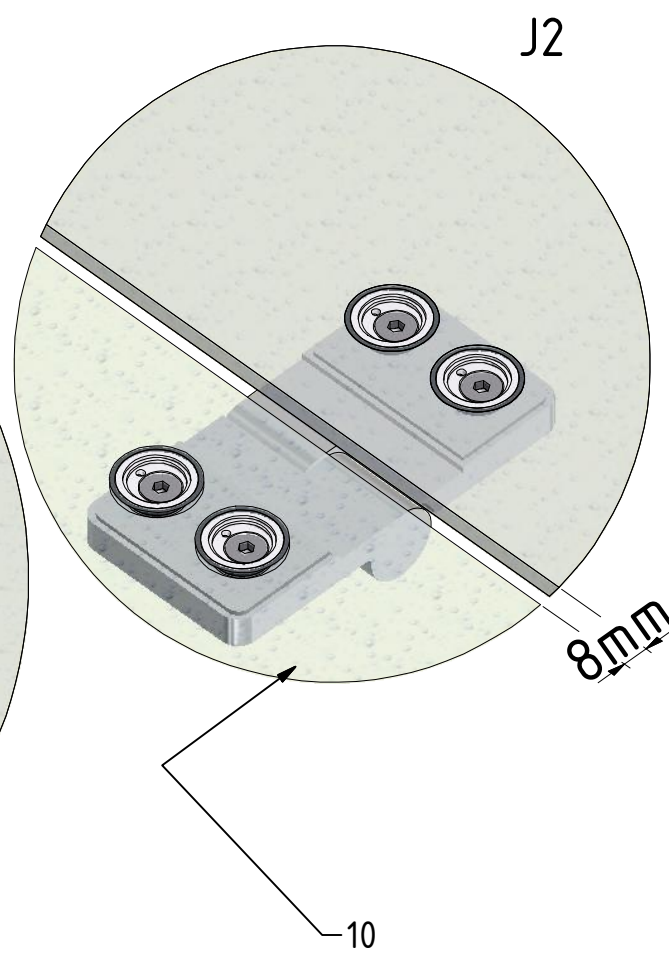
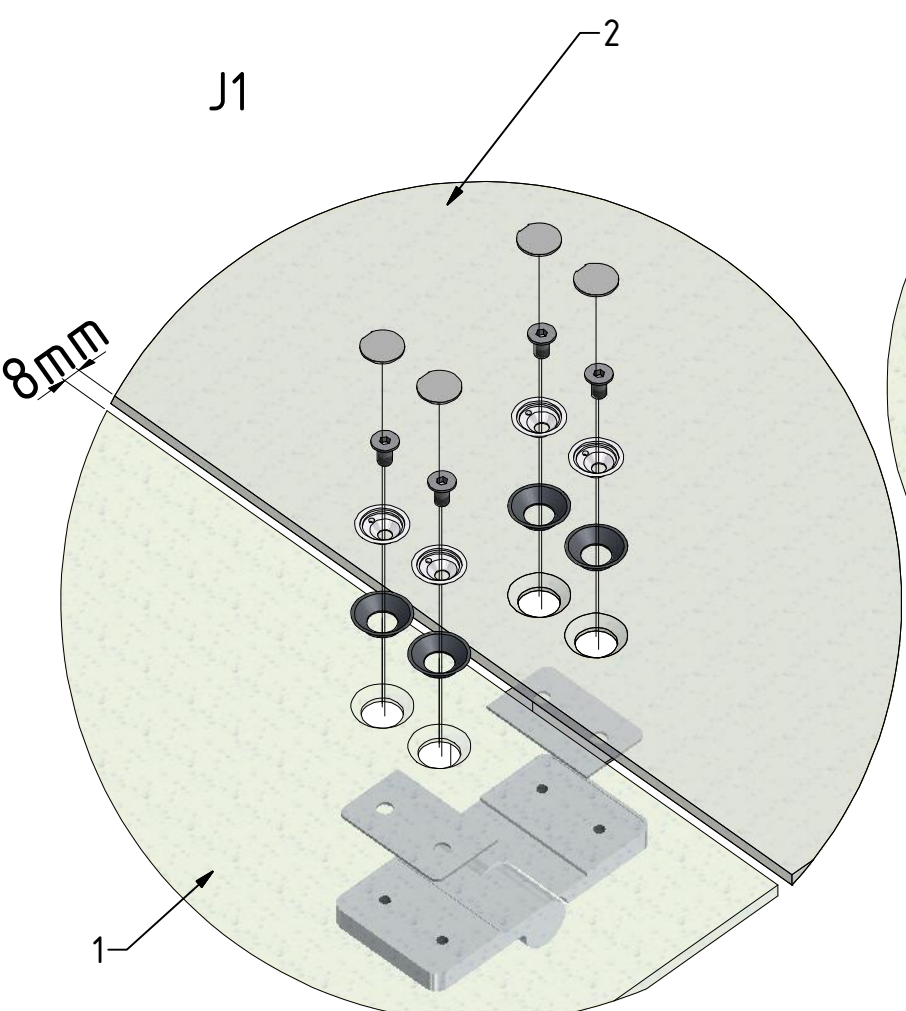
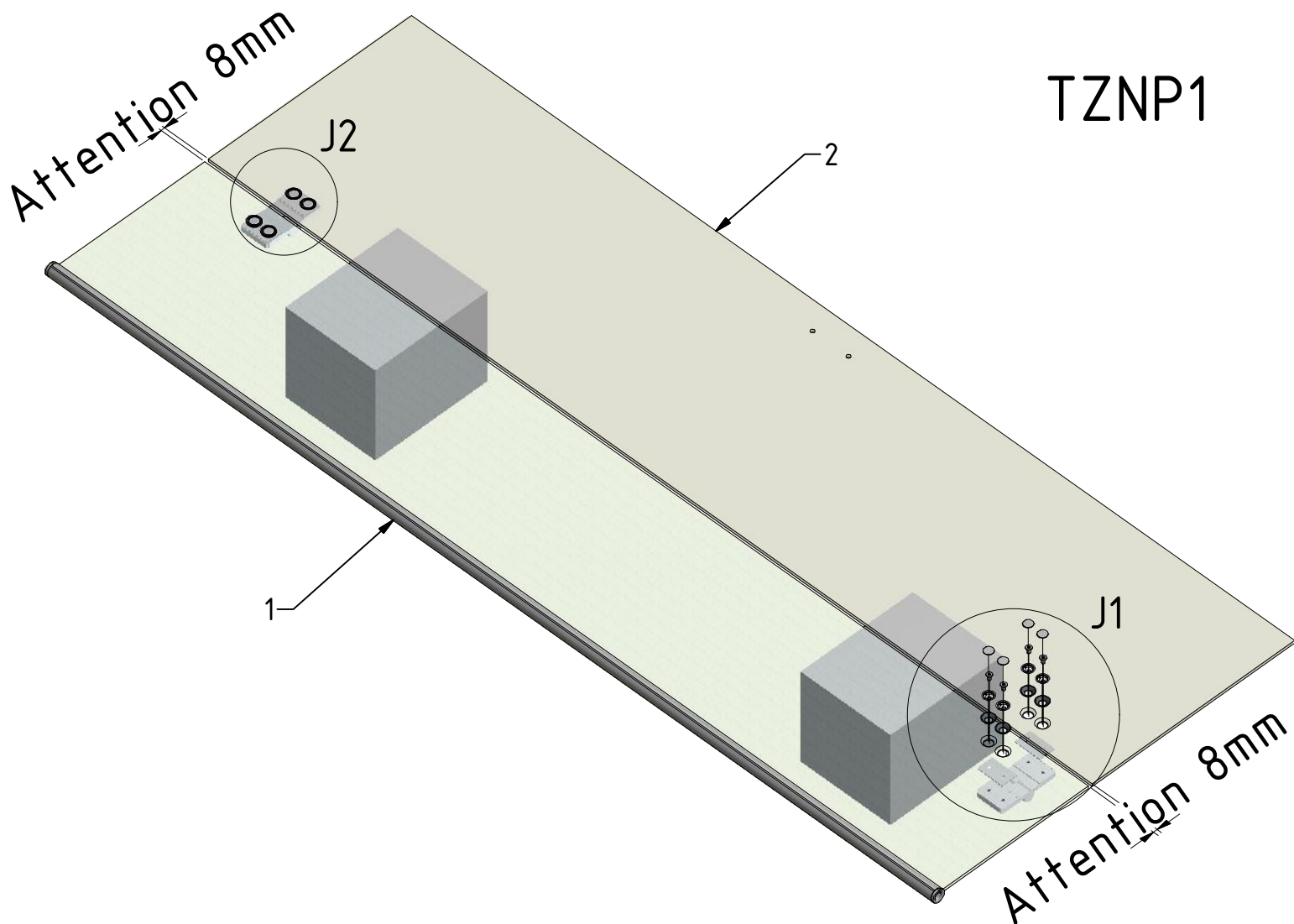


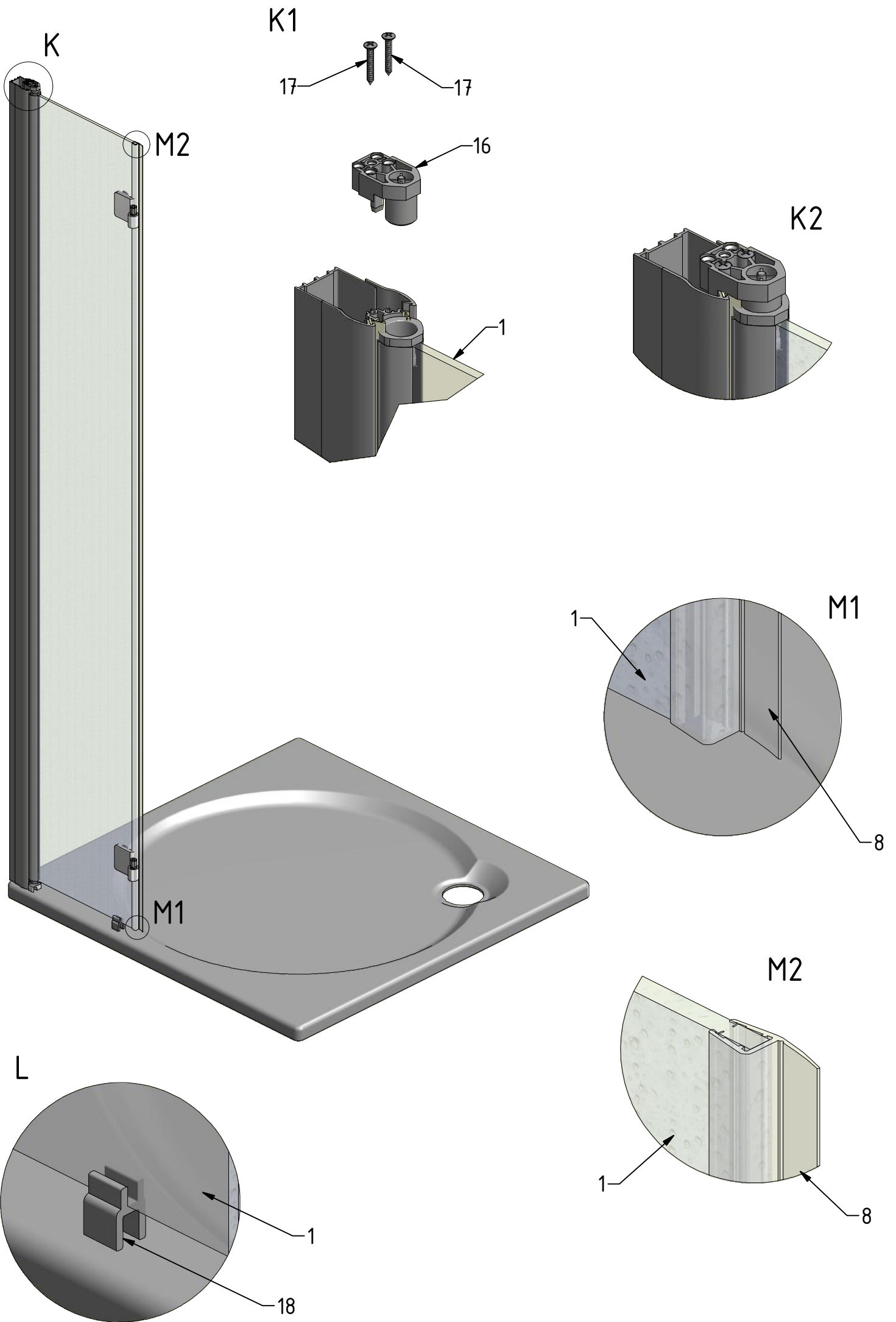
Varianta II.

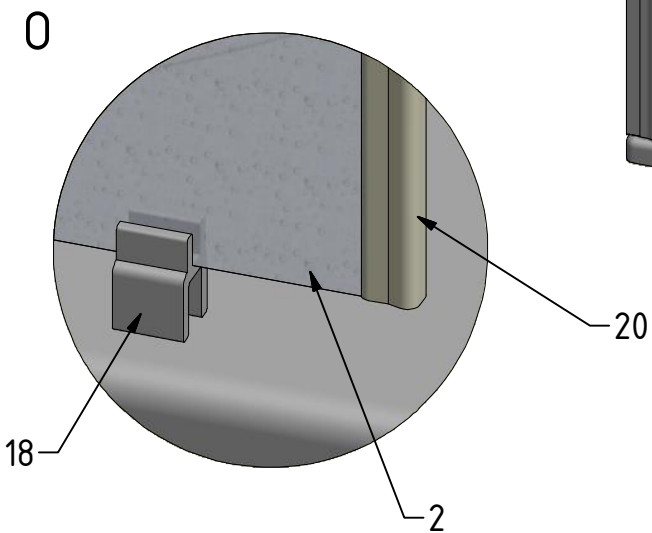
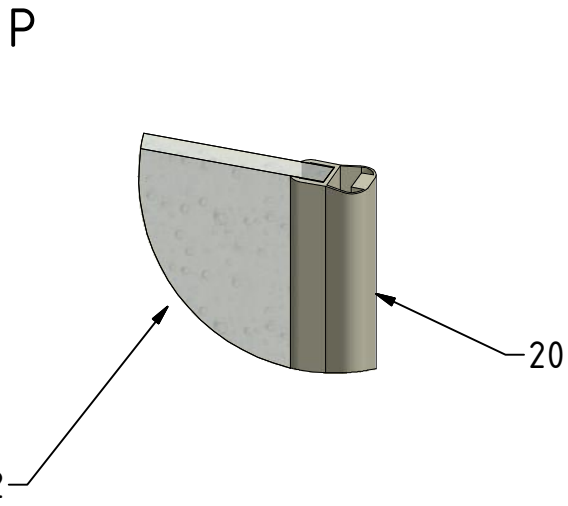
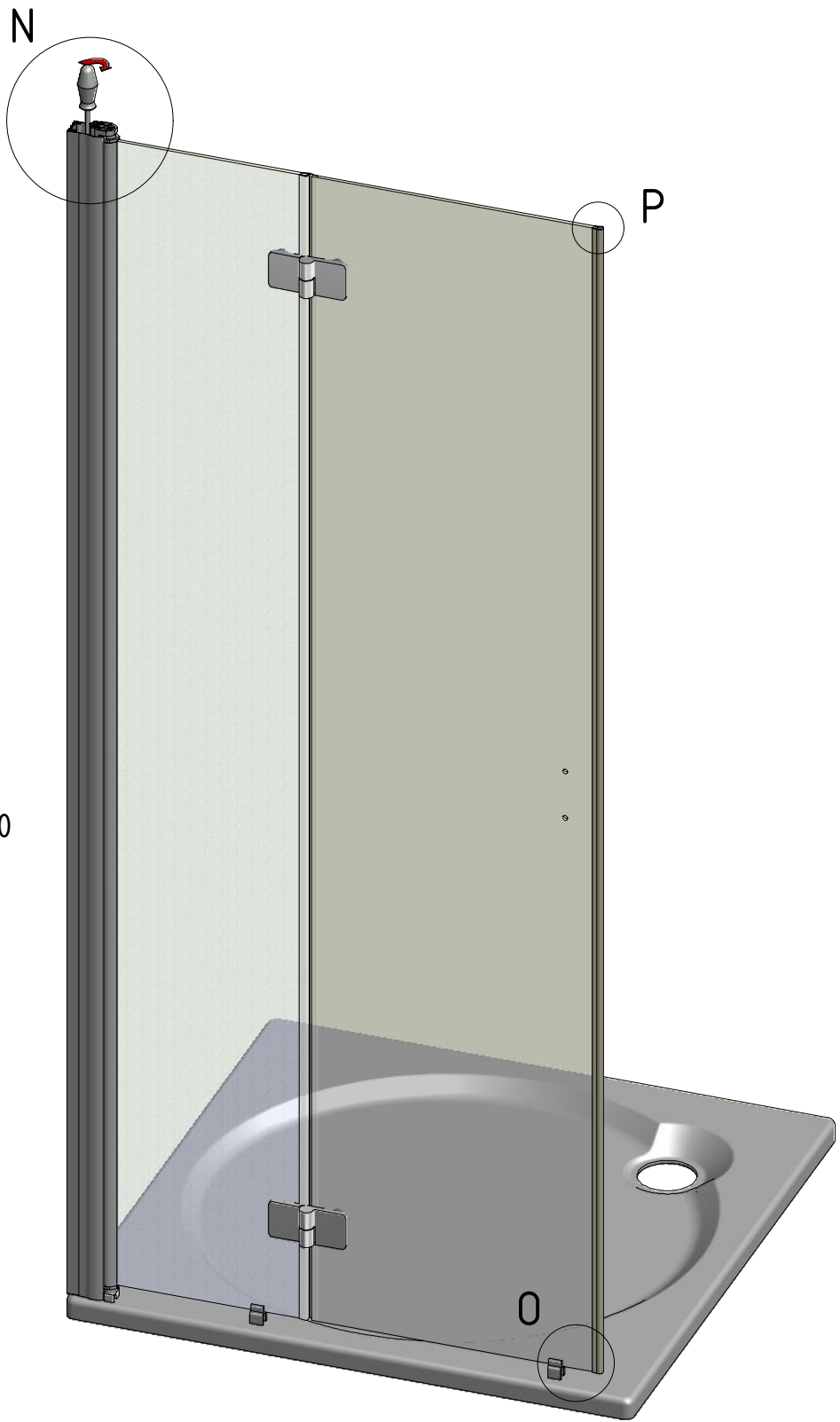
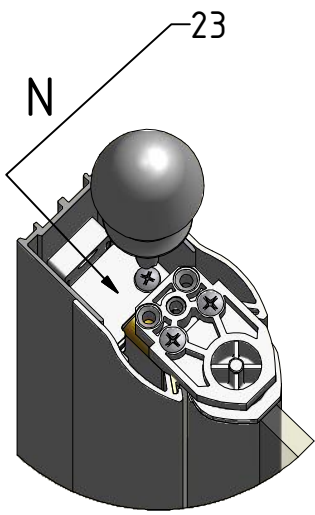


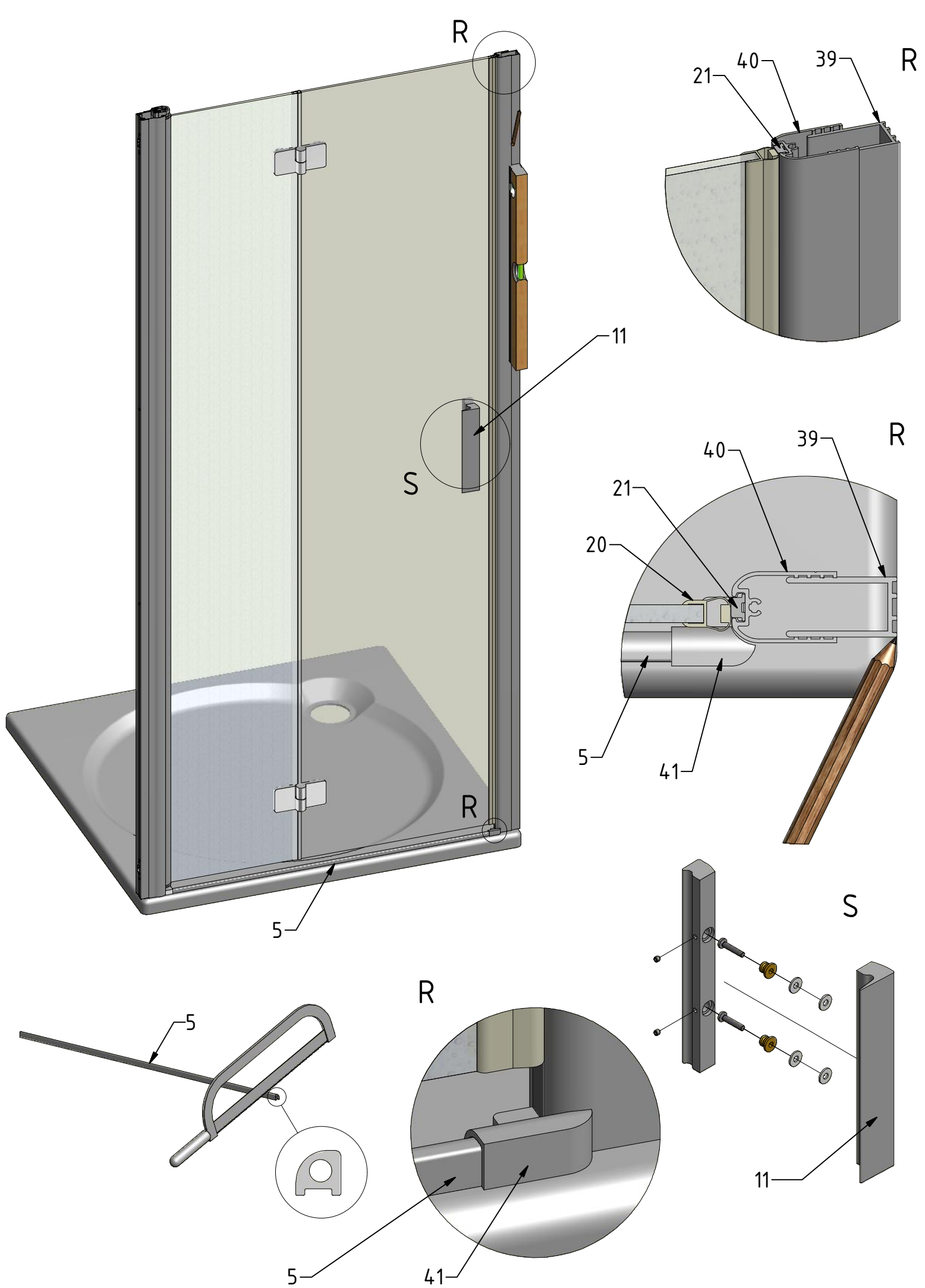


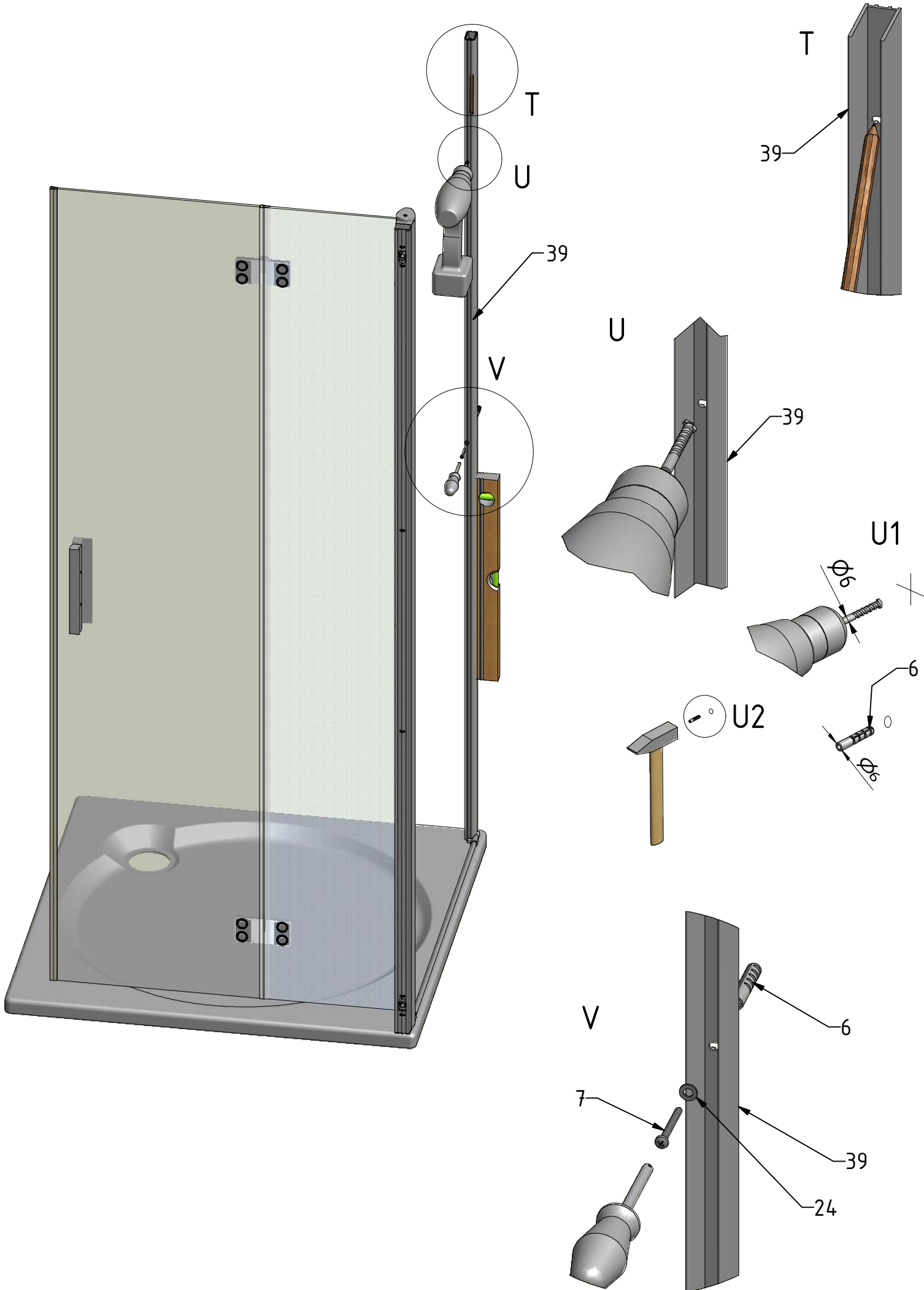


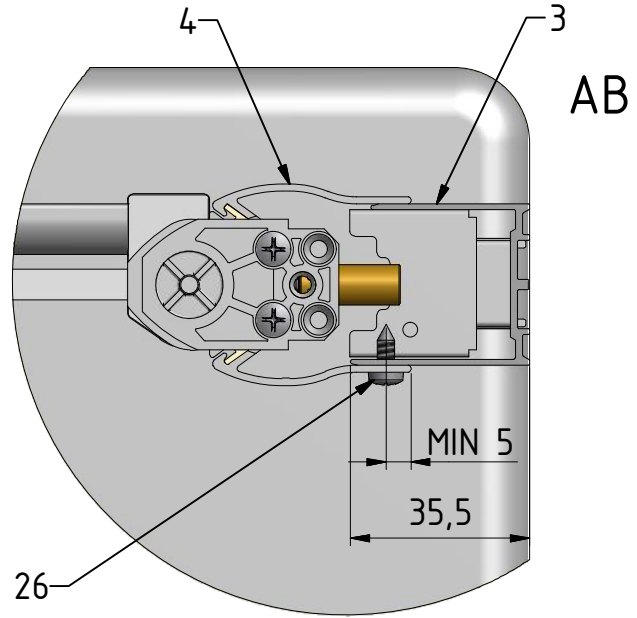
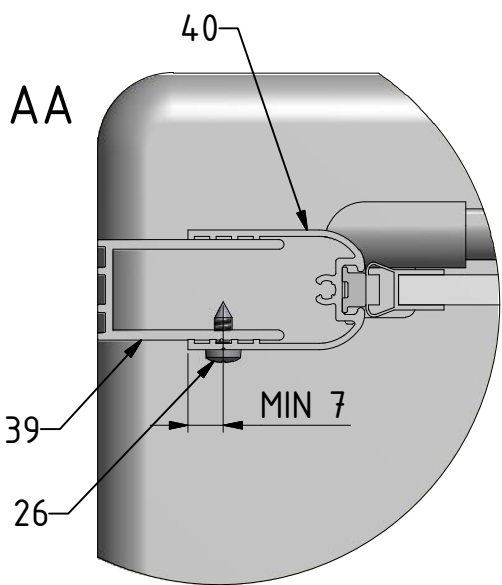
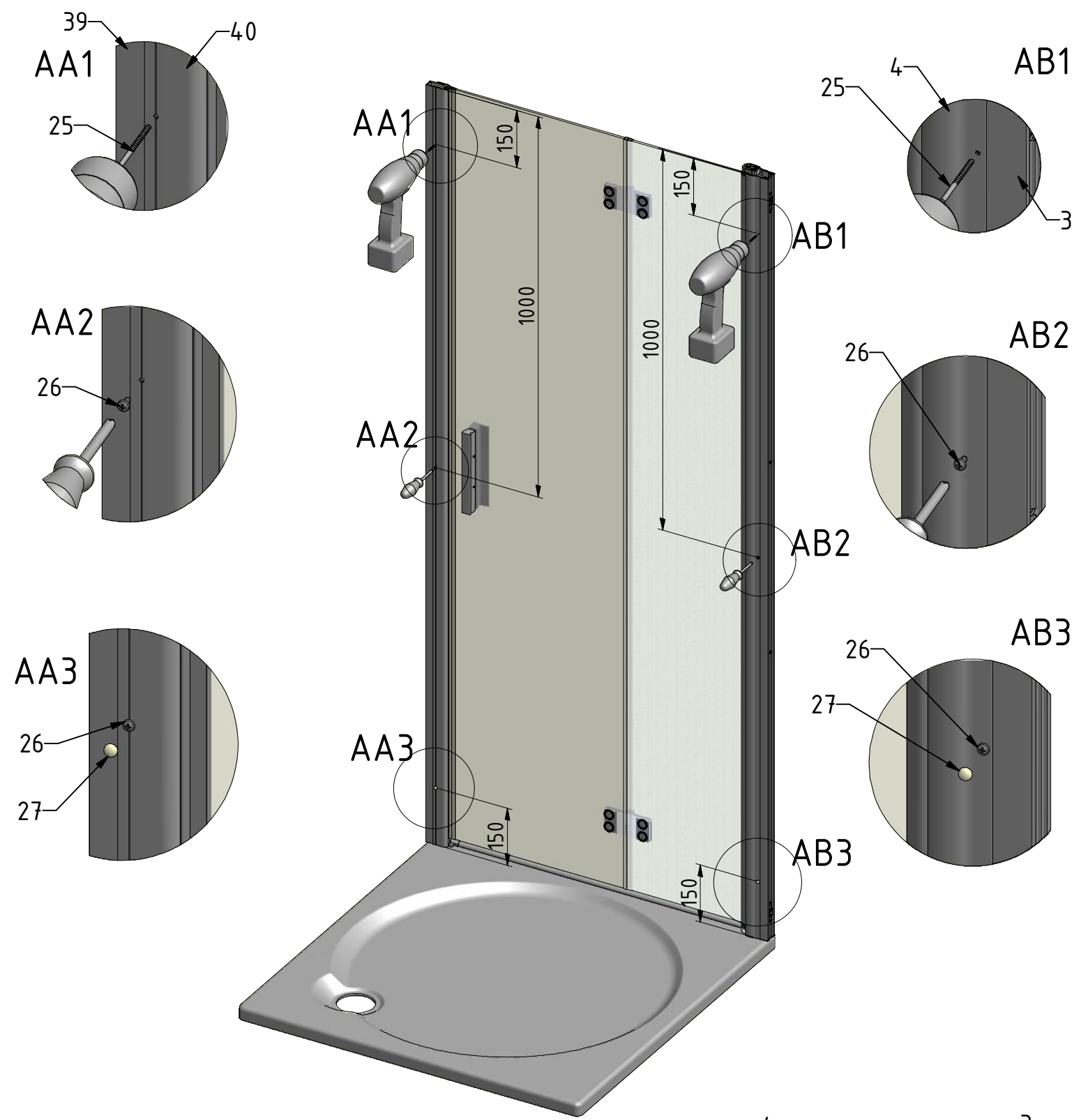


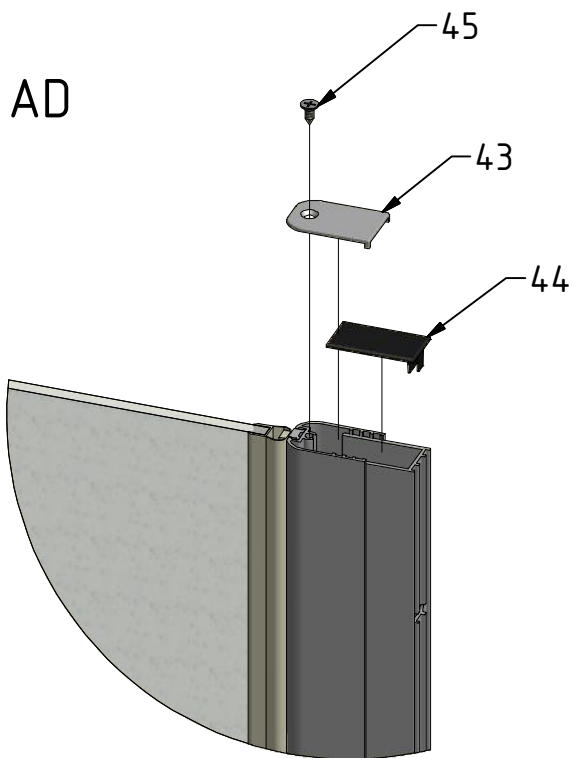
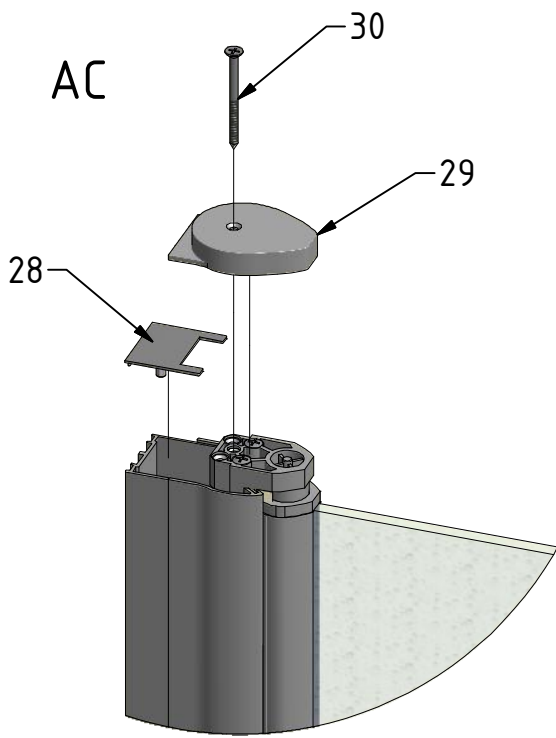




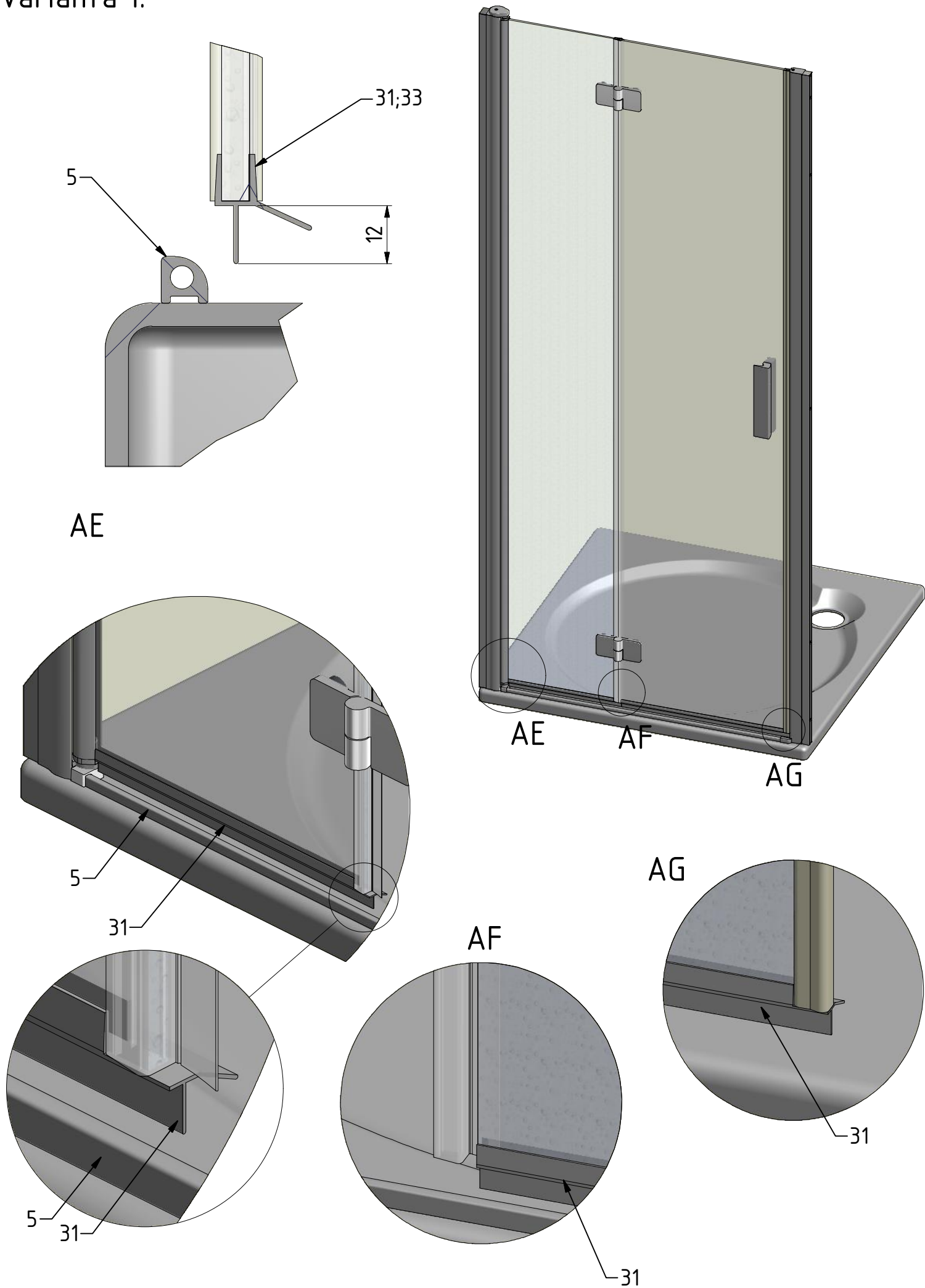






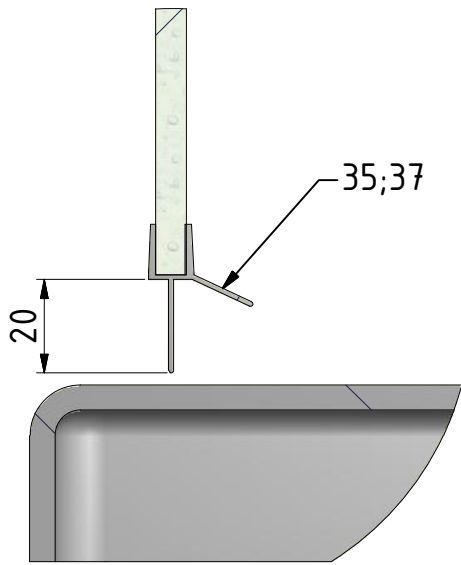


varianta I.





varianta II.



AH

AH

AI

AJ

AJ

35

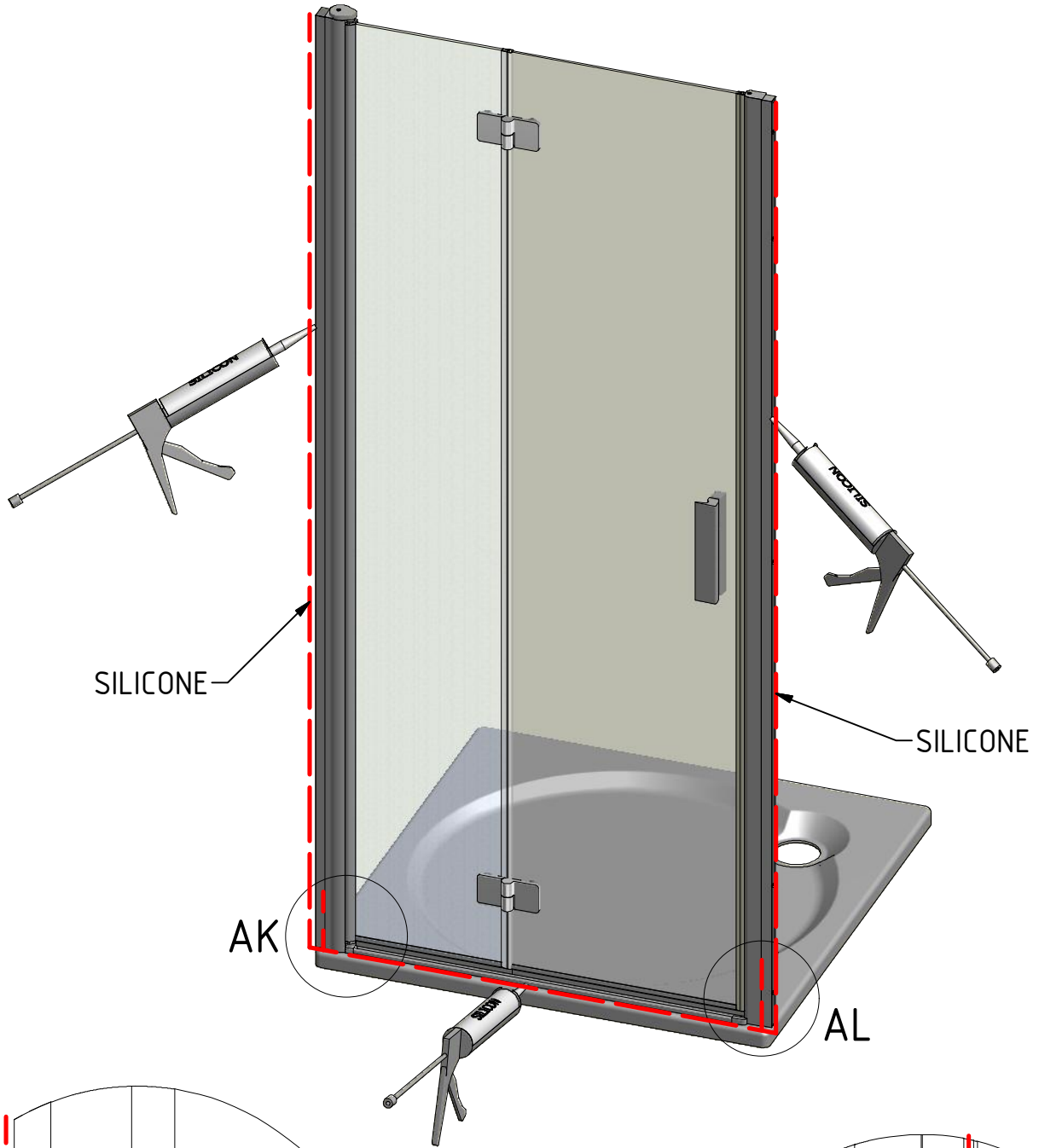
AI

35

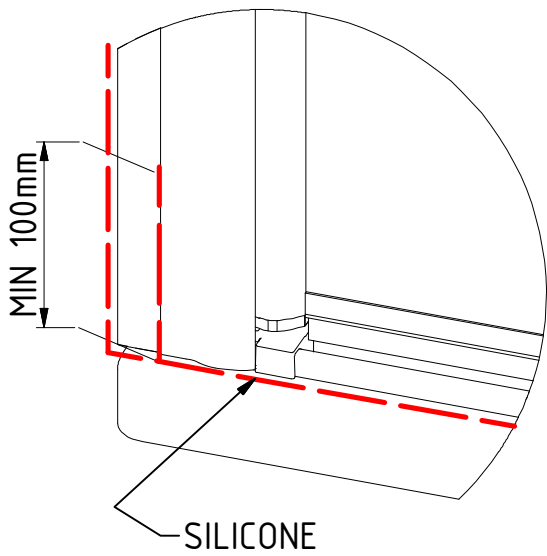
35

35

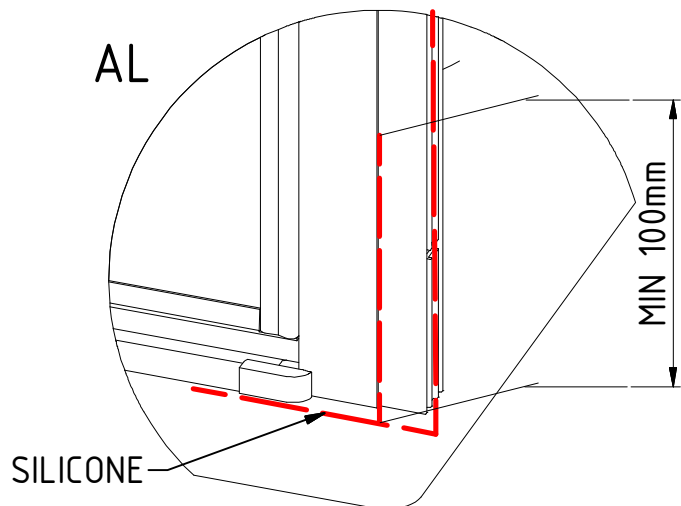
varianta I.



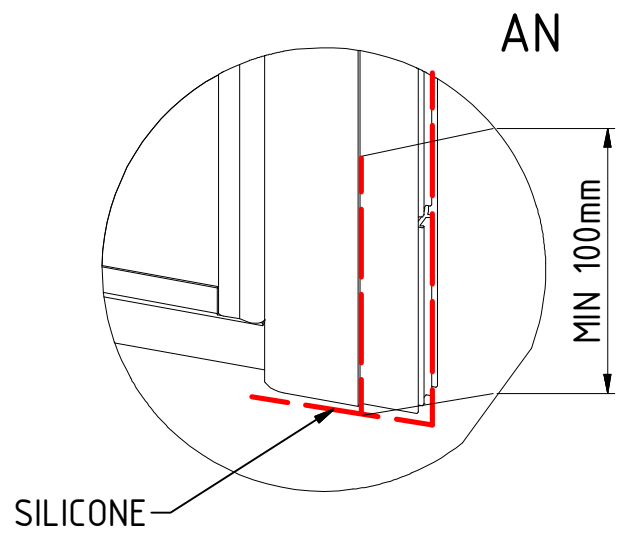
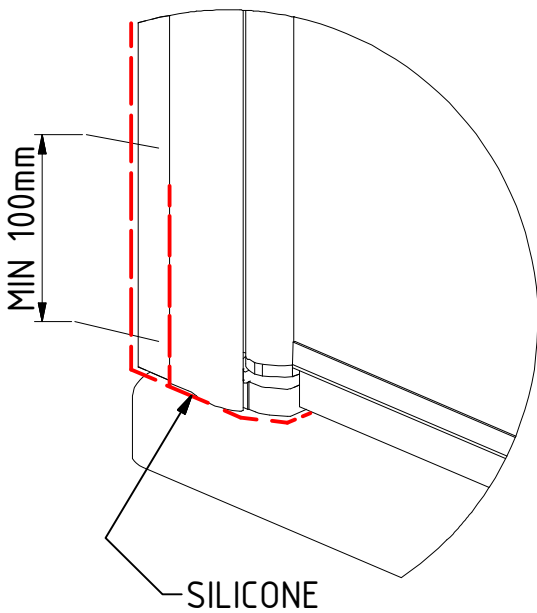
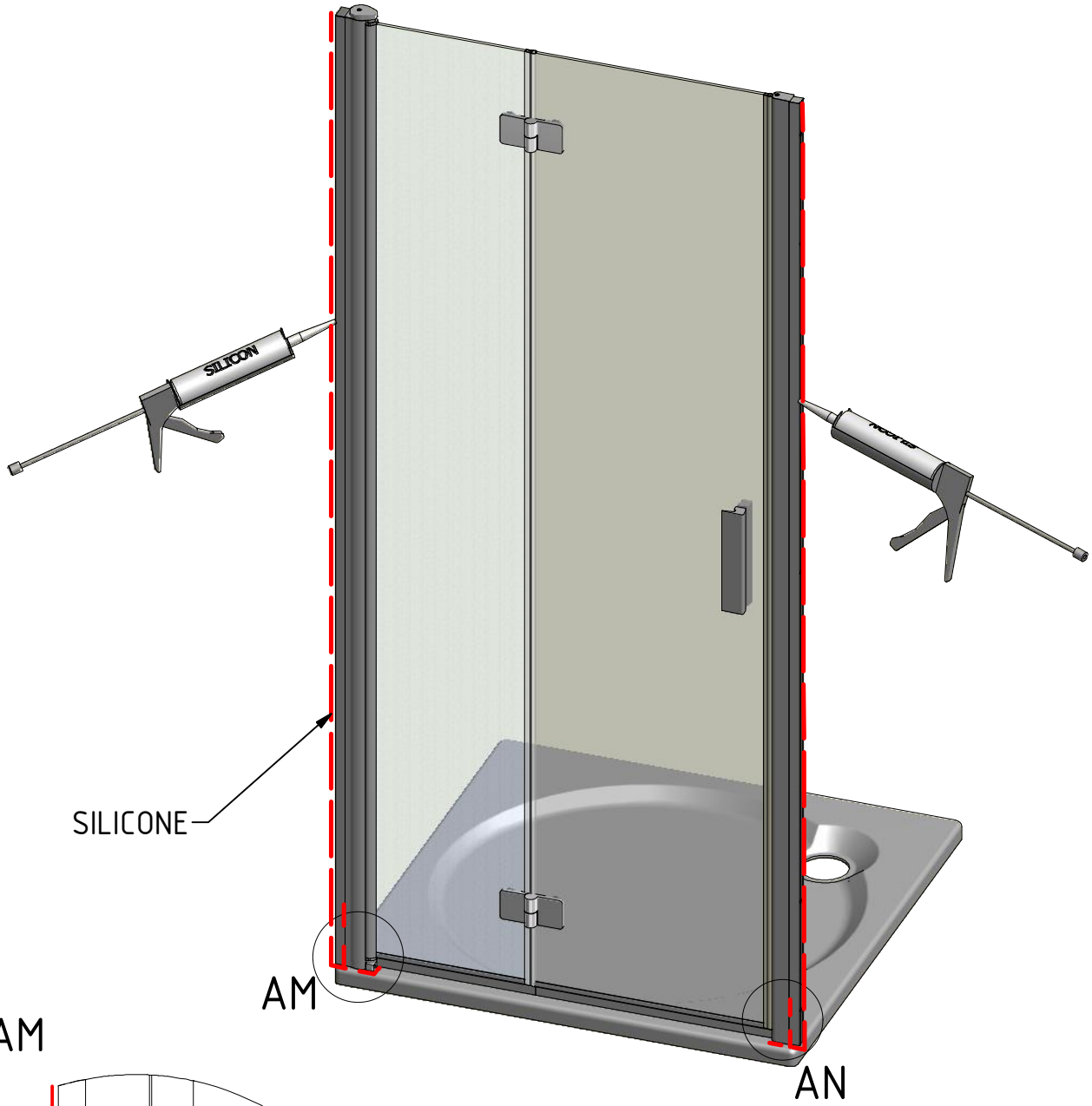
AK

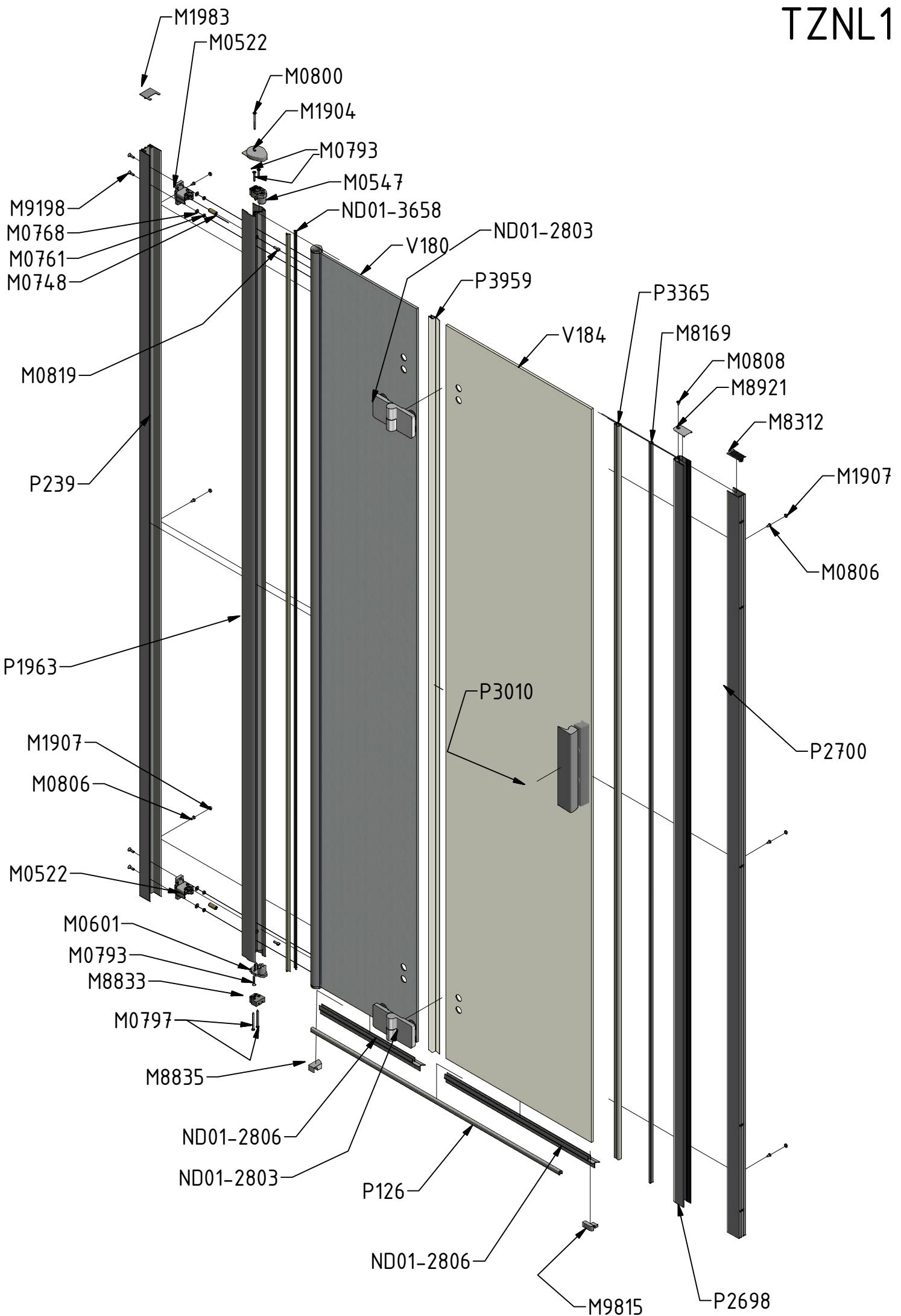


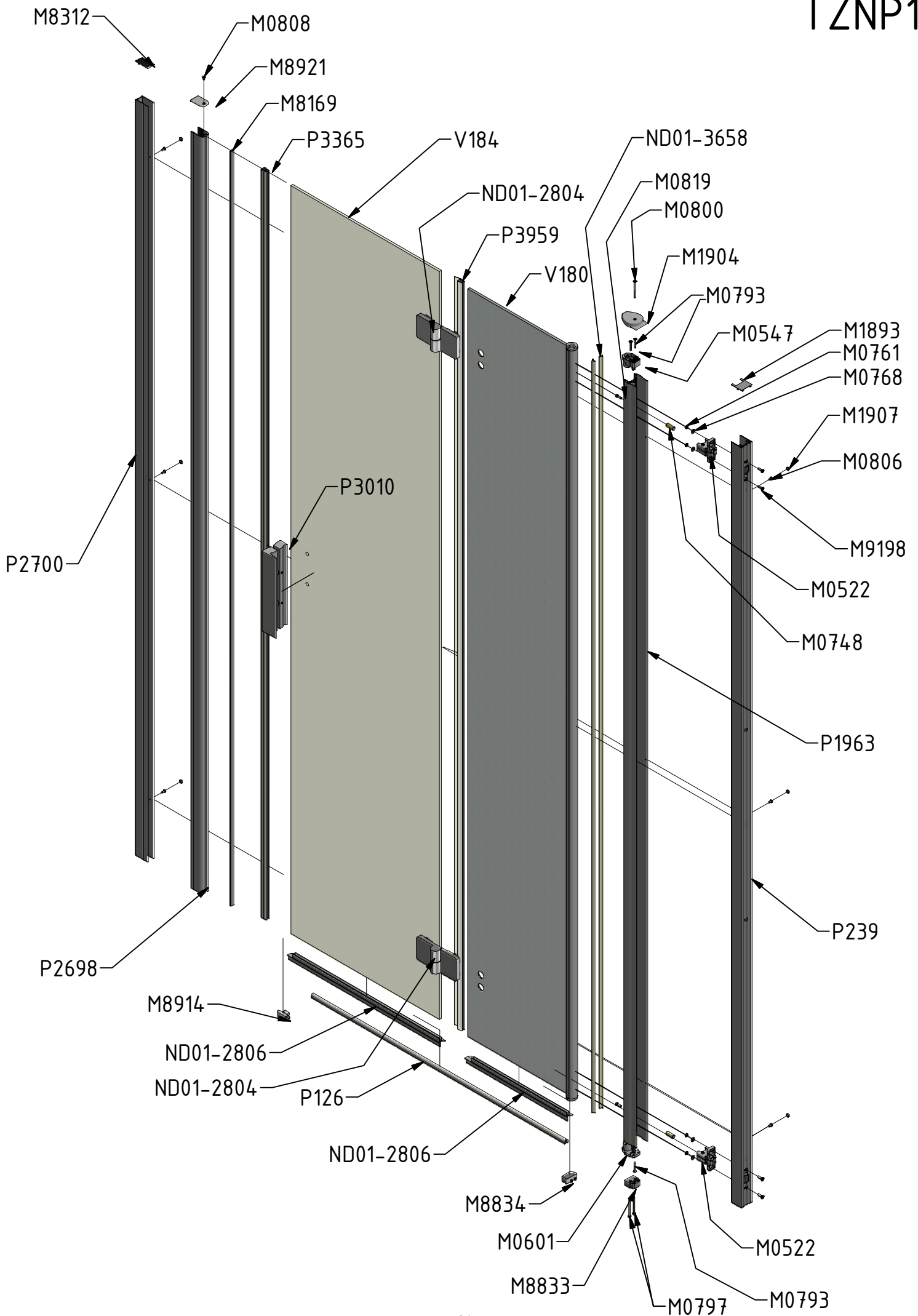
AL



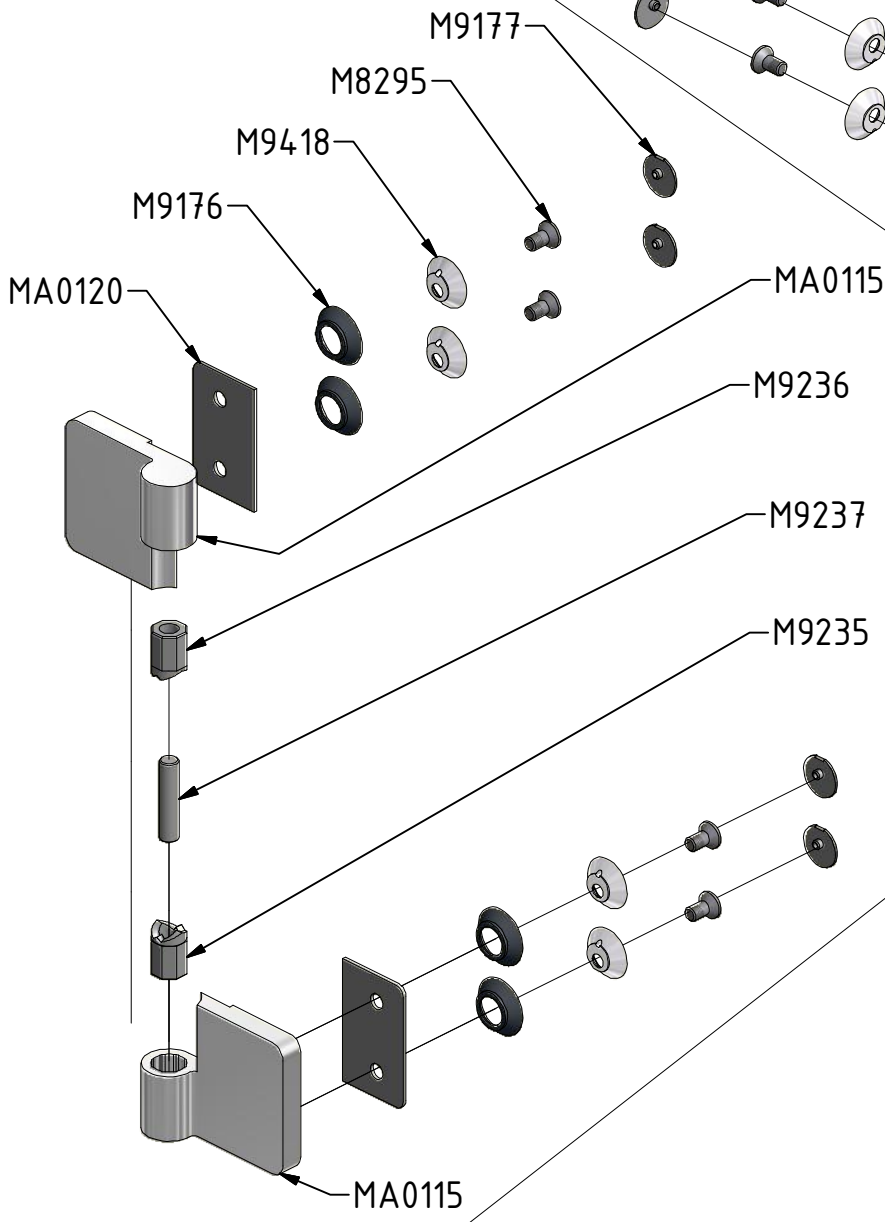
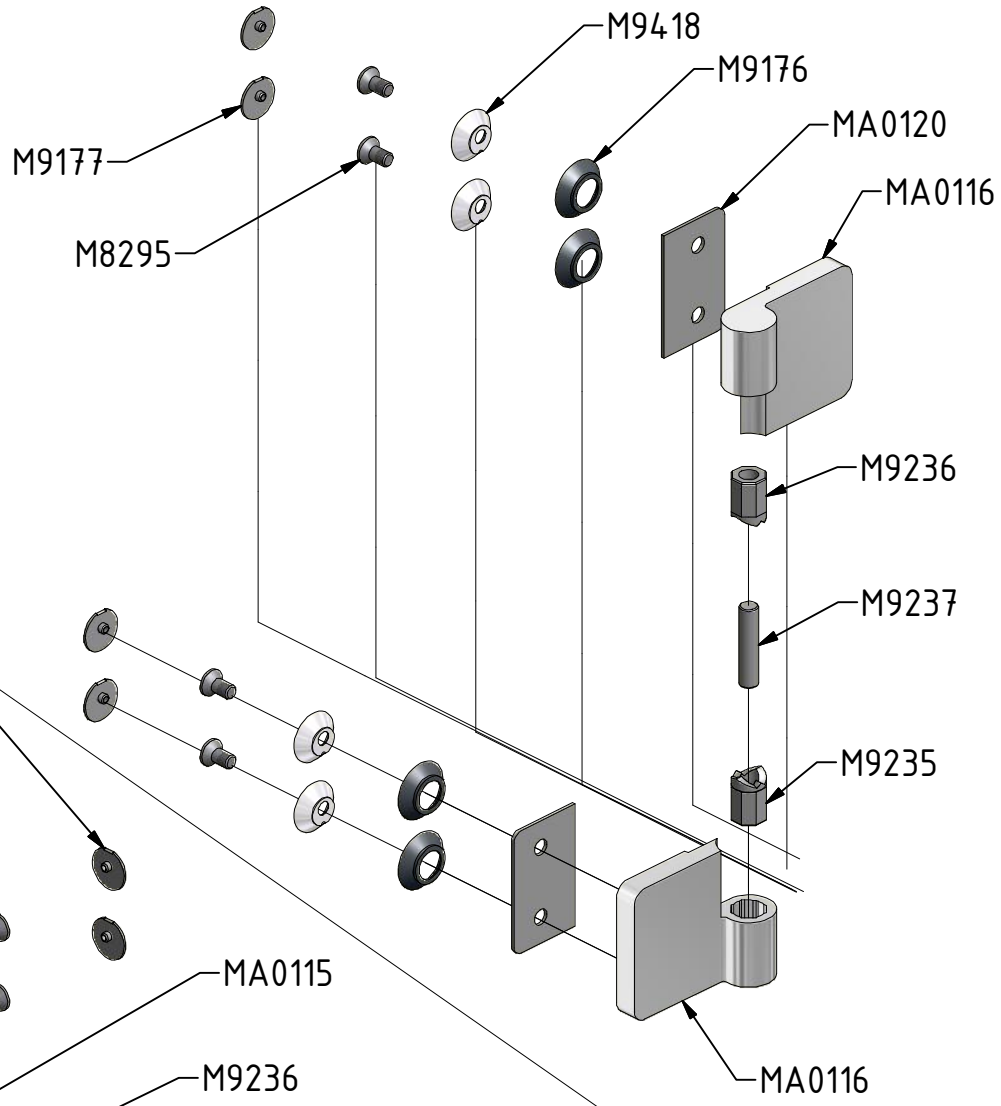
varianta II.





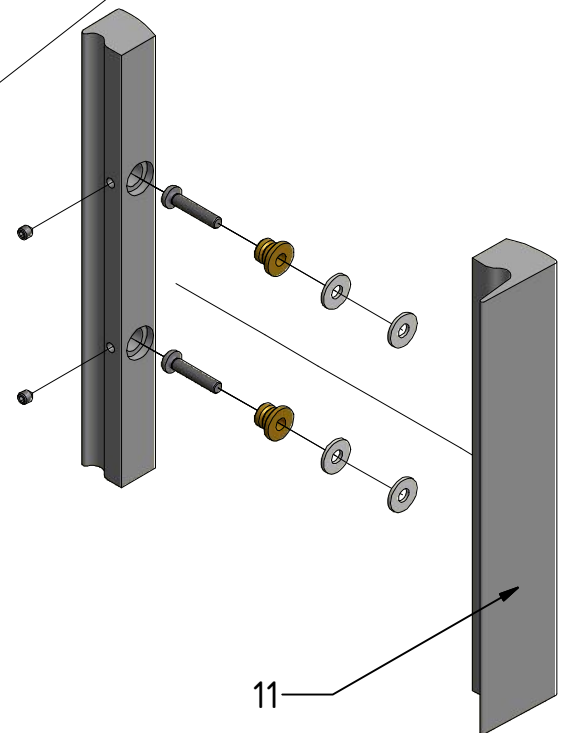


ND01-2803



ND01-2804

P3010



V184	800;900	clear glass	čiré sklo	ND02-0747-00-02
	1000;1100	clear glass	čiré sklo	ND02-0748-00-02
	1200	clear glass	čiré sklo	ND02-0749-00-02
V180	800	brillant+clear glass	brillant+čiré sklo	ND02-0751-00-02
	900;1000	brillant+clear glass	brillant+čiré sklo	ND02-0752-00-02
	1100;1200	brillant+clear glass	brillant+čiré sklo	ND02-0753-00-02
P126	800			ND01-2805-8
	900			ND01-2805-9
	1000			ND01-2805-1
	1100			ND01-2805-11
	1200			ND01-2805-12
P239		brillant		P3361
		stříbro		P3927

