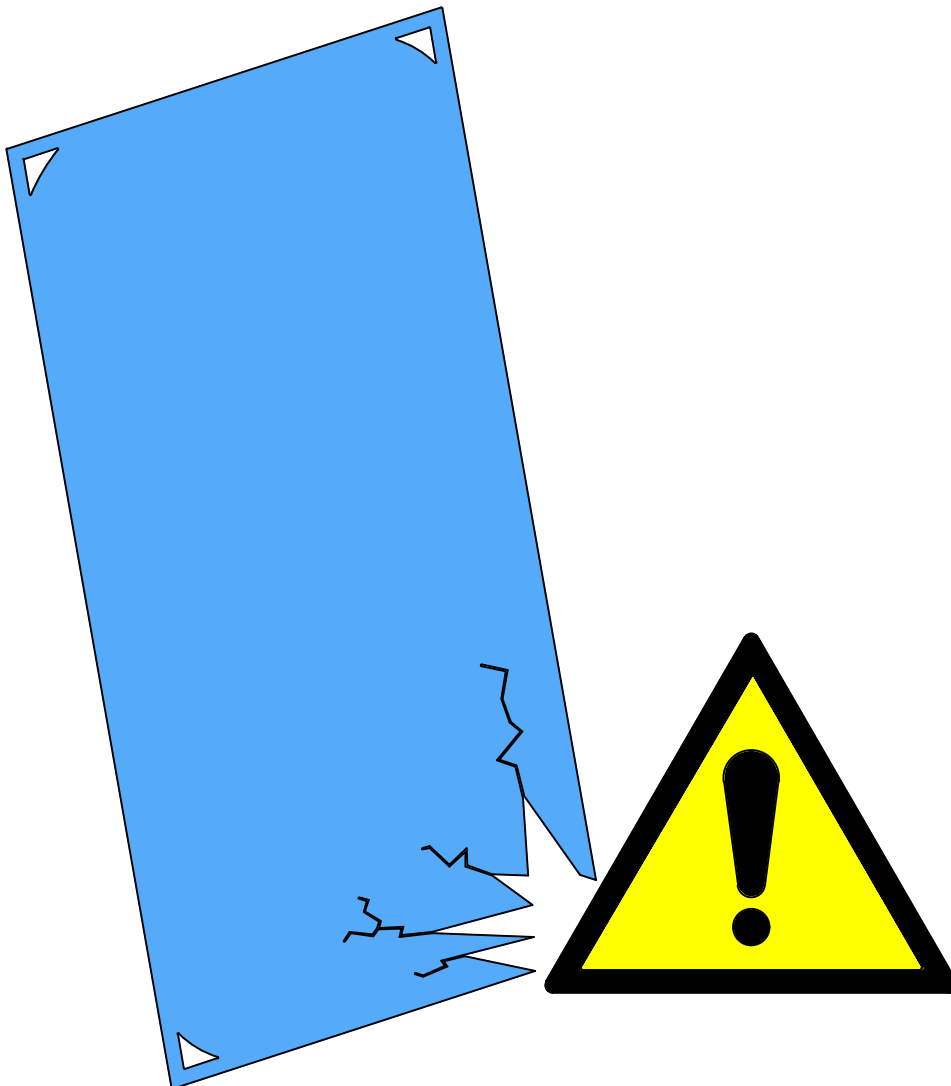
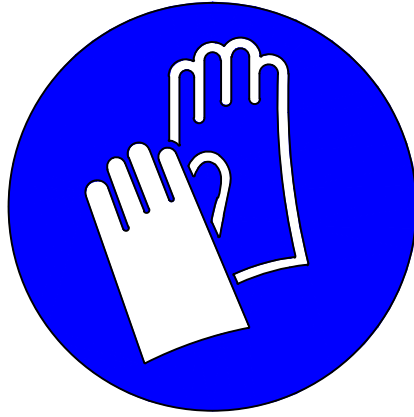
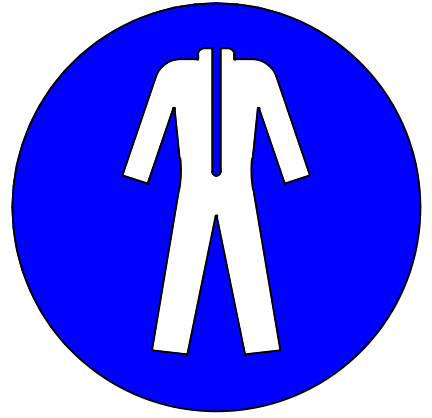
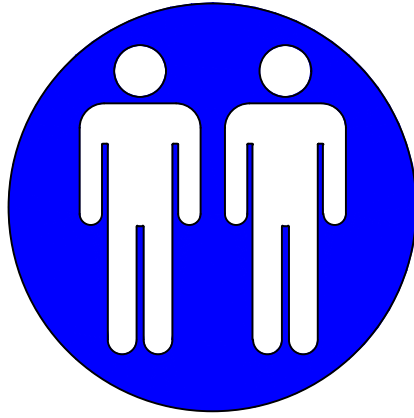
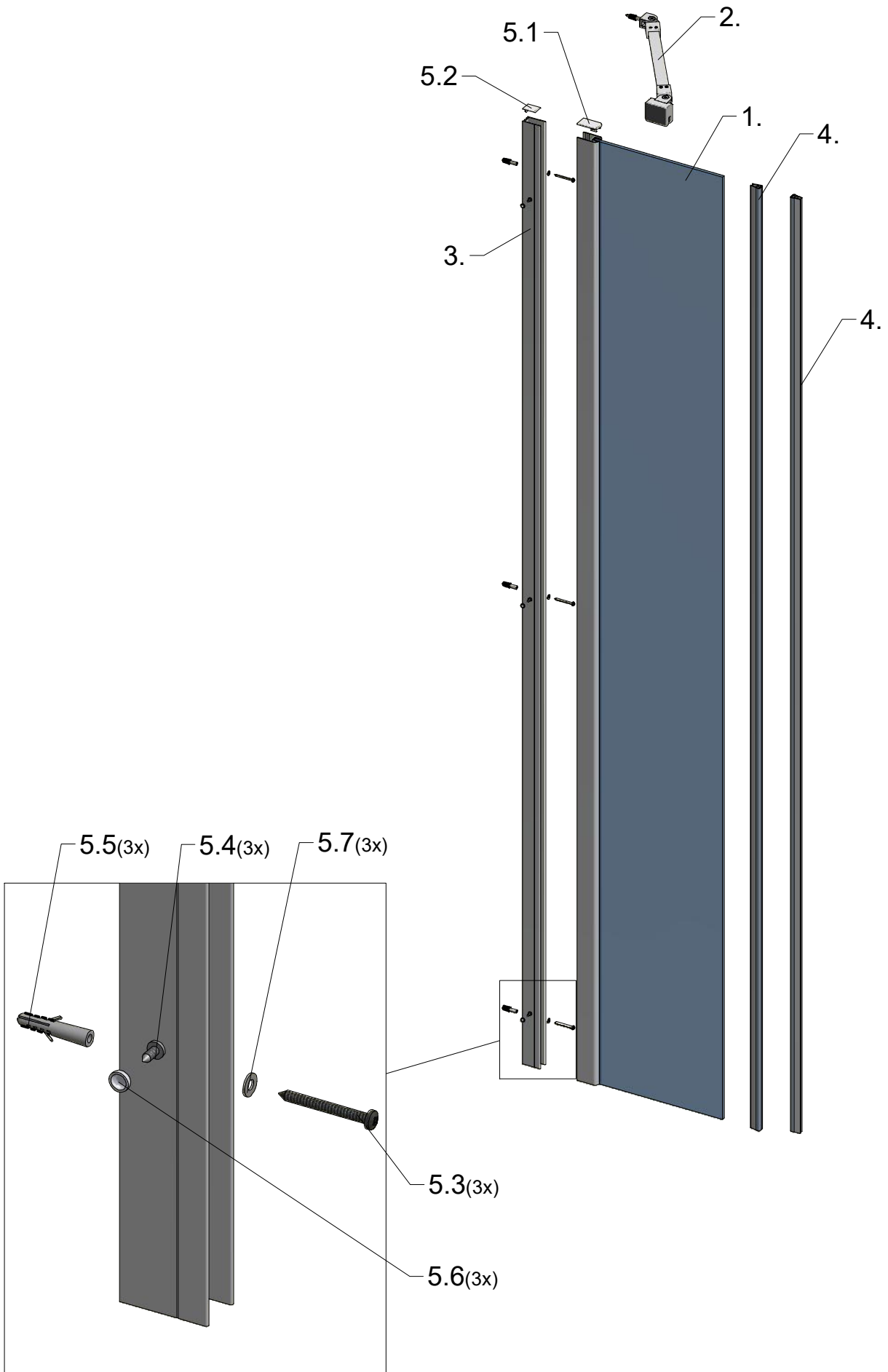


**Assembling Instruction**  
**Montageanleitung**  
**Notice de montage**  
**Montážní návod**




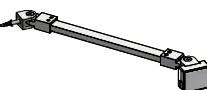

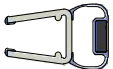
*Shower for life*

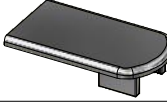










# CI FXO

# 5. P6146 (VPE) P6872 (NPE)

POS.	PREVIEW	PCS	SPARE PART
1.		1	V296
2.		1	P313
3.		1	P5879 (VPE) P6865 (NPE)
4.		2	P6255
5.	ACCESSORIES	1	P6146 (VPE) P6872 (NPE)

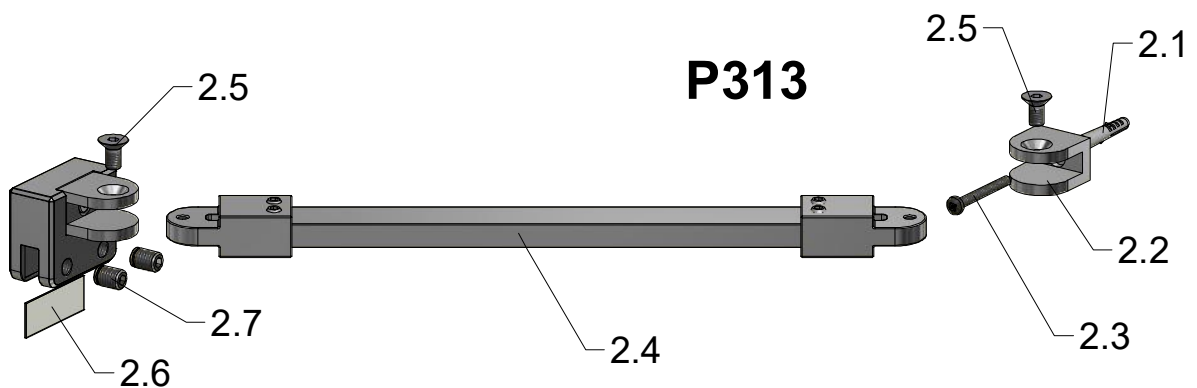
POS.	PREVIEW	
5.1		
5.2		
5.3	3x	
5.4	3x	
5.5	3x	
5.6	3x	
5.7	3x	

## 1. V296

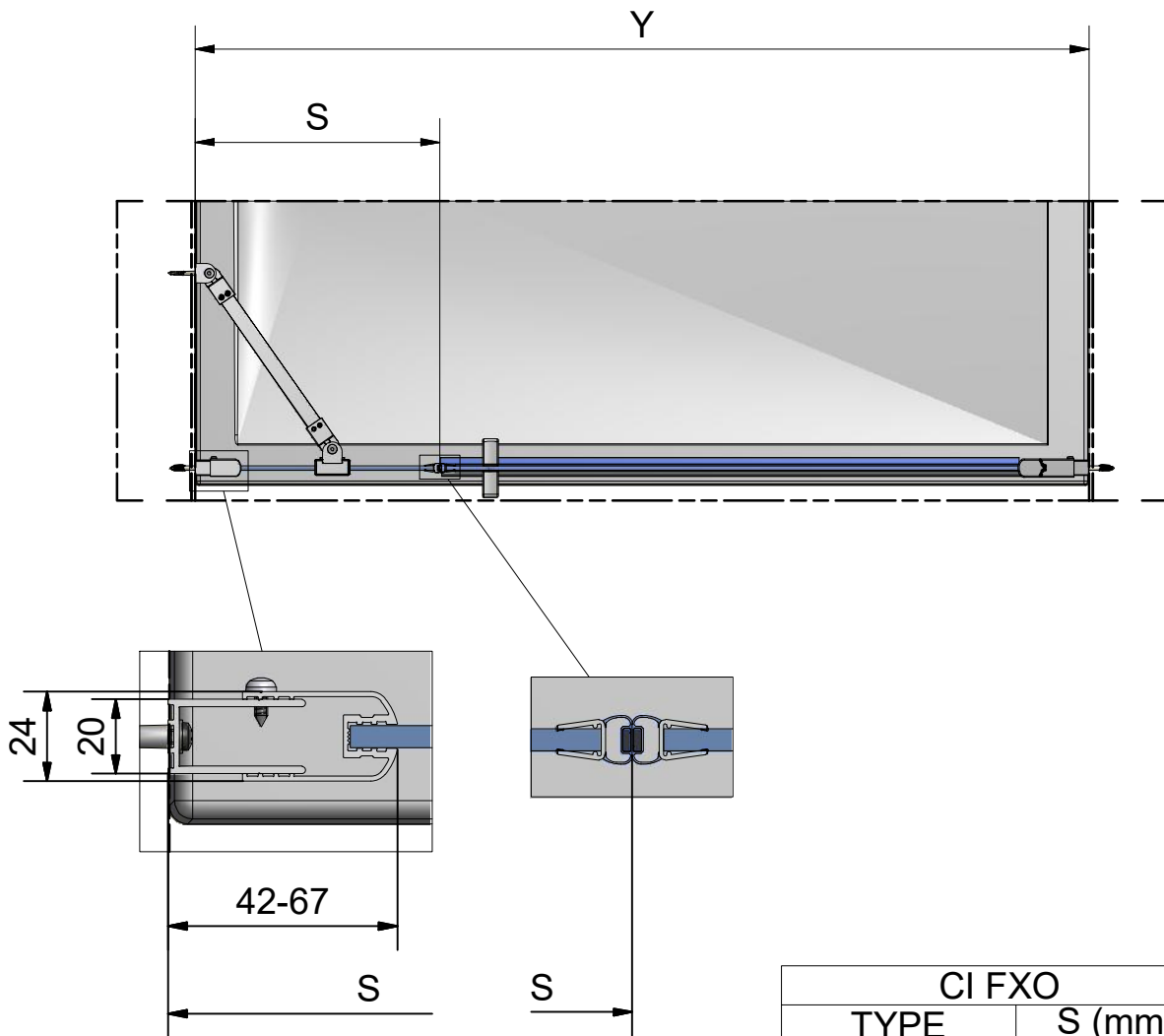
SIZE	clear glass+black	clear glass+brillant
230	ND03-0908-05-02	ND03-0908-00-02
330	ND03-0909-05-02	ND03-0909-00-02
430	ND03-0936-05-02	ND03-0936-00-02
530	ND03-0910-05-02	ND03-0910-00-02
630	ND03-0937-05-02	ND03-0937-00-02

## 2. P313

SIZE	black	brillant
230;330	MB2387	MB0229
430;530	MB2388	MB0230
630	MB2389	MB0231



# CI FXO + CI PIG



CI FXO	
TYPE	S (mm)
CI FXO 230	209-234
CI FXO 330	309-334
CI FXO 430	409-434
CI FXO 530	509-534
CI FXO 630	609-634

CI FXO + CI PIG					
TYPE	S(MIN-MAX)	Y(CI PIG 750)	Y(CI PIG 800)	Y(CI PIG 900)	Y(CI PIG 1000)
CI FXO 230	209-234	910-960	960-1010	1060-1110	1160-1210
CI FXO 330	309-334	1010-1060	1060-1110	1160-1210	1260-1310
CI FXO 430	409-434	1010-1160	1160-1210	1260-1310	1360-1410
CI FXO 530	509-534	1210-1260	1260-1310	1360-1410	1460-1510
CI FXO 630	609-634	1310-1360	1360-1410	1460-1510	1560-1610

Next step in instructions is for left installation  
(for right installation - proceed in a mirror image)

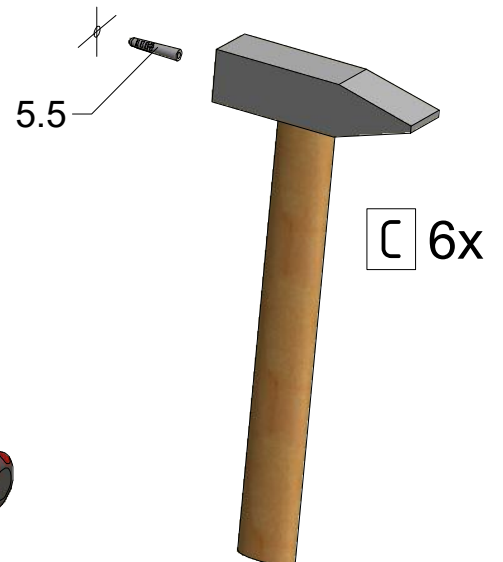
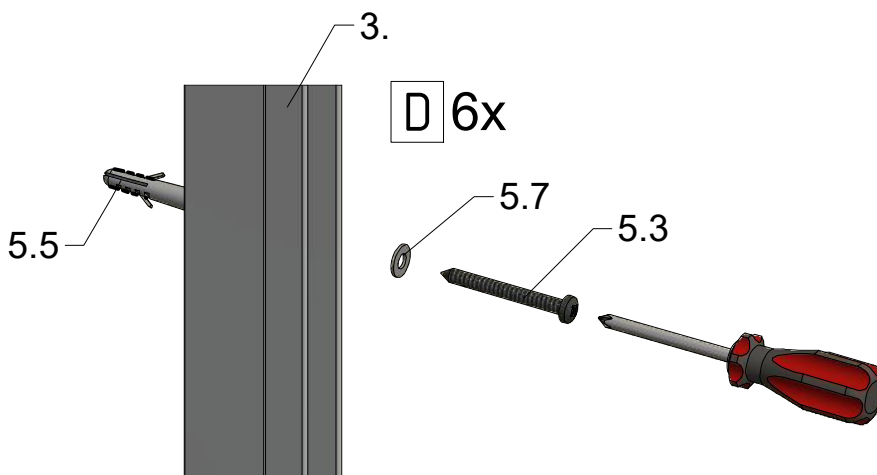
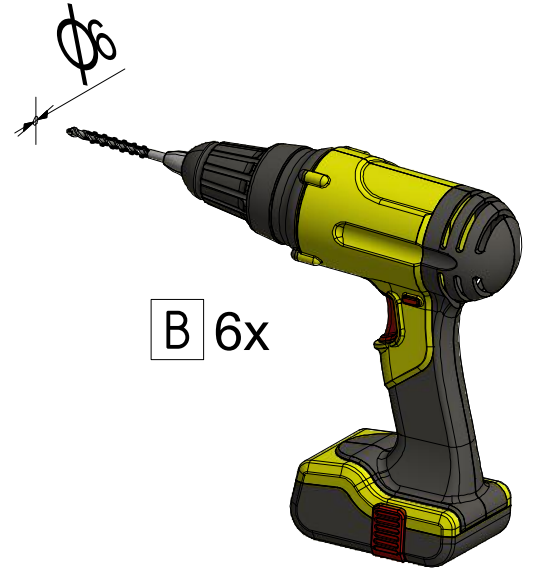
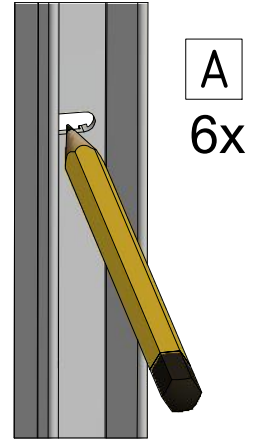
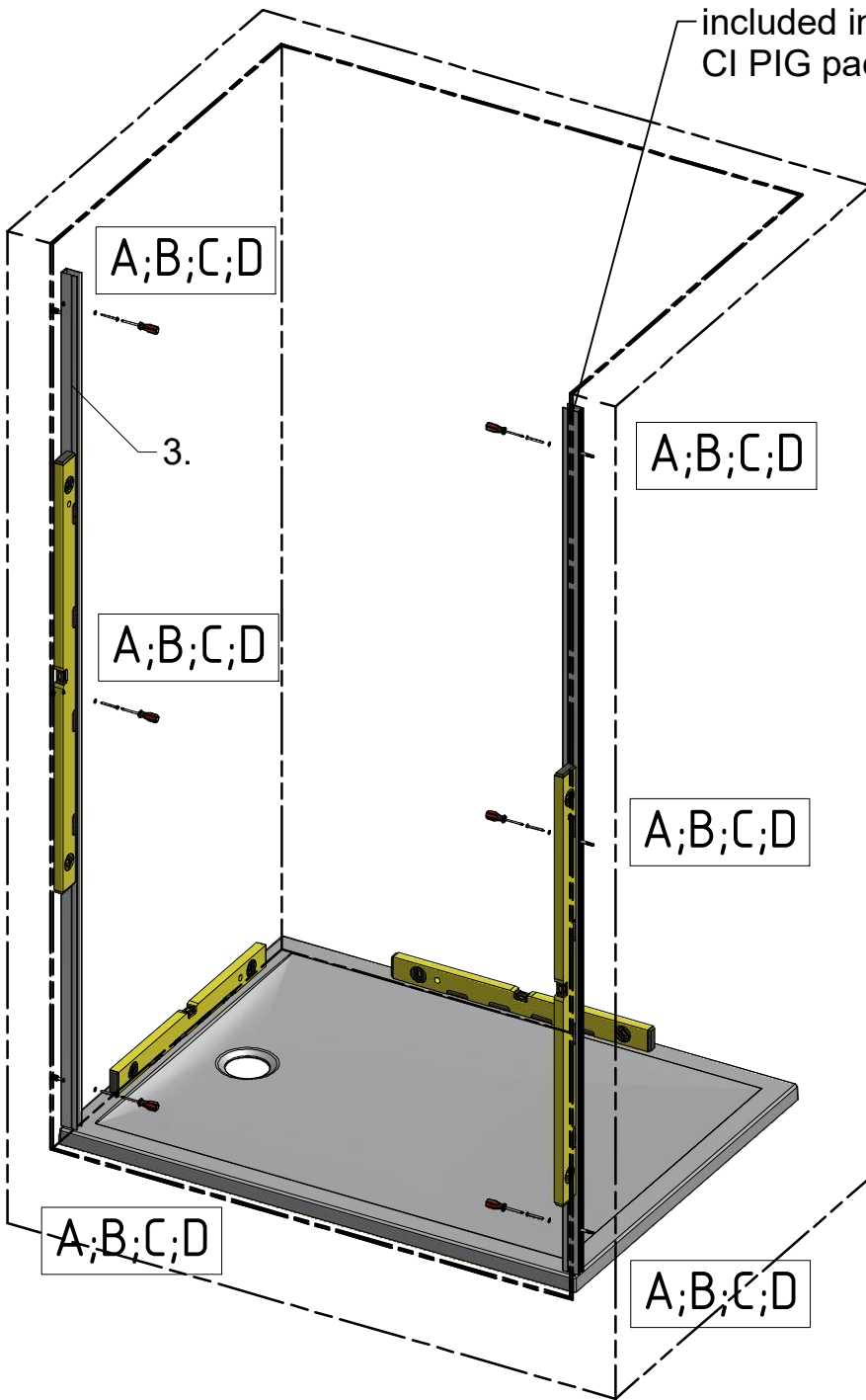
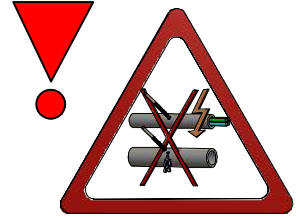


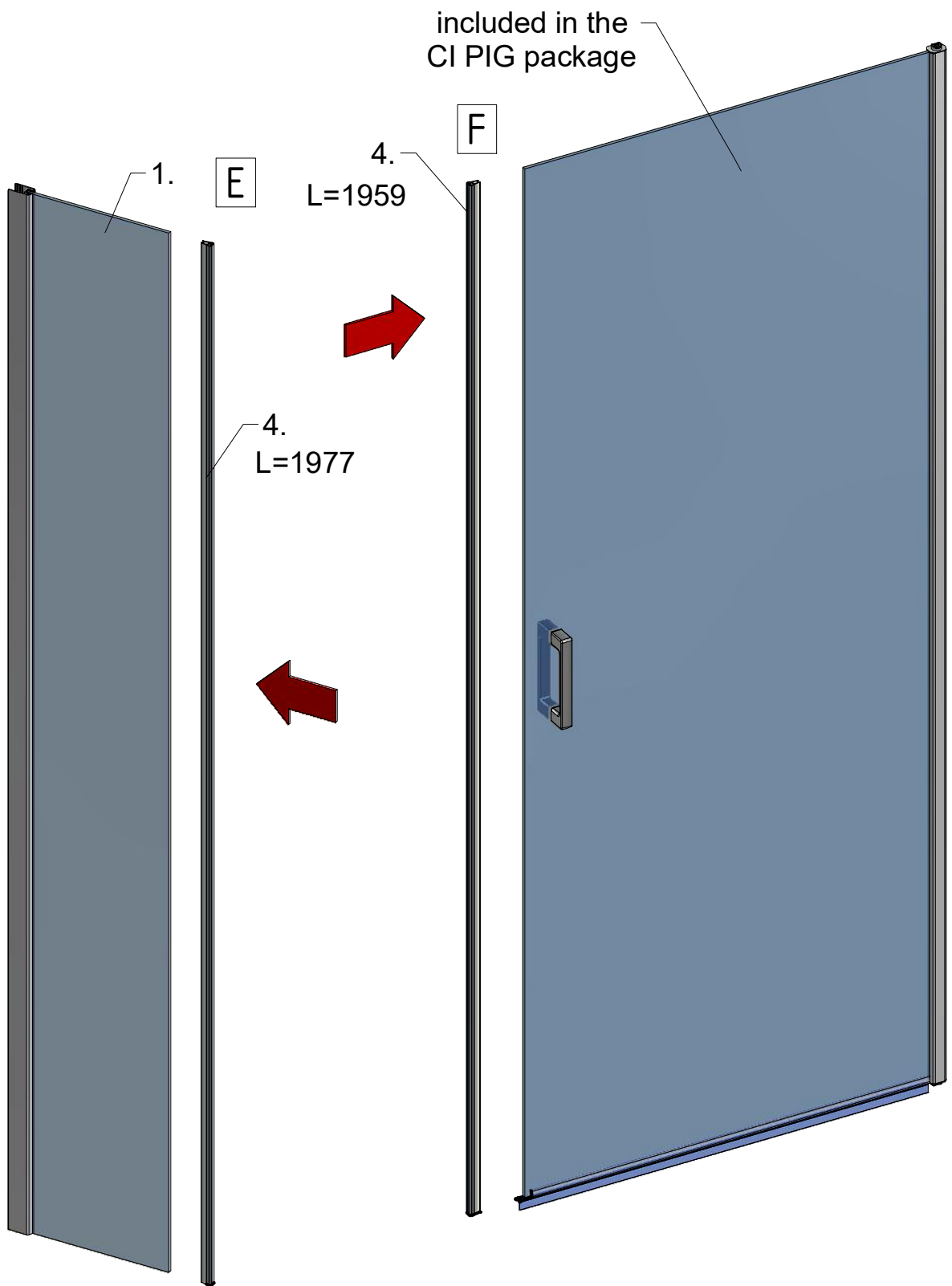
**LEFT Installation**  
**CI FXO + CI PIG**



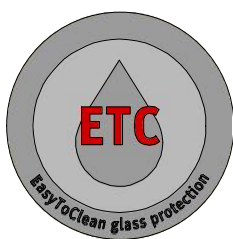
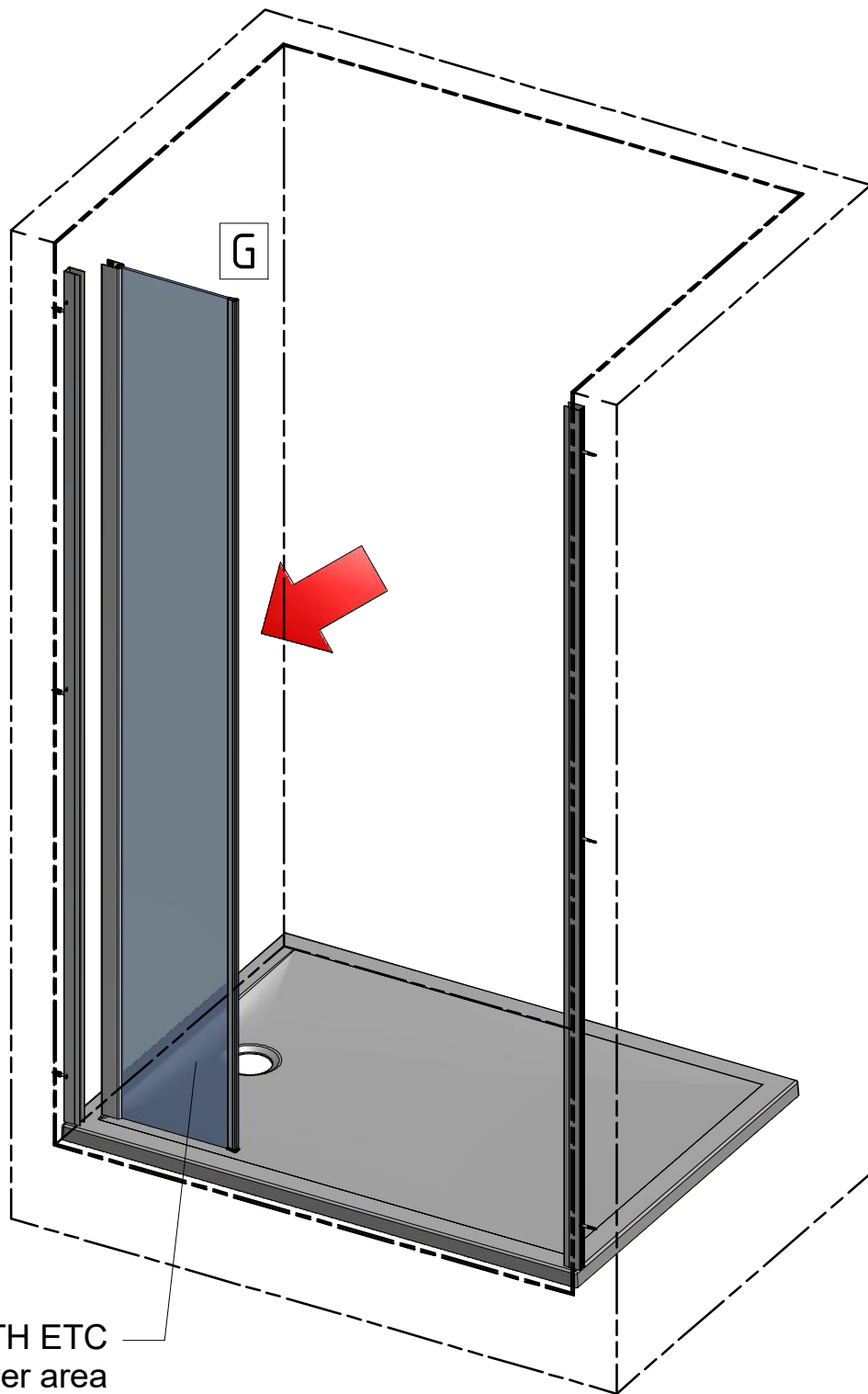
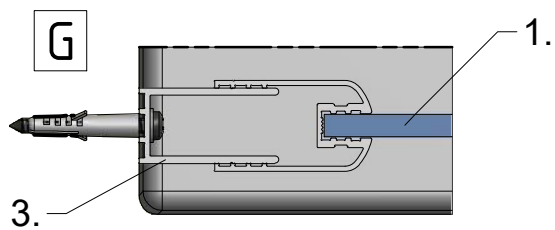
**RIGHT Installation**  
**CI FXO + CI PIG**

included in the  
CI PIG package



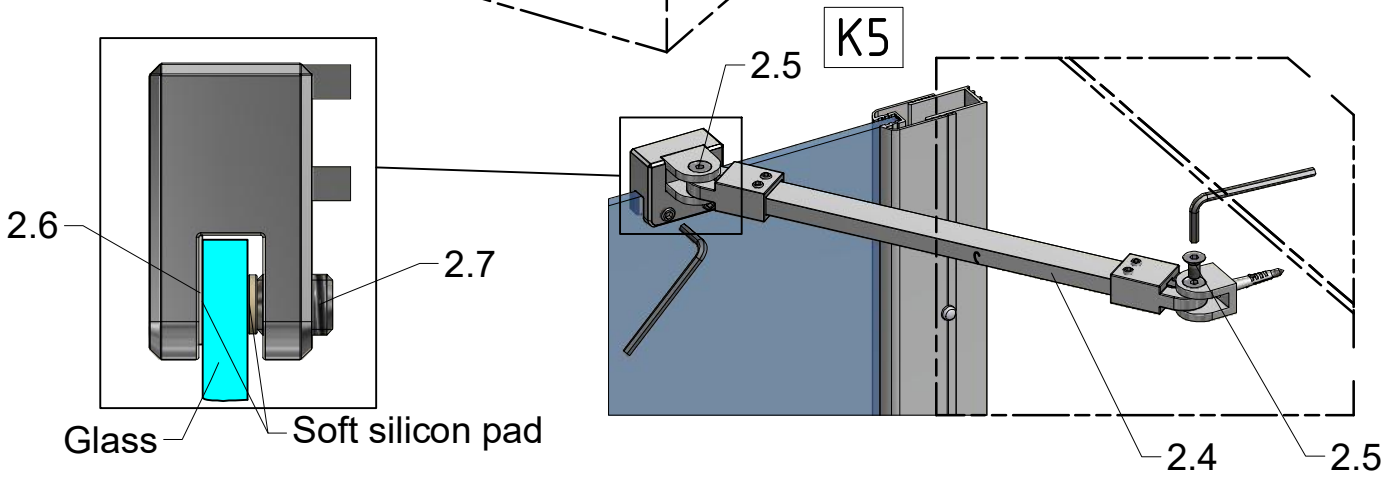
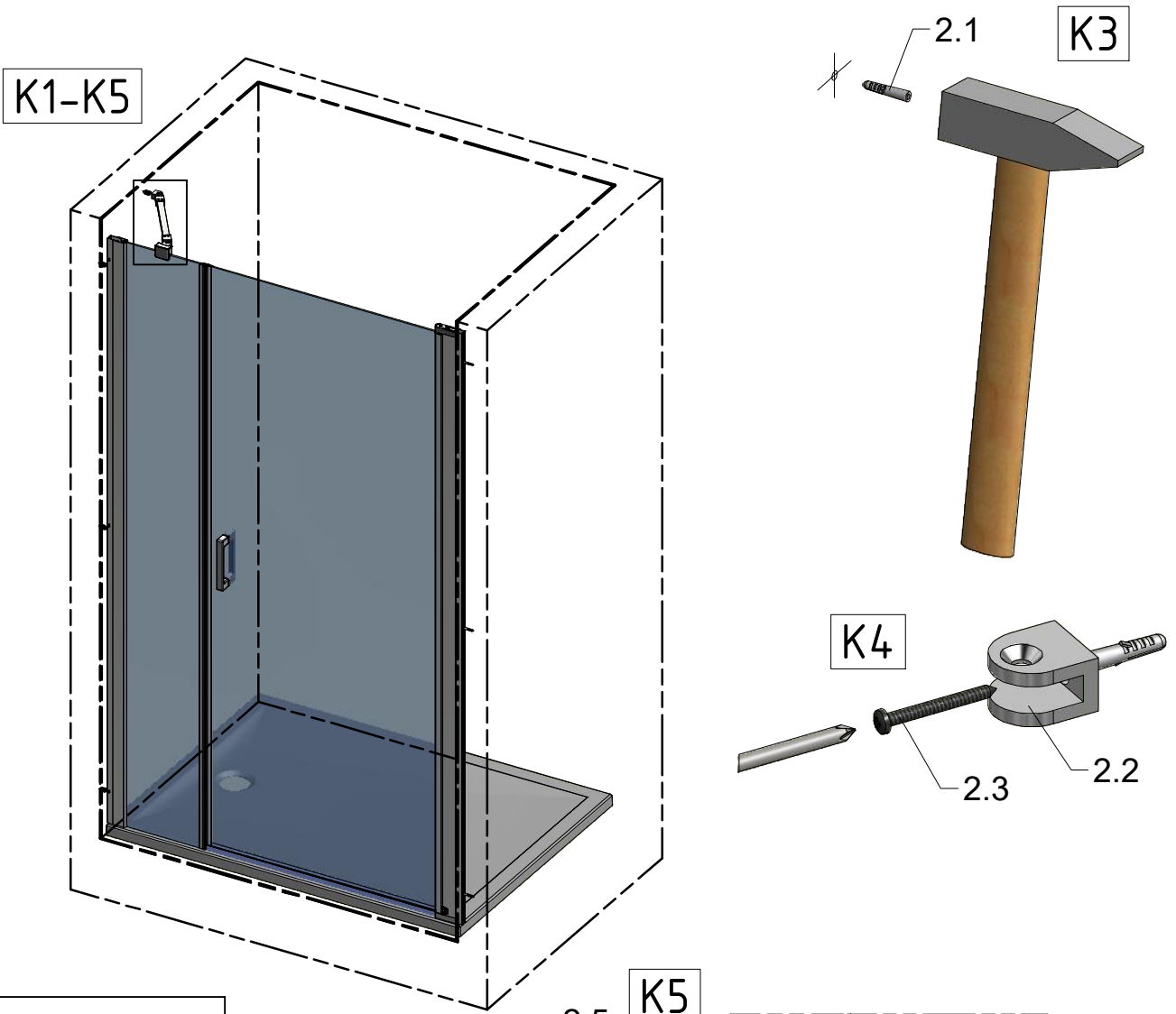
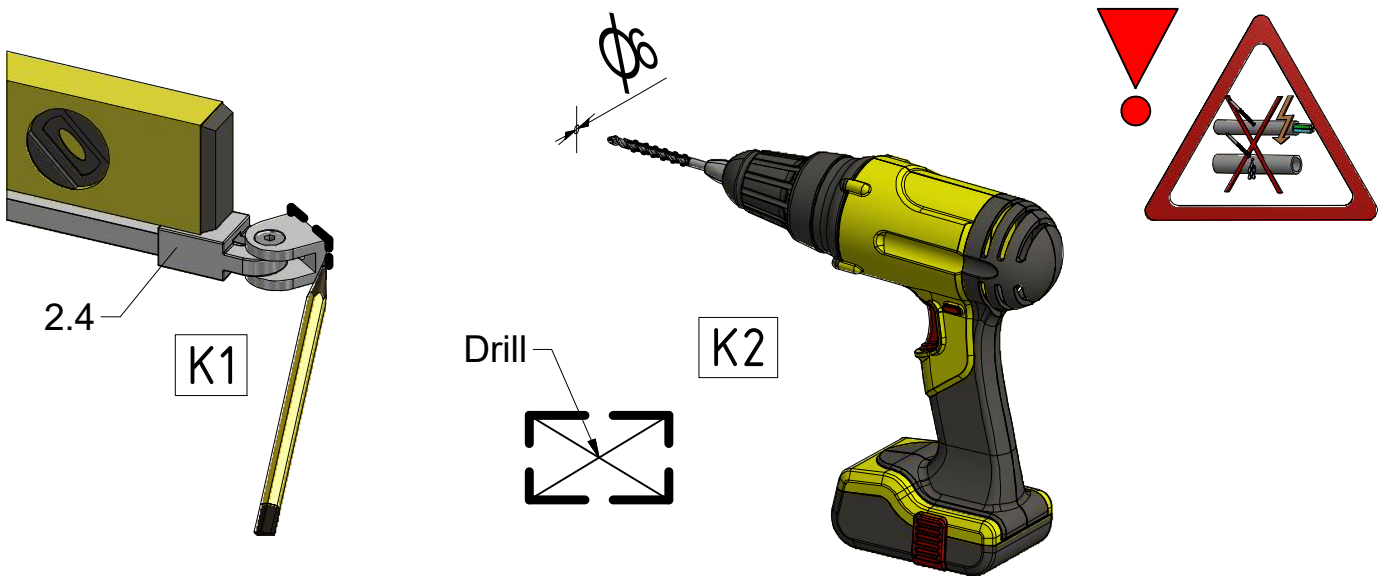


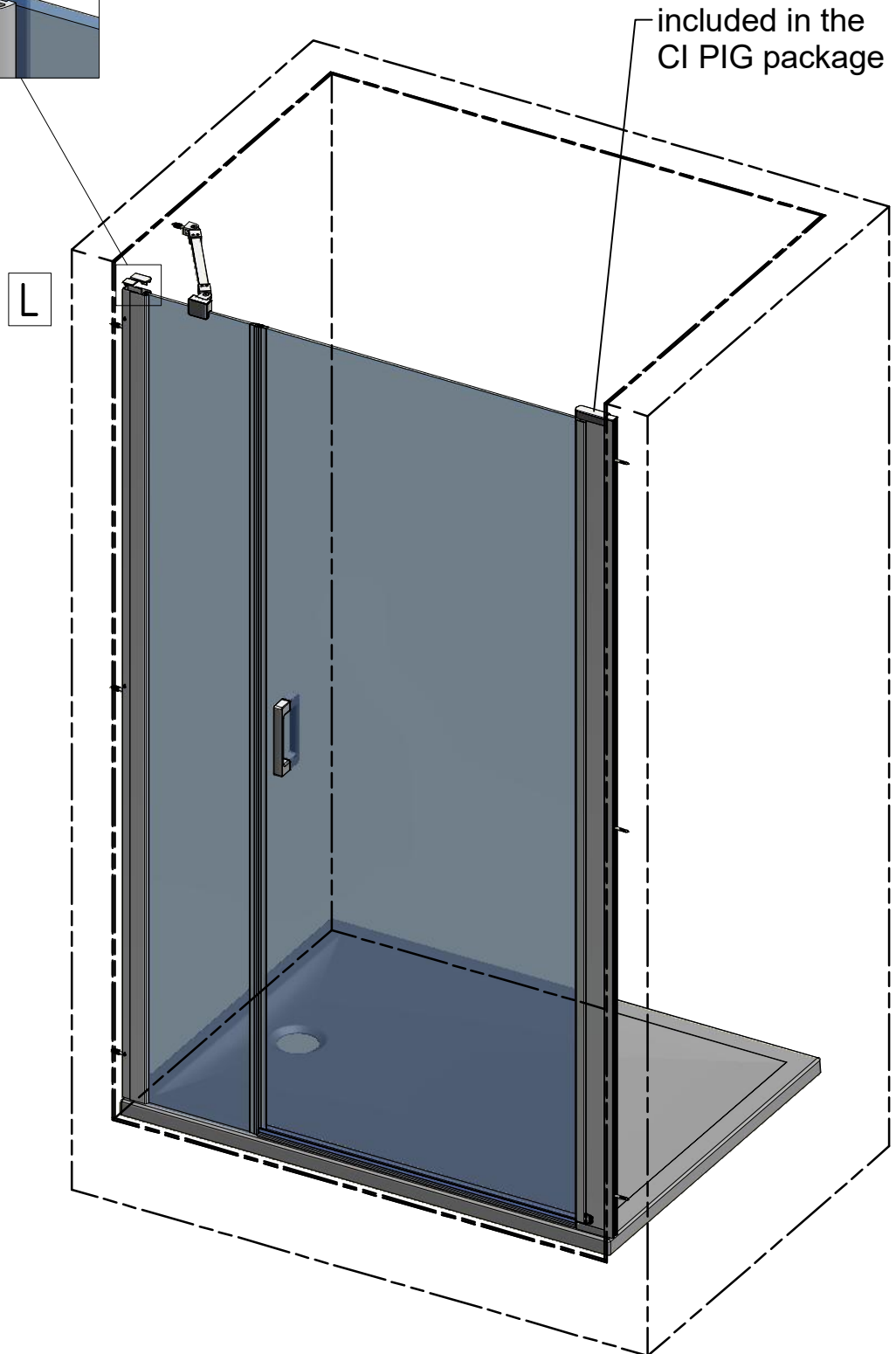
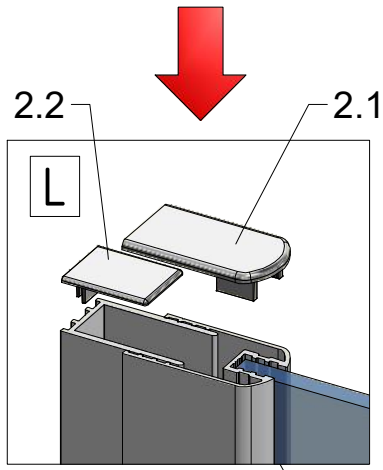




Protective layer ROTH ETC  
always in the shower area  
(designed for contact with water)

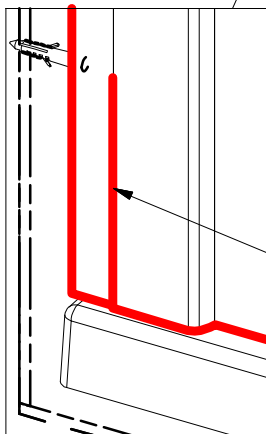
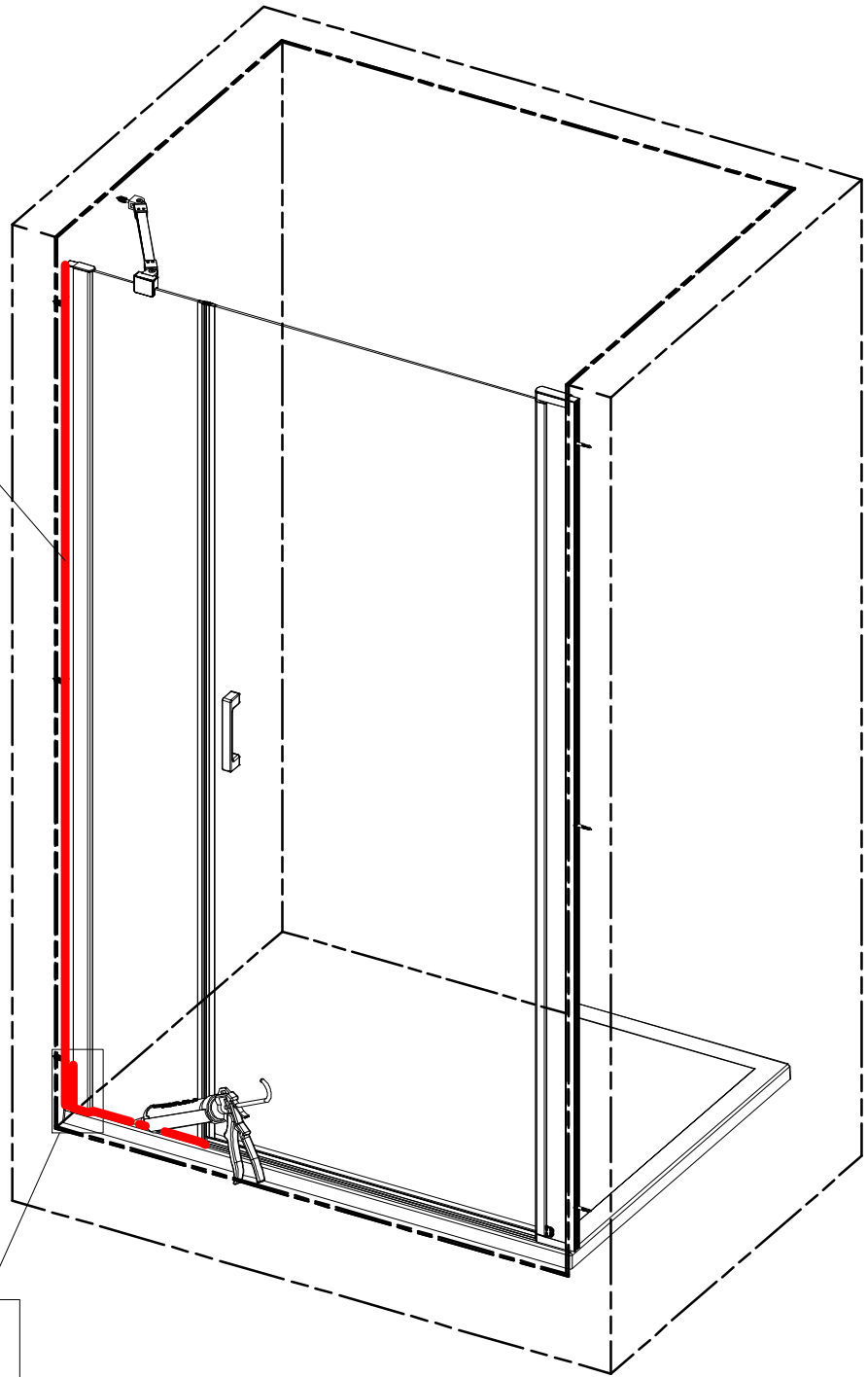








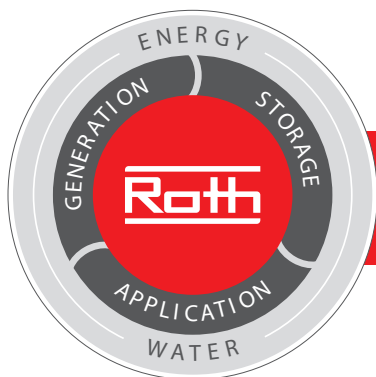
SILICONE



SILICONE  
MIN 100mm







## Roth Energy and Sanitary Systems

### Generation

- Solar systems <
- Heat pump systems <

### Storage

- Storage systems for Domestic & heating water <
- Combustibles and biofuels <
- Rainwater and waste water <

### Application

- > Radiant heating and cooling systems
- > Pipe installation systems
- > Shower system

# Roth

#### ■ Deutschland

ROTH WERKE GMBH  
Am Seerain 2  
35232 Dautphetal  
Telefon: 06466/922-0  
Telefax: 06466/922-100  
E-Mail: [service@roth-werke.de](mailto:service@roth-werke.de)  
[www.roth-werke.de](http://www.roth-werke.de)

#### ■ Czech Republic

Roth Czech s.r.o.  
Třebořov 160  
569 33 Třebořov  
Tel.: +420 461 353 611  
E-Mail: [objednavky@roth-czech.cz](mailto:objednavky@roth-czech.cz)  
[www.roth-czech.cz](http://www.roth-czech.cz)

#### ■ France

ROTH FRANCE  
CS 20090  
78, rue Ampère - ZI  
77465 Lagny sur Marne Cedex  
Tél.: +420 461 353 611  
[www.roth-france.fr](http://www.roth-france.fr)