

Sanitary Systems

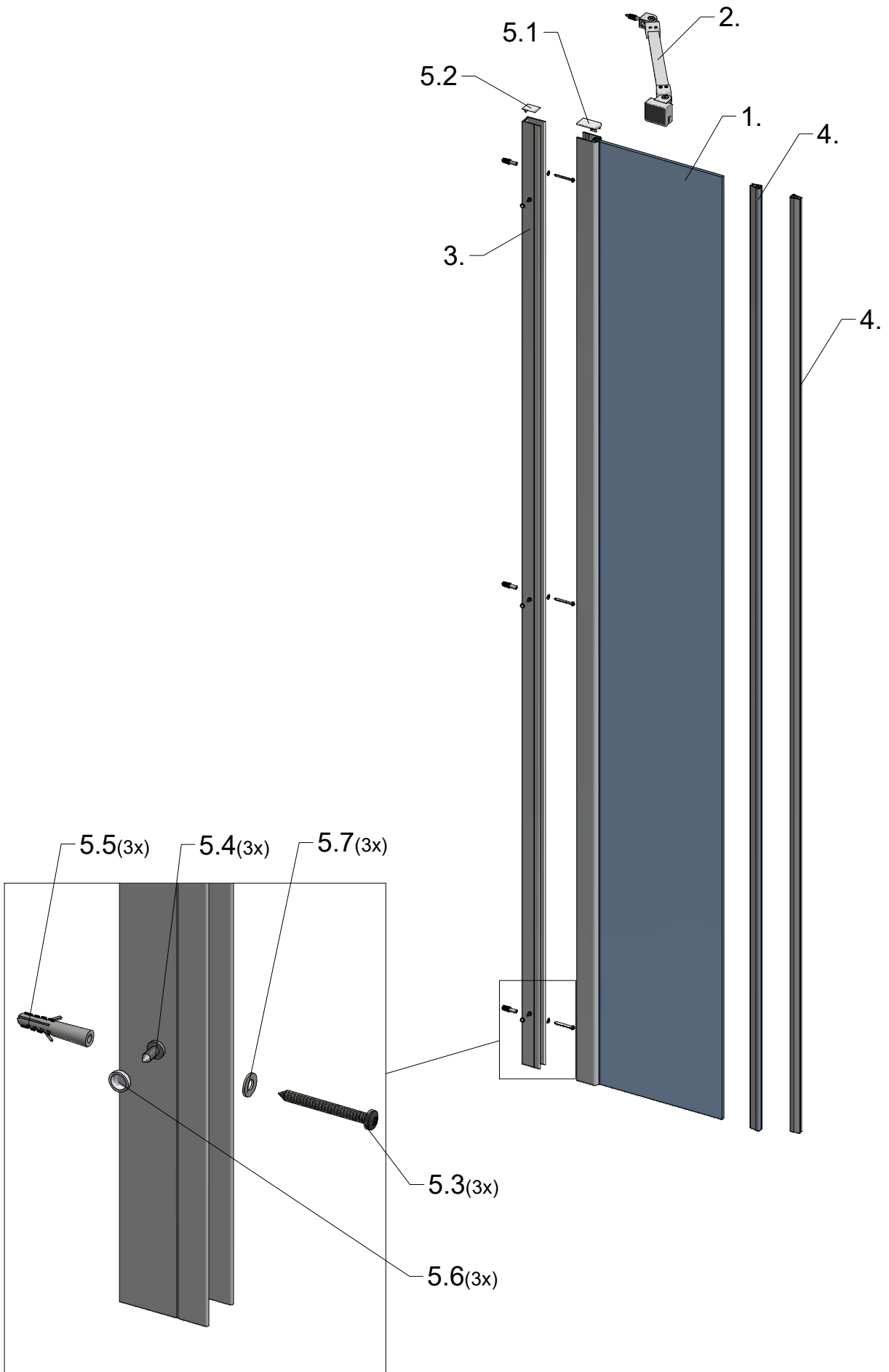
Roth Cariba CI FXO

Roth

**Assembling Instruction
Montageanleitung
Notice de montage
Montážní návod**


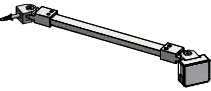
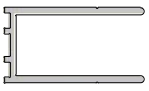
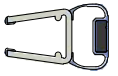









Shower for life



CI FXO

5. P6146

POS.	PREVIEW	PCS	SPARE PART
1.		1	V296
2.		1	P313
3.		1	P5879
4.		2	P6255
5.	ACCESSORIES	1	P6146

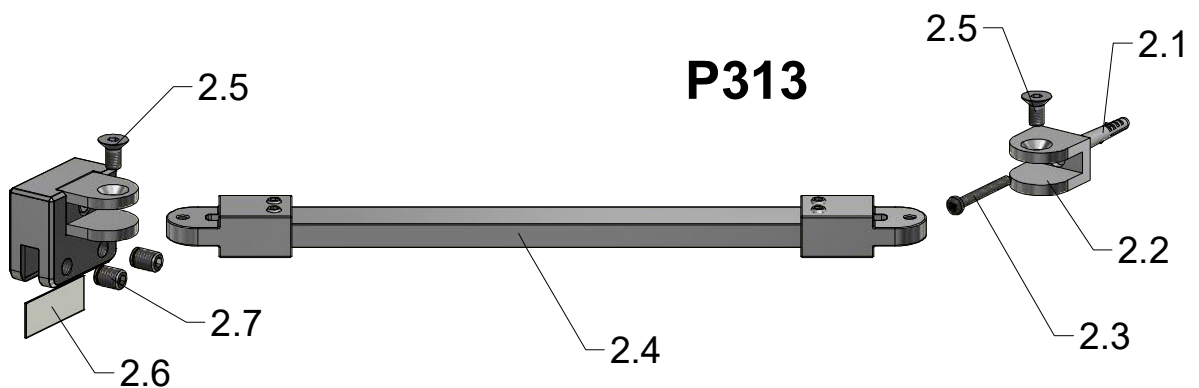
POS.	PREVIEW	
5.1		
5.2		
5.3	3x	
5.4	3x	
5.5	3x	
5.6	3x	
5.7	3x	

1. V296

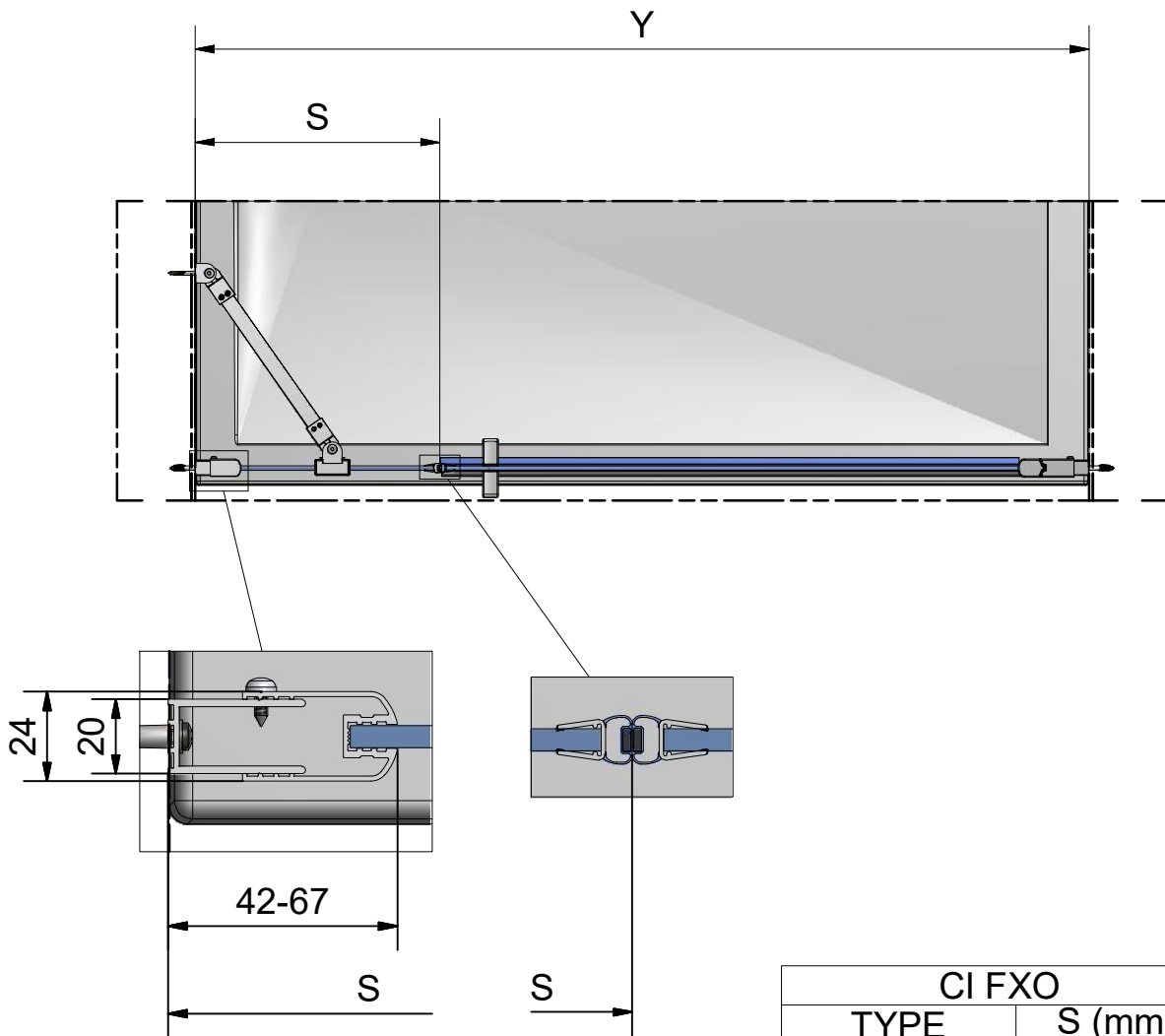
SIZE	GLASS + PROFILE	SPARE PART
230	clear glass+brillant	ND03-0908-00-02
330	clear glass+brillant	ND03-0909-00-02
430	clear glass+brillant	ND03-0936-00-02
530	clear glass+brillant	ND03-0910-00-02
630	clear glass+brillant	ND03-0937-00-02

2. P313

SIZE	PROFILE	SPARE PART
230;330	brillant	MB0229
430;530	brillant	MB0230
630	brillant	MB0231



CI FXO + CI PIG



CI FXO	
TYPE	S (mm)
CI FXO 230	209-234
CI FXO 330	309-334
CI FXO 430	409-434
CI FXO 530	509-534
CI FXO 630	609-634

CI FXO + CI PIG					
TYPE	S(MIN-MAX)	Y(CI PIG 750)	Y(CI PIG 800)	Y(CI PIG 900)	Y(CI PIG 1000)
CI FXO 230	209-234	910-960	960-1010	1060-1110	1160-1210
CI FXO 330	309-334	1010-1060	1060-1110	1160-1210	1260-1310
CI FXO 430	409-434	1010-1160	1160-1210	1260-1310	1360-1410
CI FXO 530	509-534	1210-1260	1260-1310	1360-1410	1460-1510
CI FXO 630	609-634	1310-1360	1360-1410	1460-1510	1560-1610

Next step in instructions is for left installation
(for right installation - proceed in a mirror image)

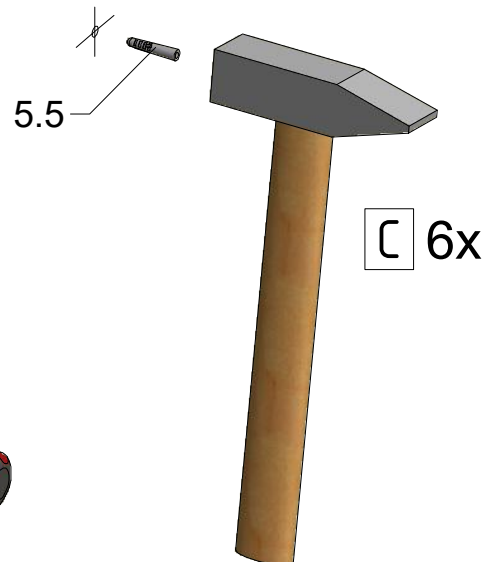
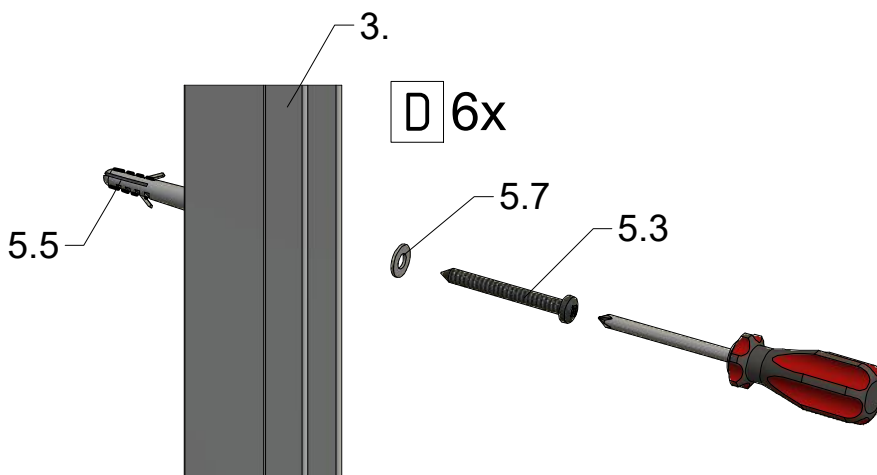
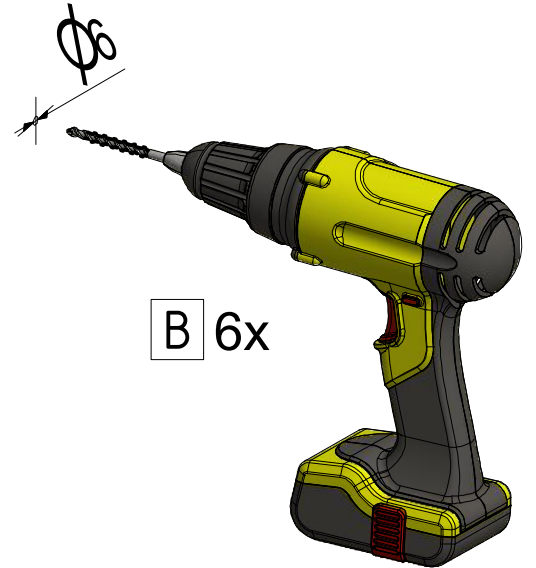
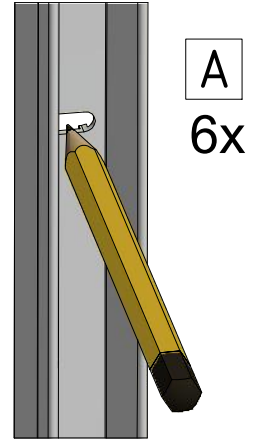
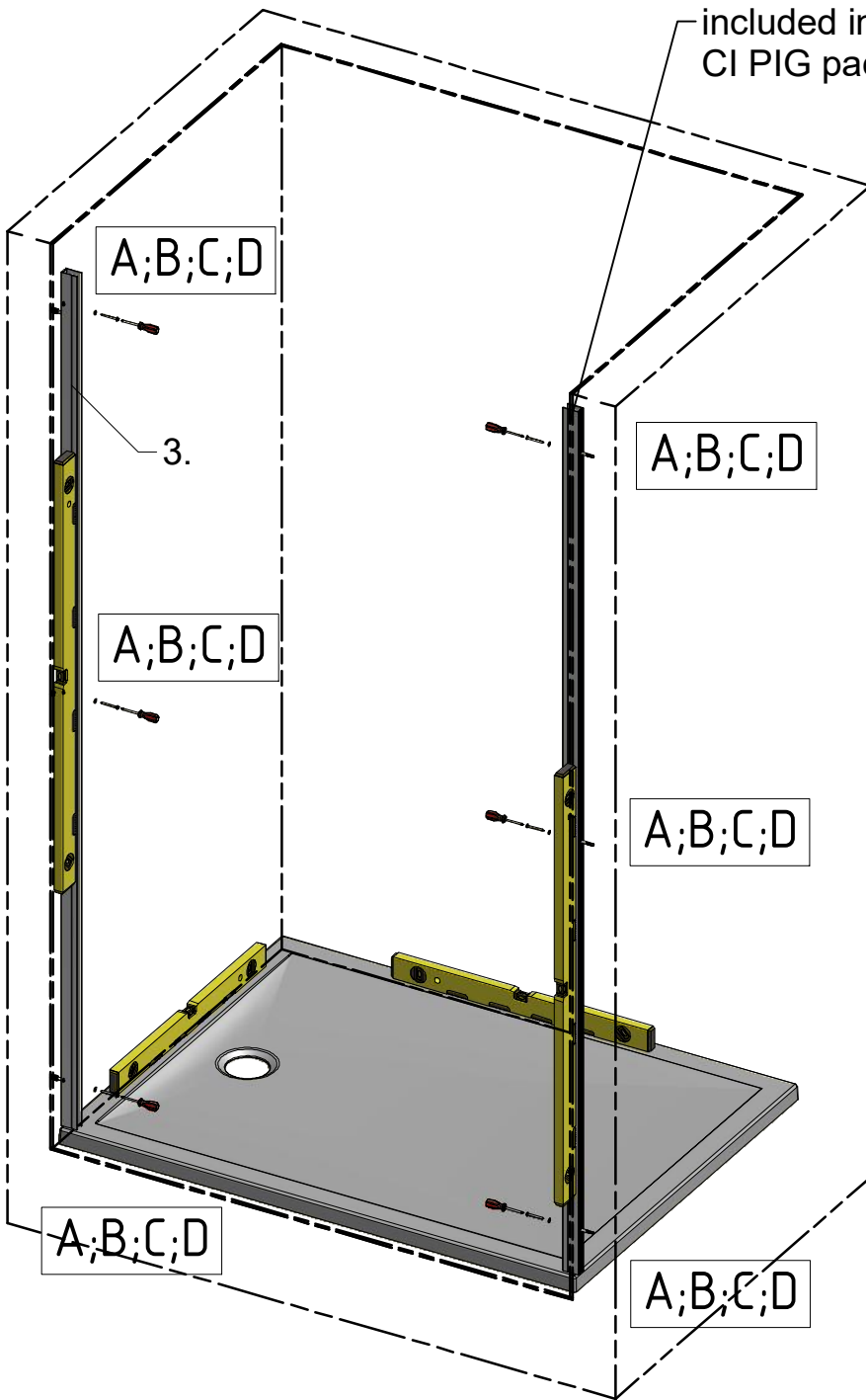
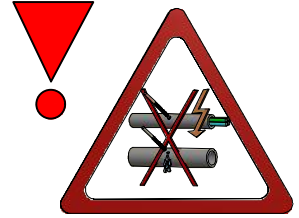


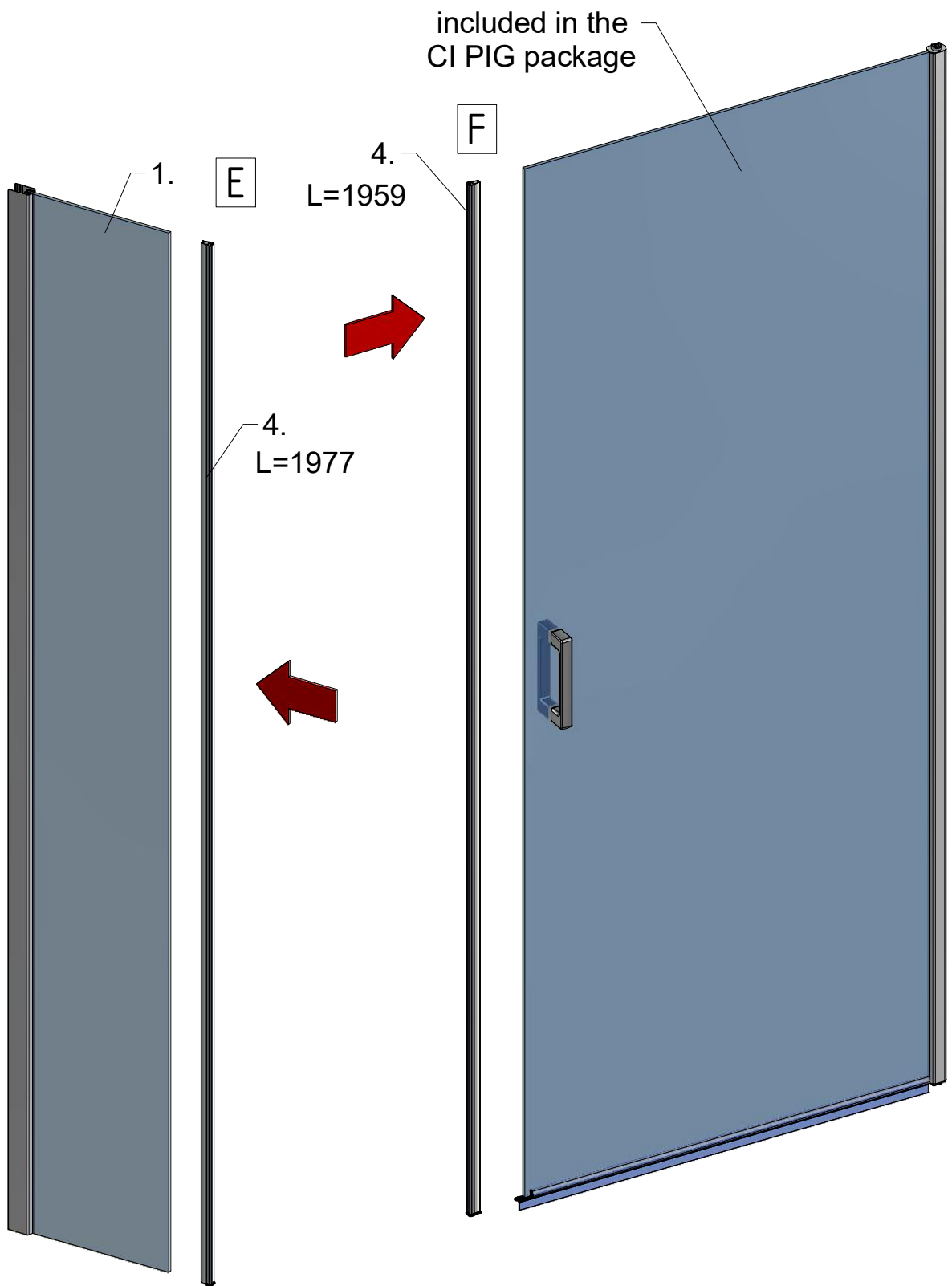
LEFT Installation
CI FXO + CI PIG

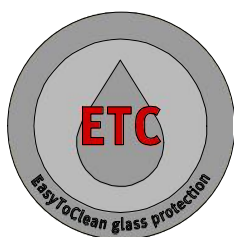
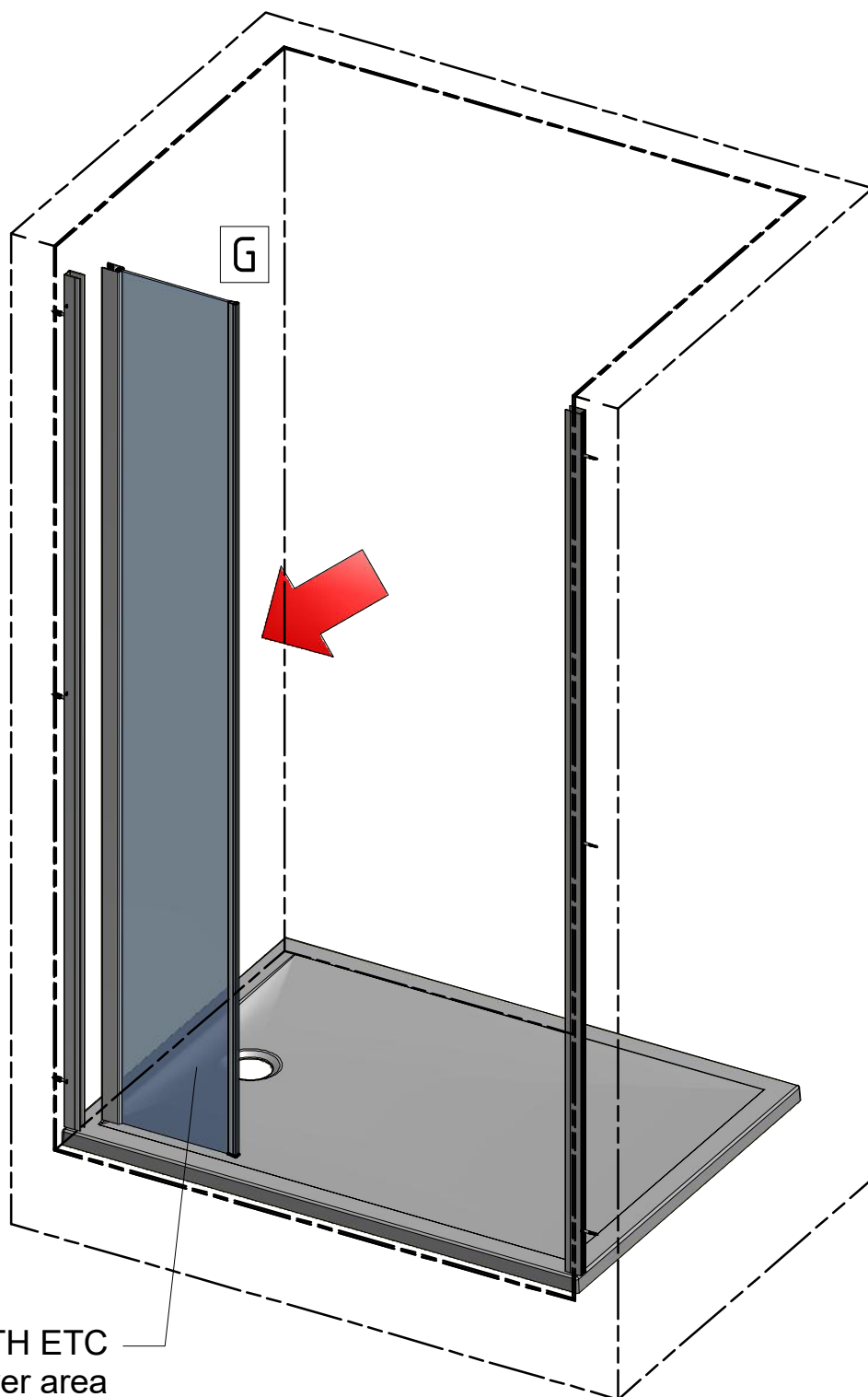
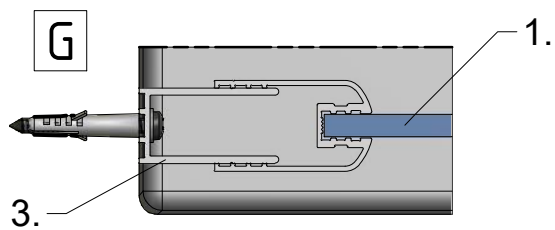


RIGHT Installation
CI FXO + CI PIG

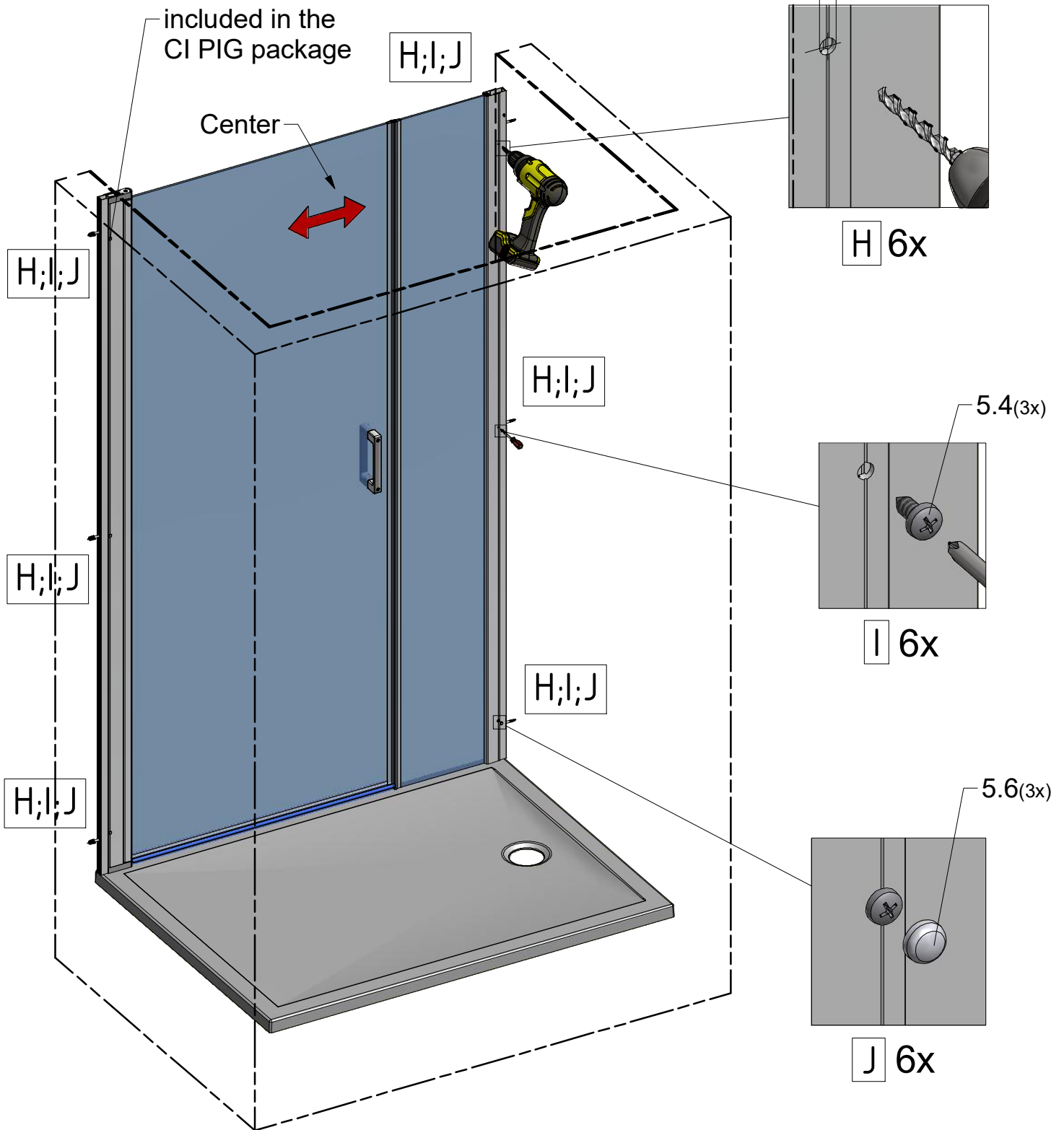
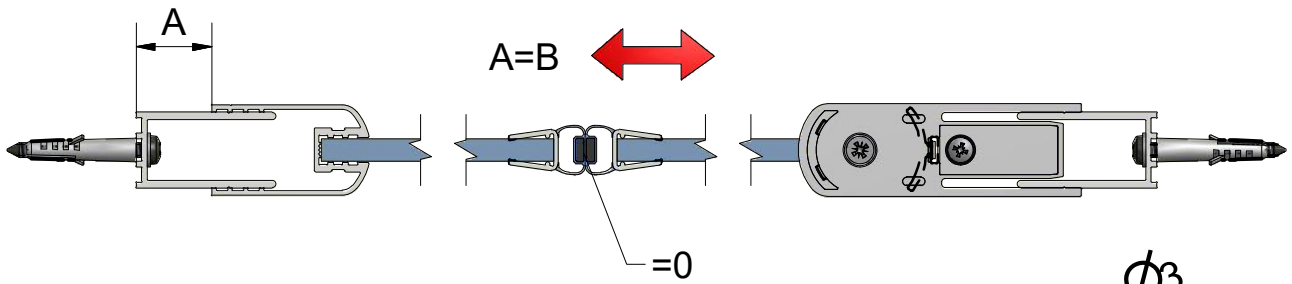
included in the
CI PIG package

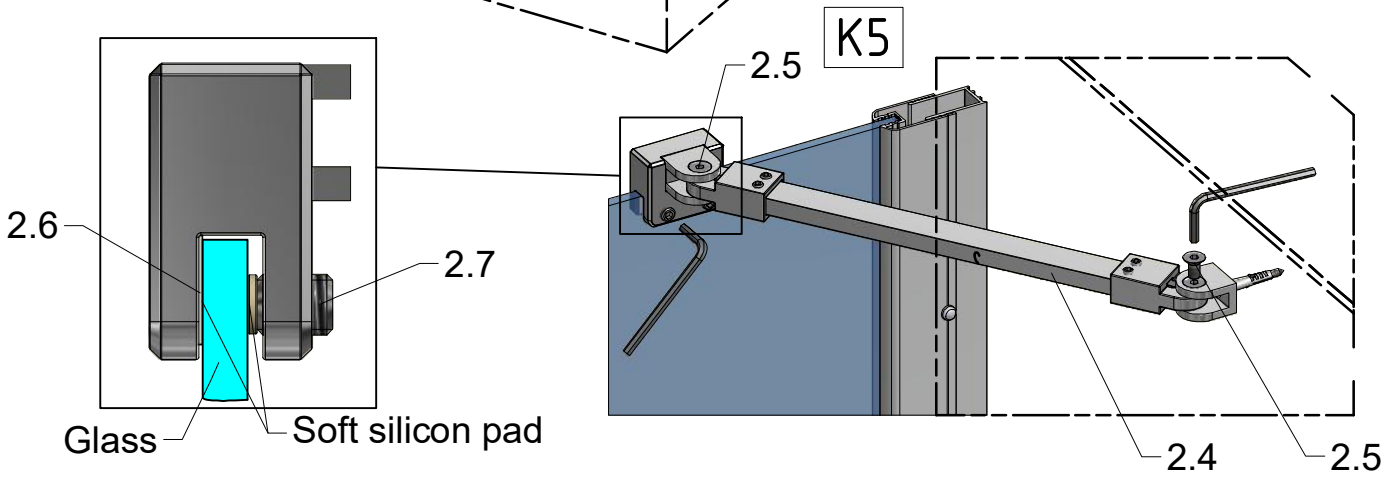
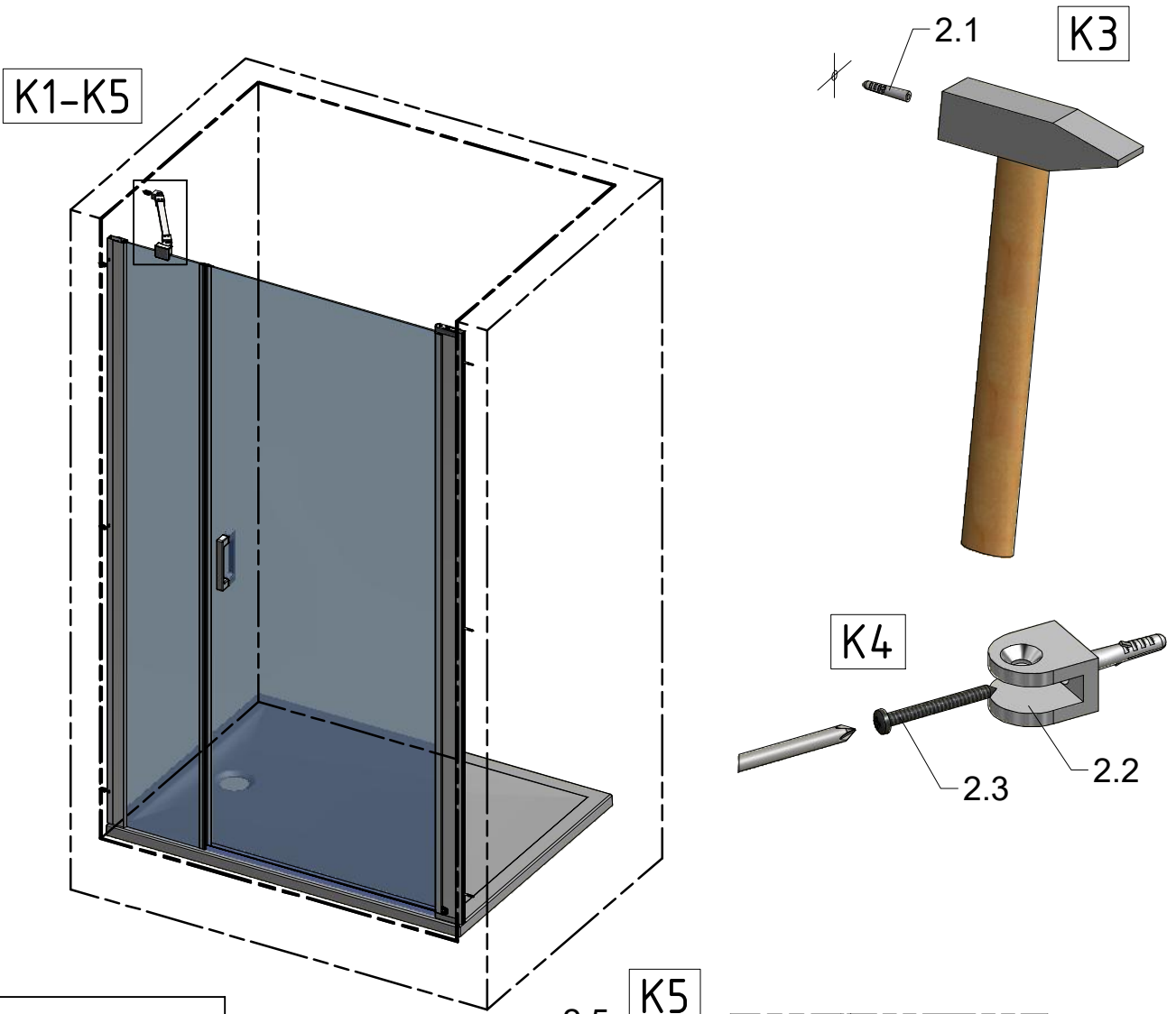
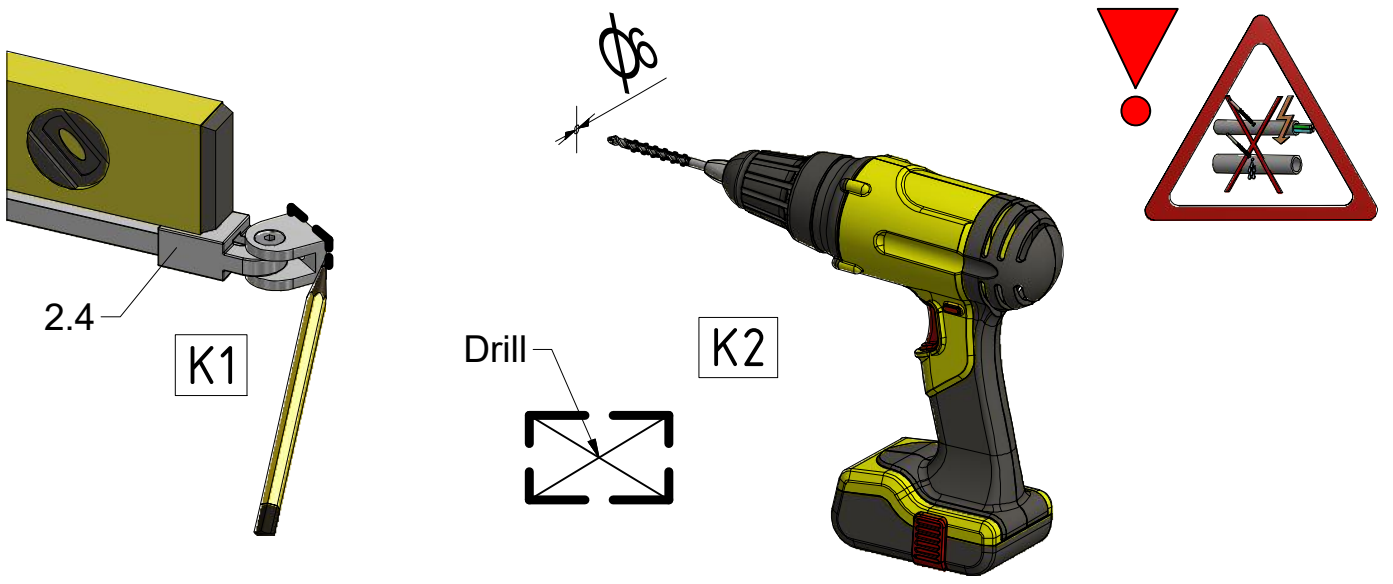


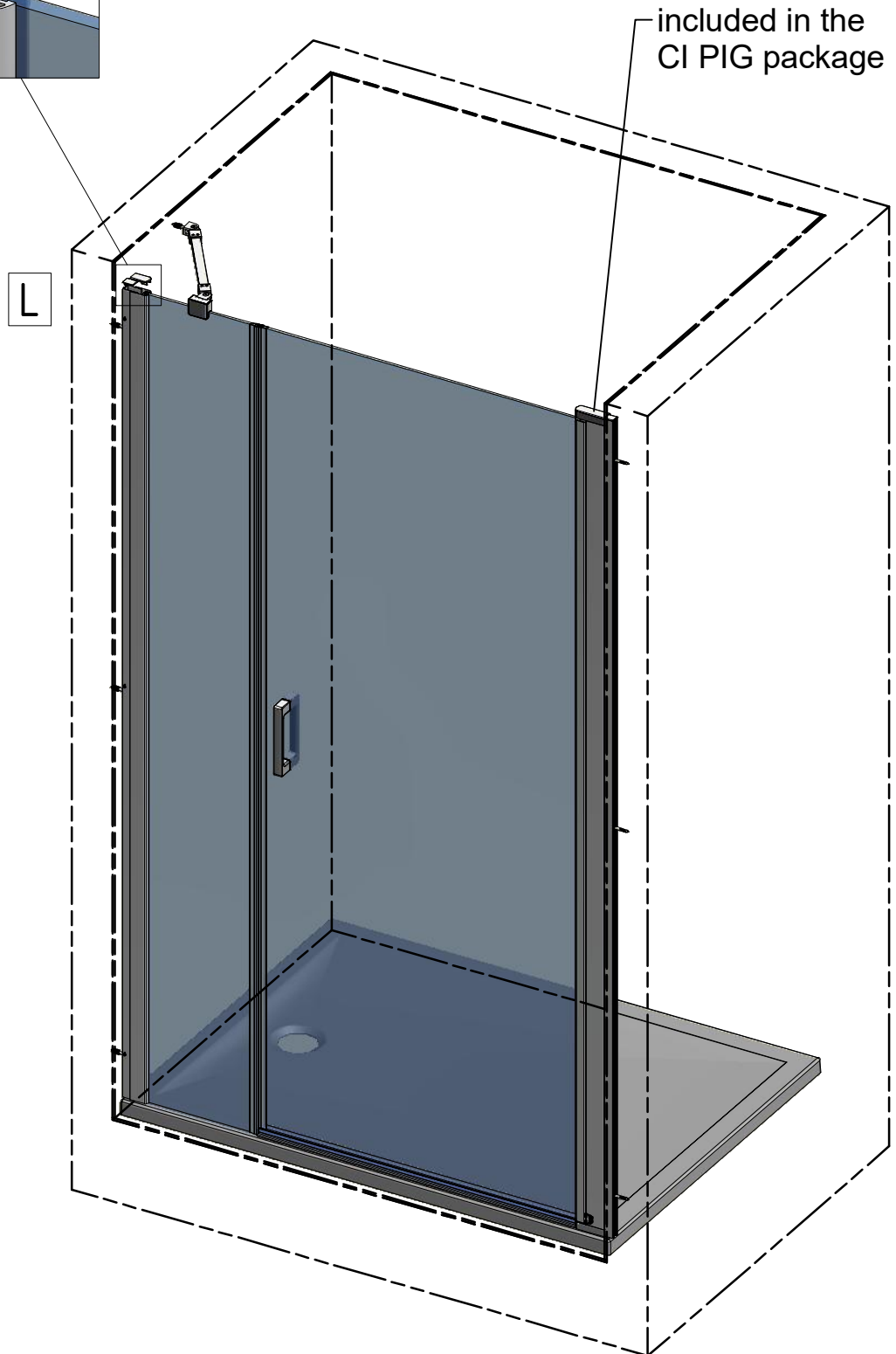
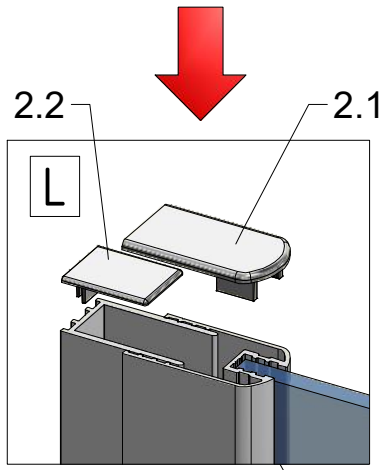




Protective layer ROTH ETC
always in the shower area
(designed for contact with water)

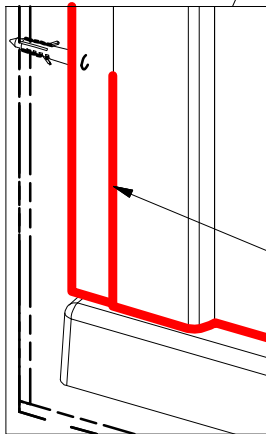
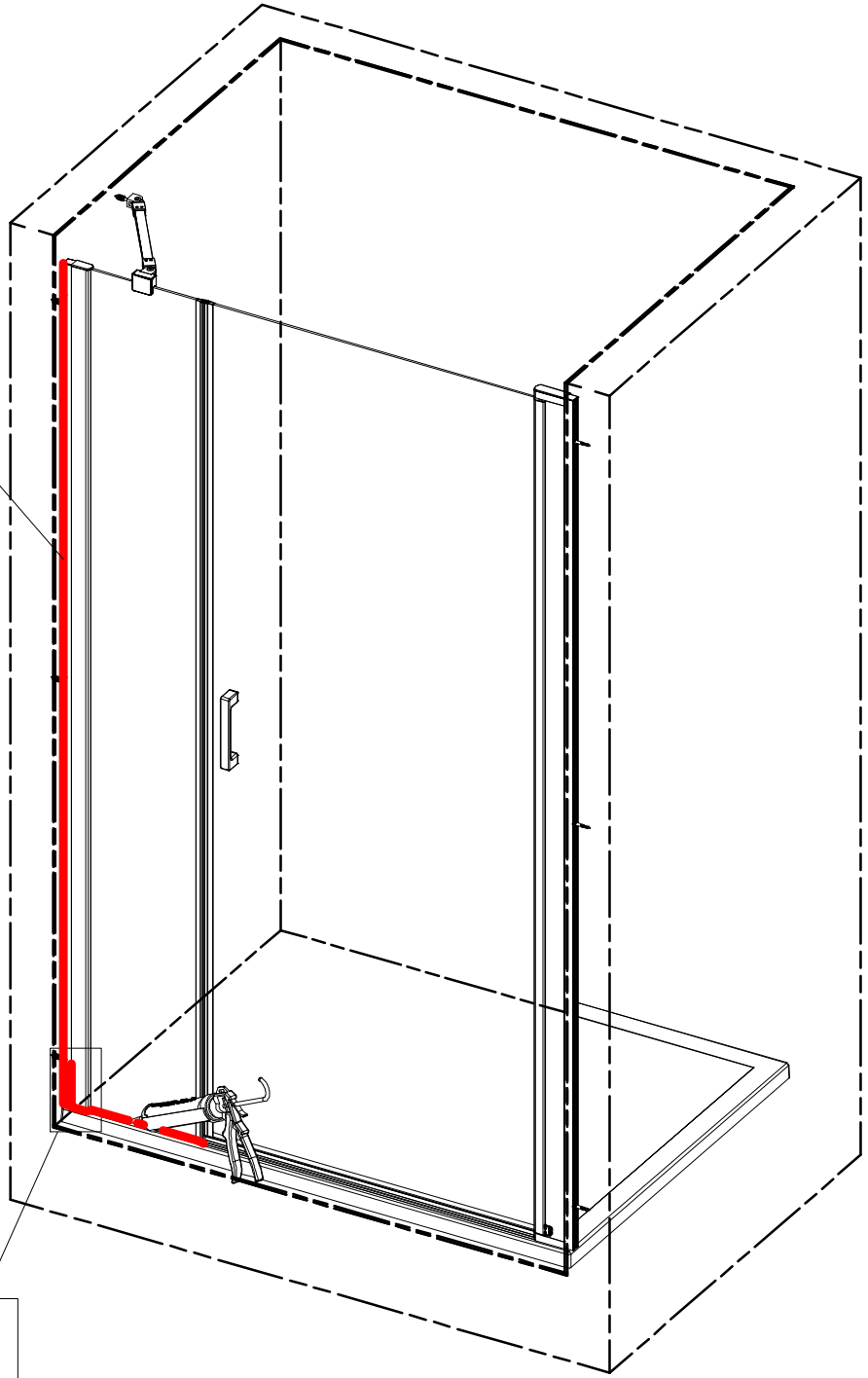




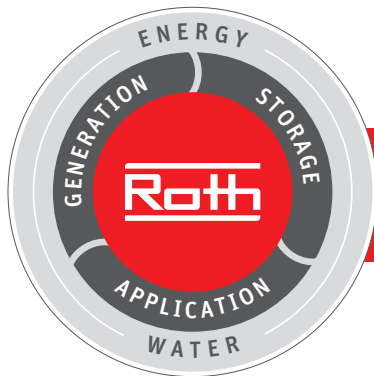




SILICONE



SILICONE
MIN 100mm



Roth Energy and Sanitary Systems

Generation

- Solar systems <
- Heat pump systems <

Storage

- Storage systems for Domestic & heating water <
- Combustibles and biofuels <
- Rainwater and waste water <

Application

- > Radiant heating and cooling systems
- > Pipe installation systems
- > Shower system

Roth

■ Deutschland

ROTH WERKE GMBH

Am Seerain 2
35232 Dautphetal
Telefon: 06466/922-0
Telefax: 06466/922-100
E-Mail: service@roth-werke.de
www.roth-werke.de

■ Czech Republic

Roth Czech s.r.o.

Třebořov 160
569 33 Třebořov
Tel.: +420 461 353 611
E-Mail: objednavky@roth-czech.cz
www.roth-czech.cz

■ France

ROTH FRANCE

CS 20090
78, rue Ampère - ZI
77465 Lagny sur Marne Cedex
Tél.: +420 461 353 611
www.roth-france.fr