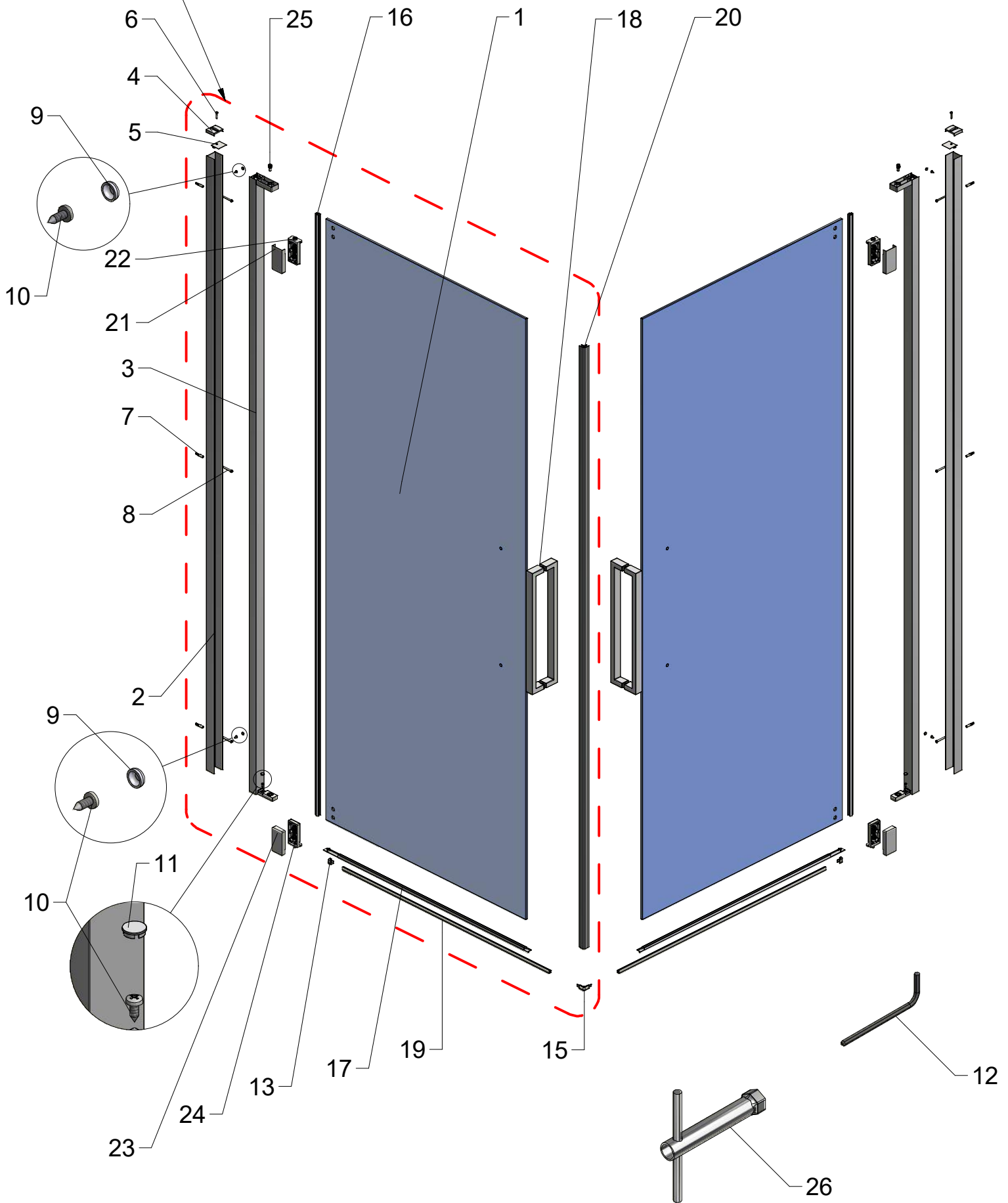


**Montageanleitung
Assembling Instruction
Montážní návod**

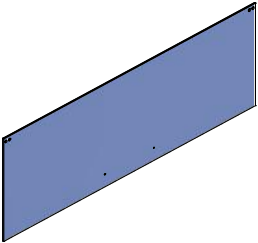
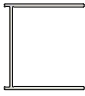
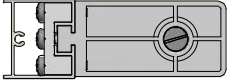
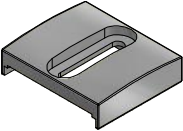
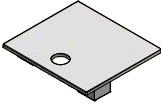







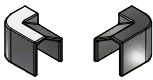




Shower for life


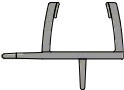
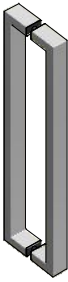


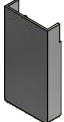





HI PI2



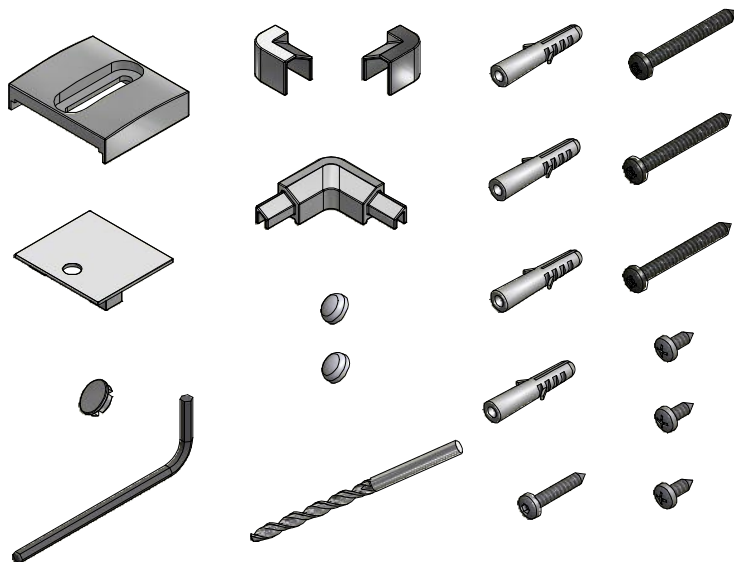
HI PI2

POS.	PREVIEW	PCS	SPARE PART
1		1	V278
2		1	ND01-4001
3		1	ND01-4000
4		1	ND01-3995
5		1	ND01-3995
6		1	ND01-3995
7		4	ND01-3995
8		3	ND01-3995
9		2	ND01-3995
10		3	ND01-3995
11		1	ND01-3995
12		1	ND01-3995
13		1+1 (SET)	ND01-3995
14		1	ND01-3995
15		1	ND01-3995

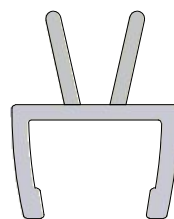
HI PI2

POS.	PREVIEW	PCS	SPARE PART
16		1	ND01-3996
17		1	ND01-3997
18		1	ND01-4003
19		1	ND01-4002
20		1+1 (SET)	ND01-3998
21		1	ND01-3999
22		1	ND01-3999
23		1	ND01-3999
24		1	ND01-3999
25		1	ND01-3999
26		1	-

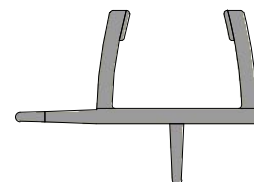
ND01-3995



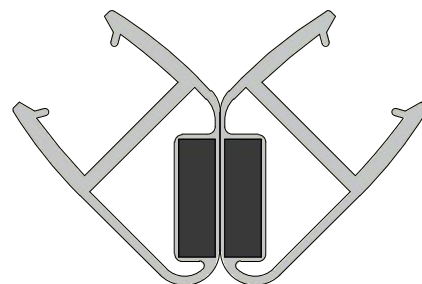
ND01-3996



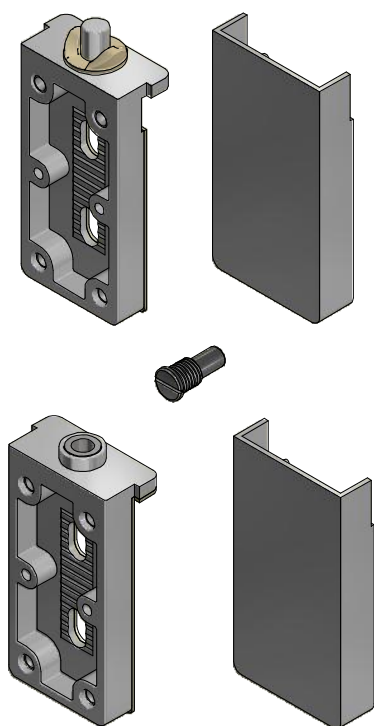
ND01-3997



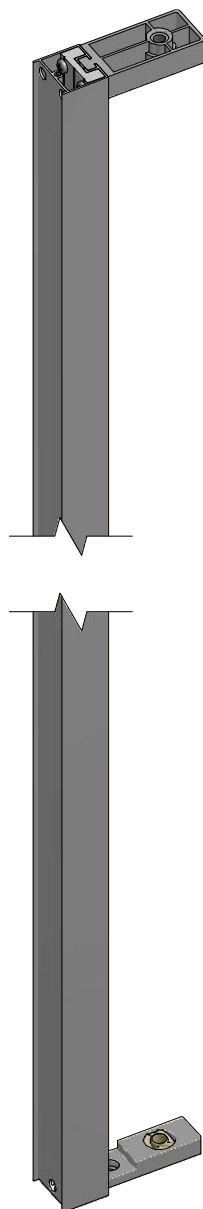
ND01-3998



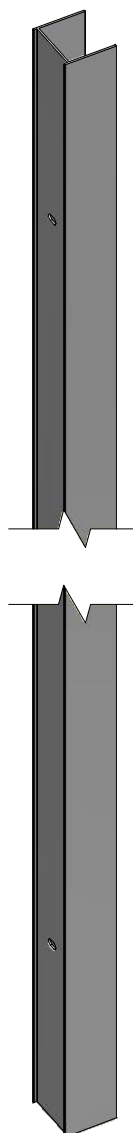
ND01-3999



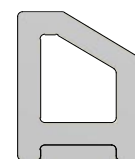
ND01-4000



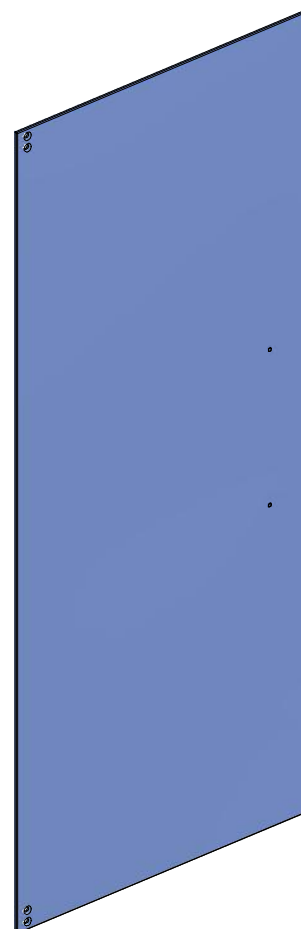
ND01-4001



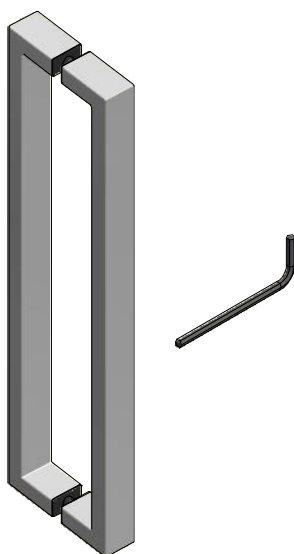
ND01-4002



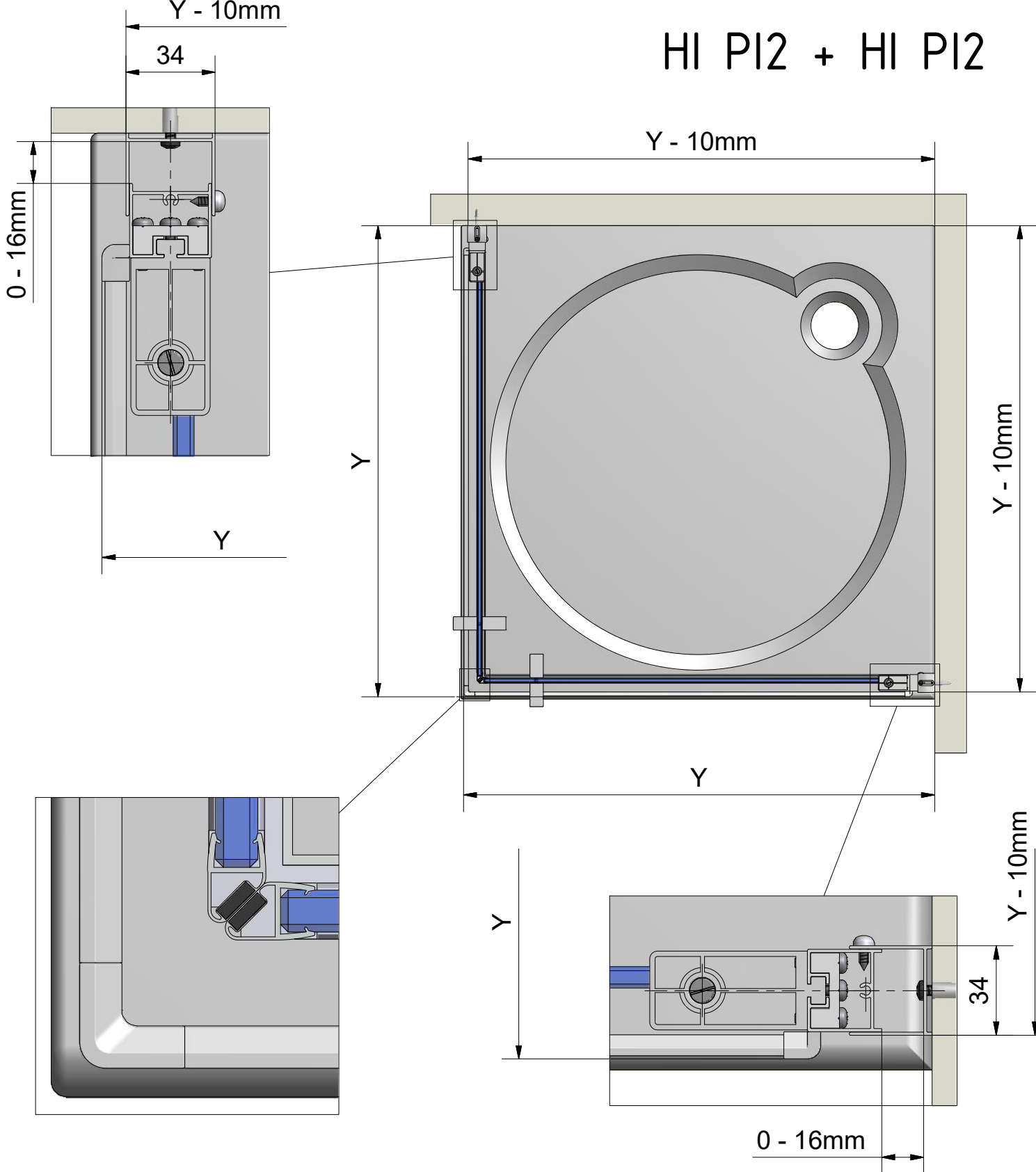
V278



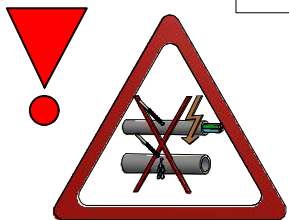
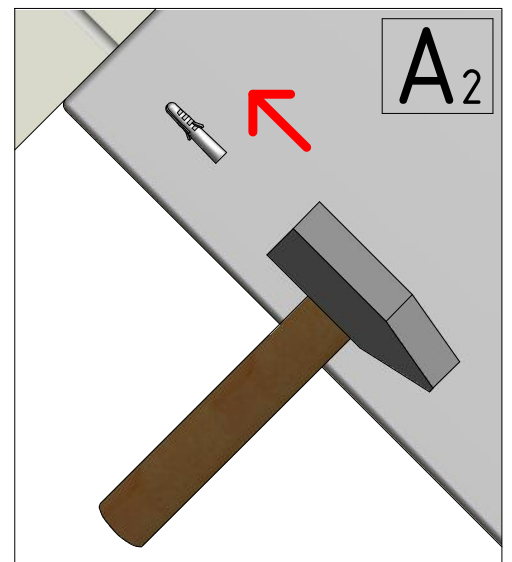
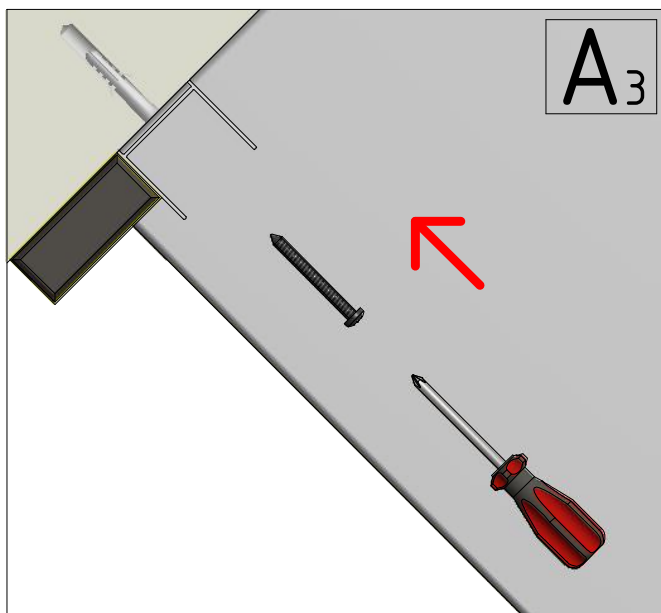
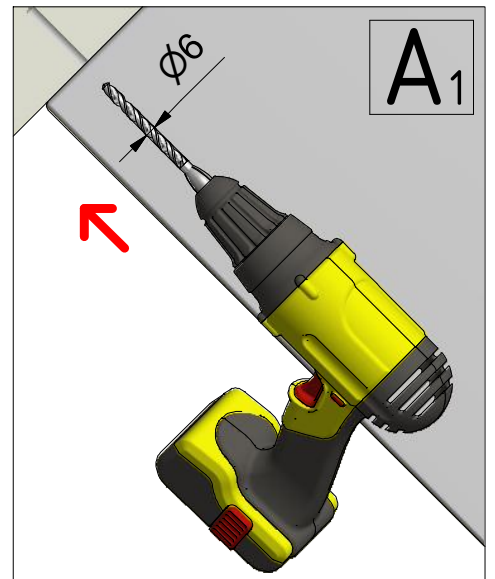
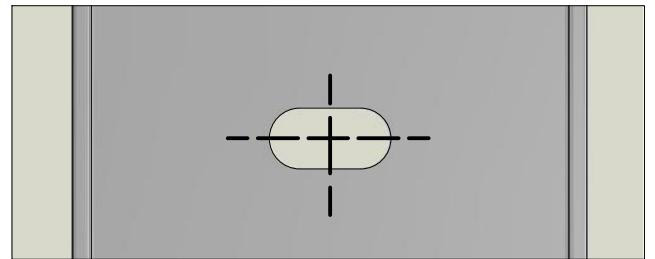
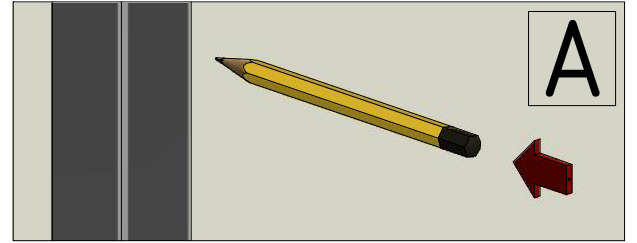
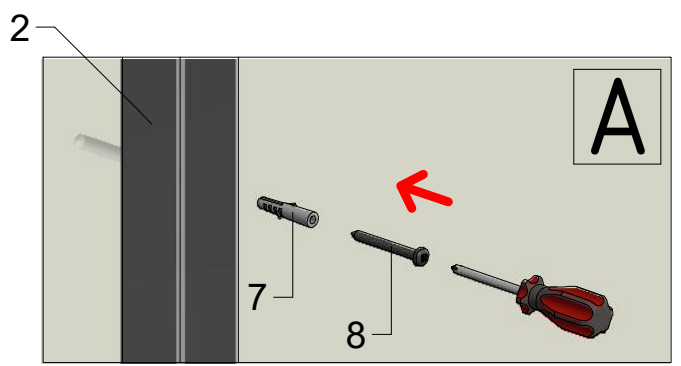
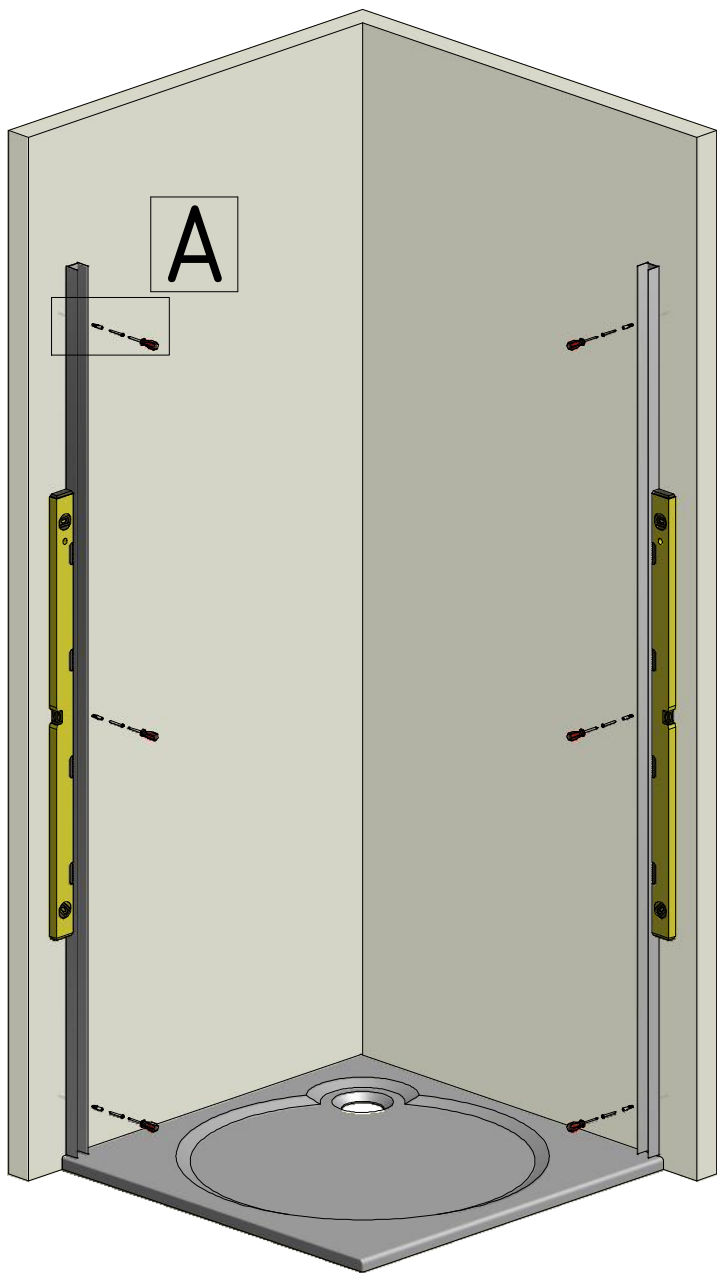
ND01-4003

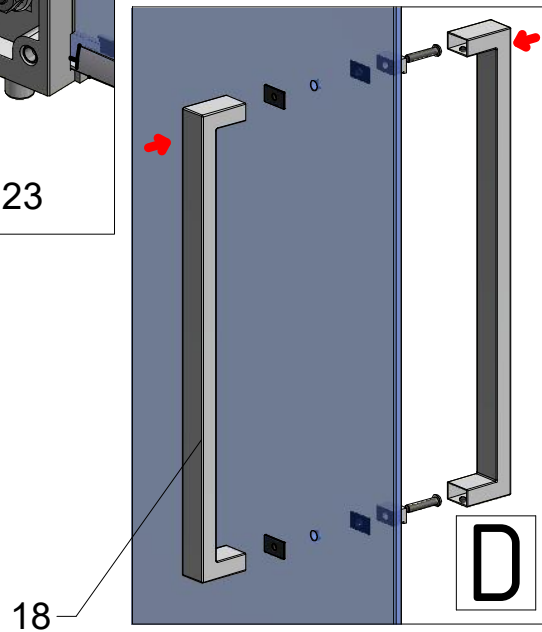
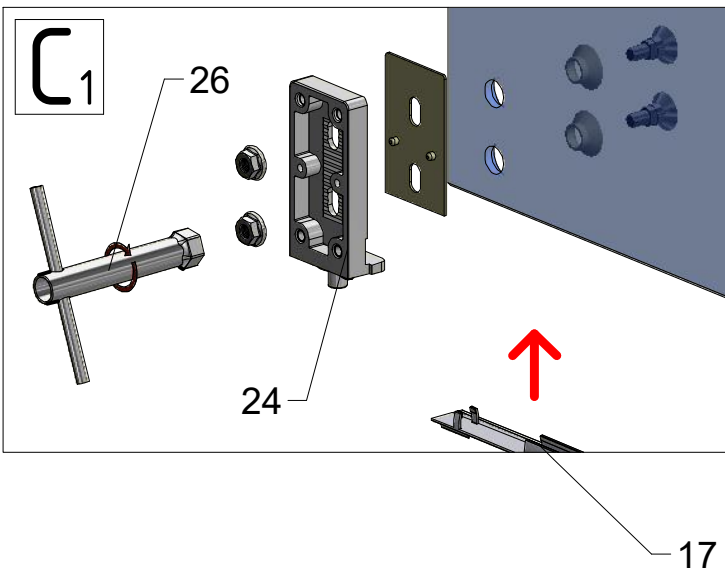
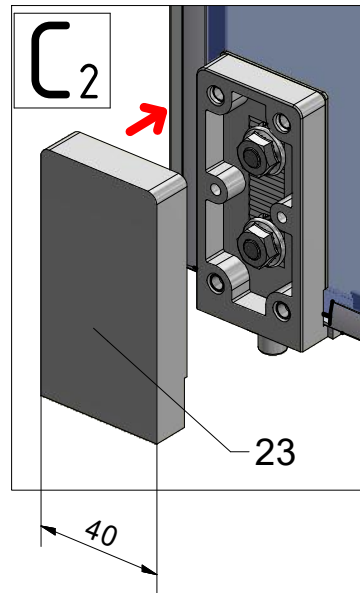
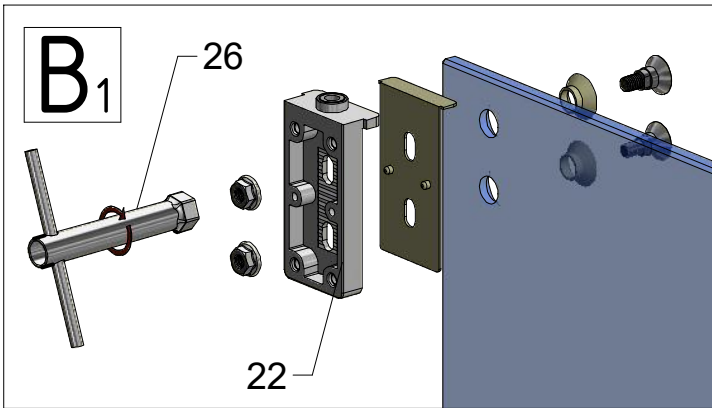
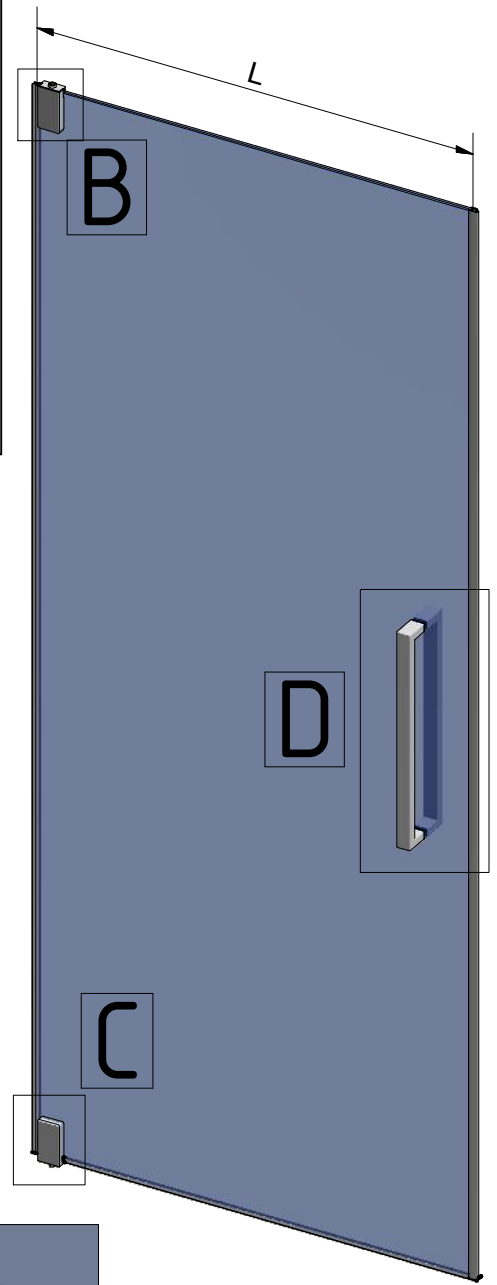
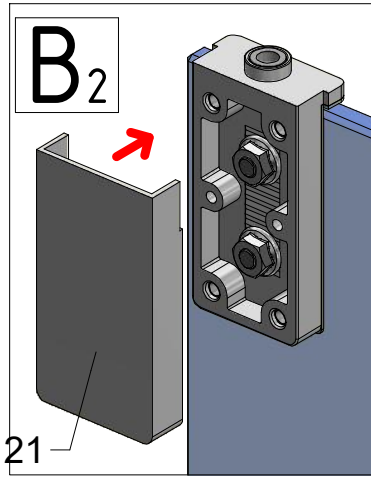
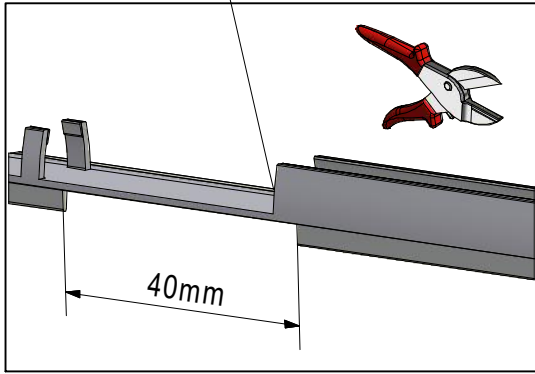
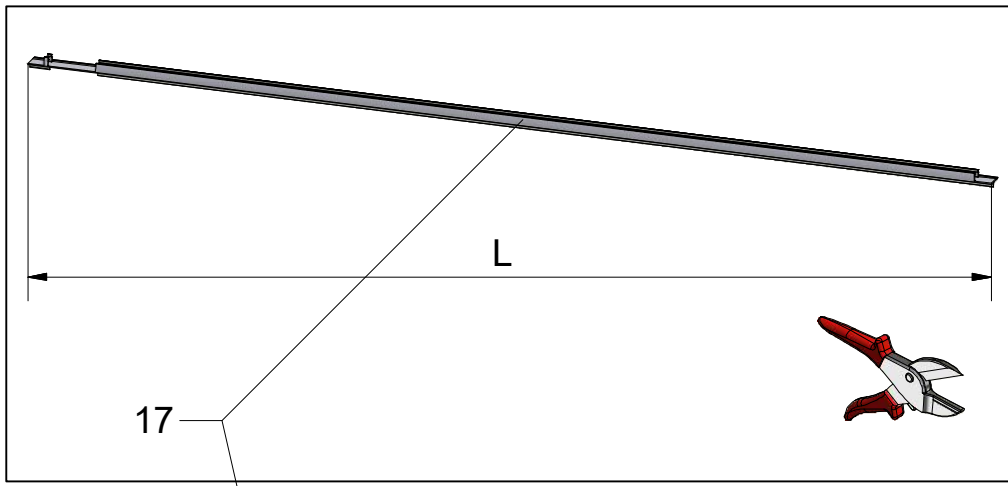


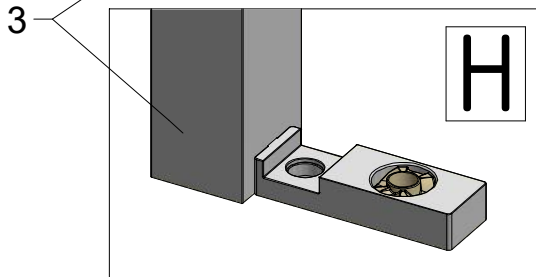
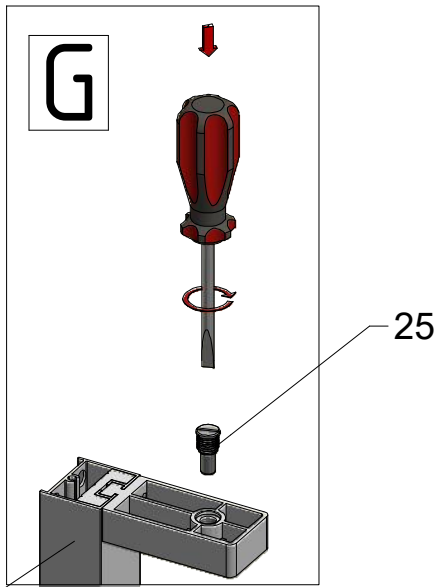
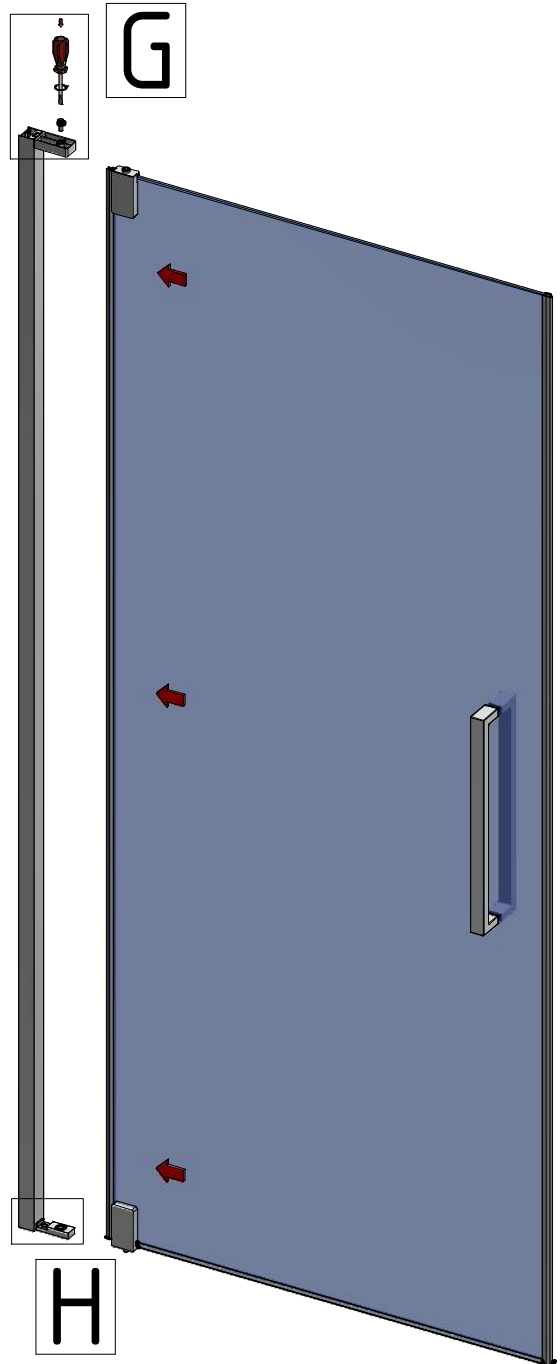
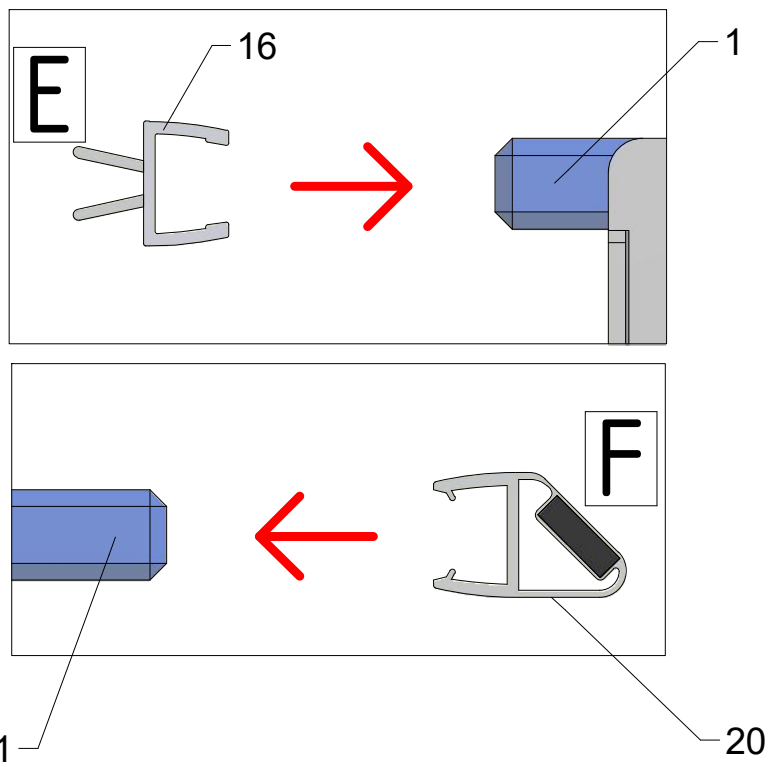
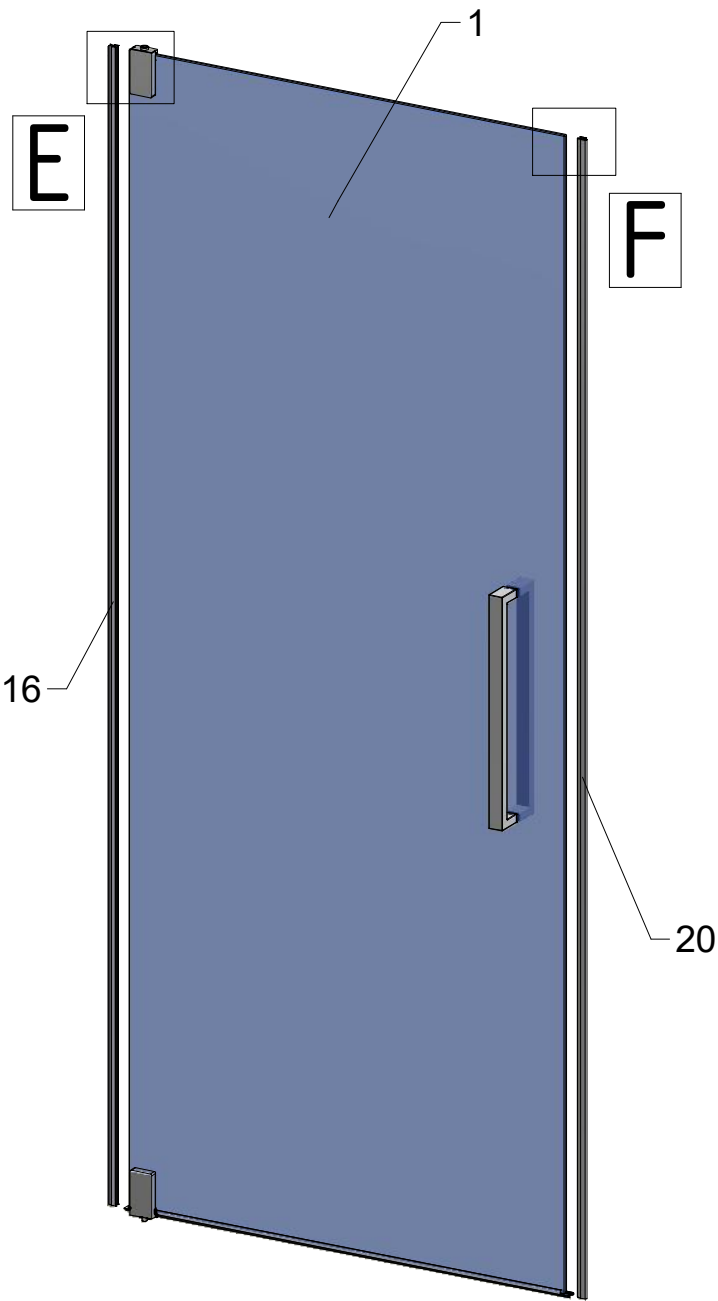
HI PI2 + HI PI2

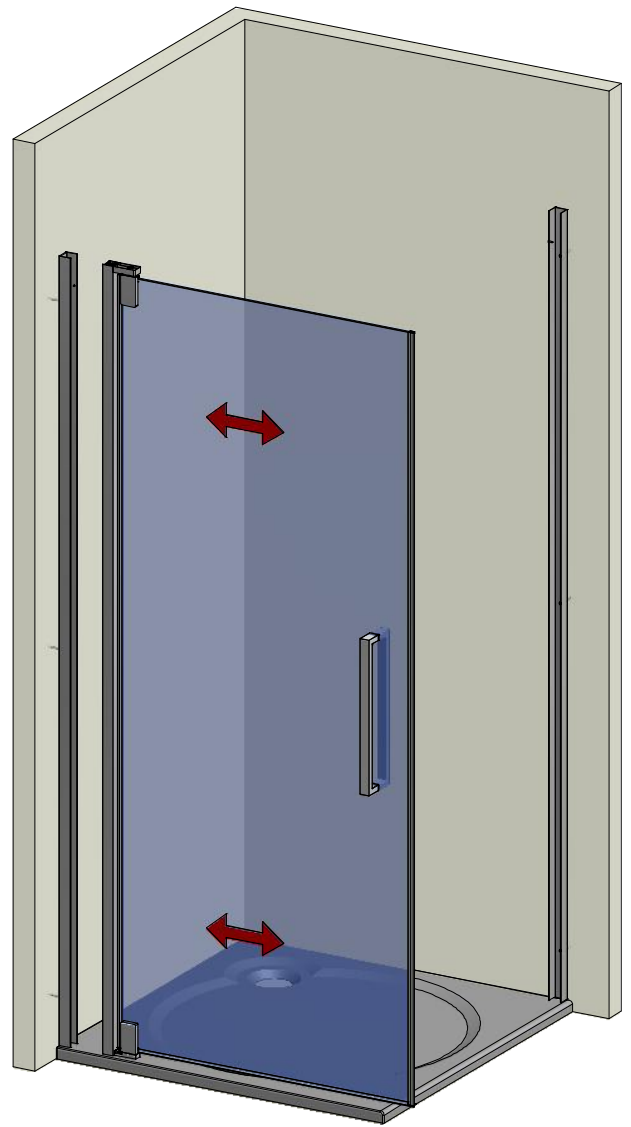
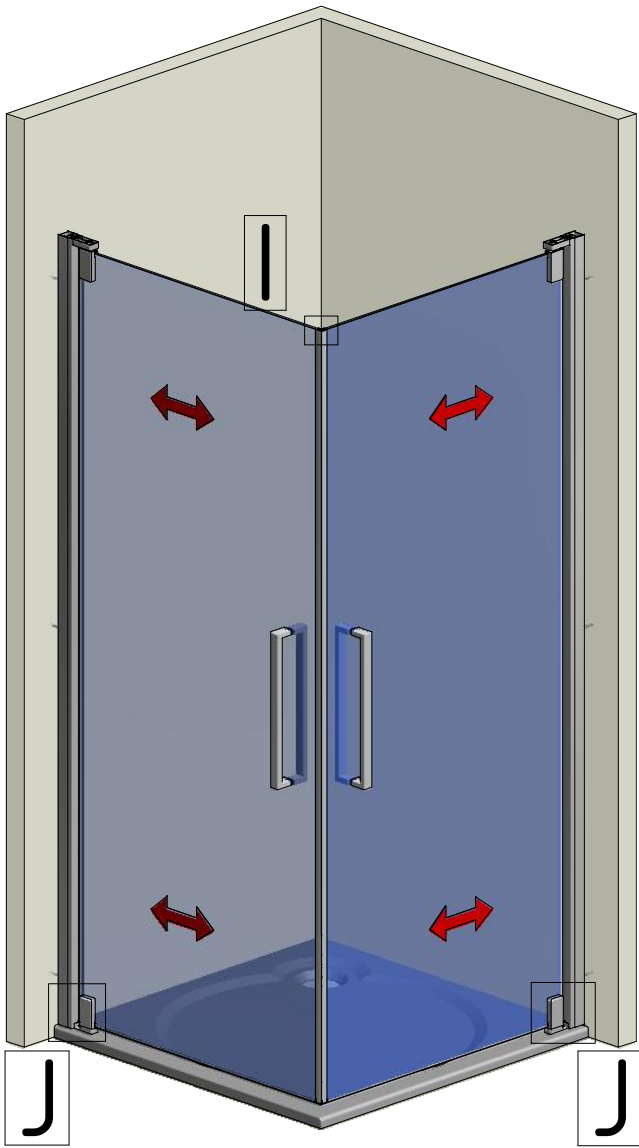


HI PI2 800 + HI PI2		
TYPE	Y (mm)	Y - 10 (mm)
800	782 - 798	772 - 788
900	882 - 898	872 - 888
1000	982 - 998	972 - 988

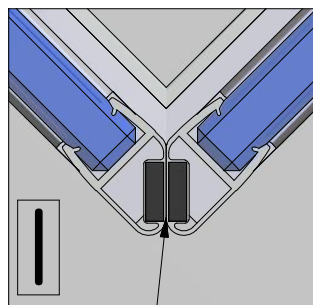




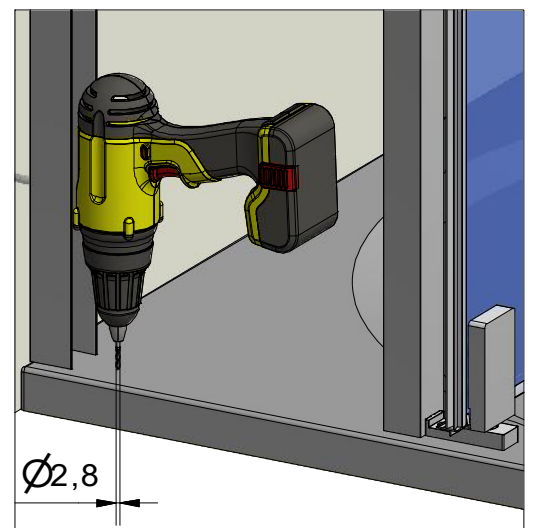
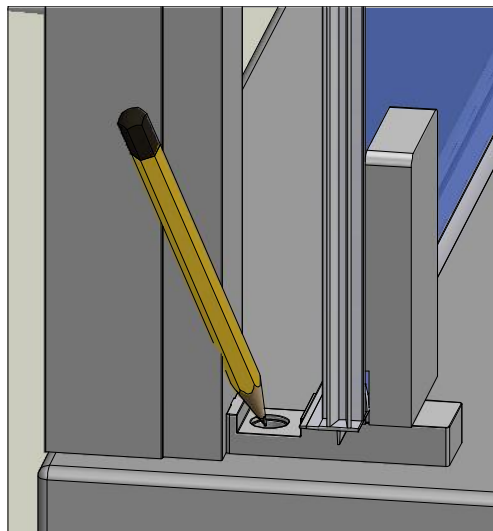




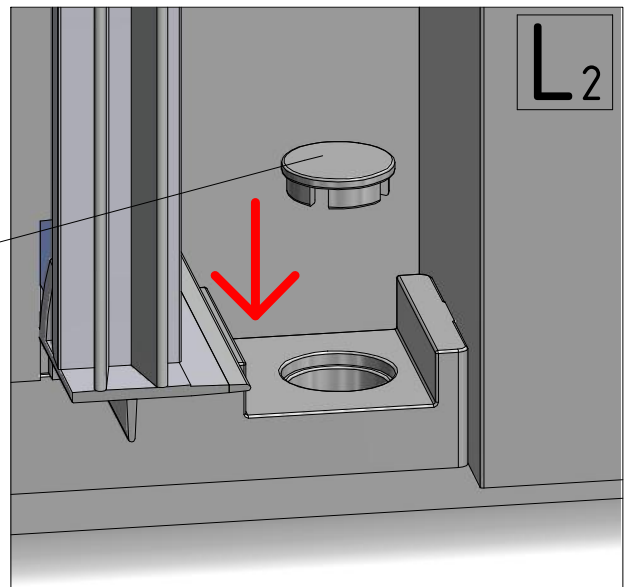
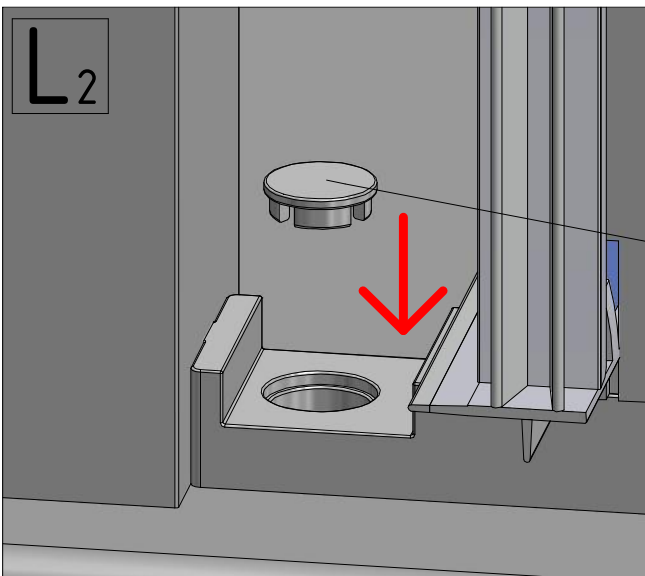
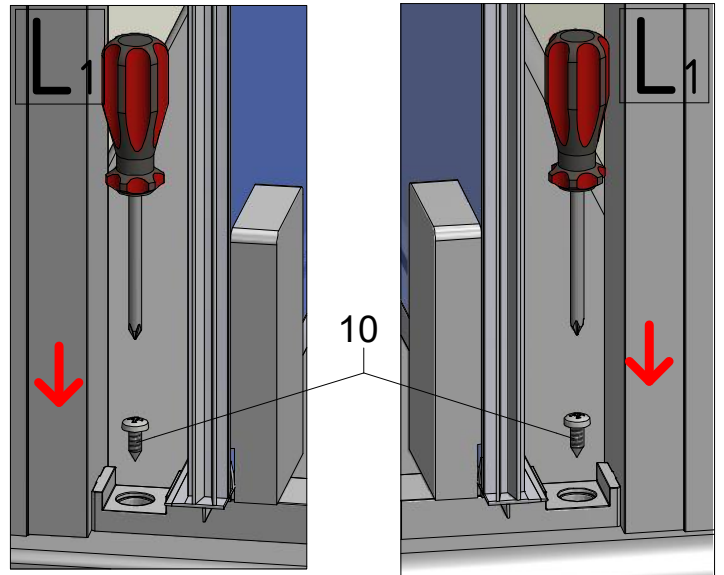
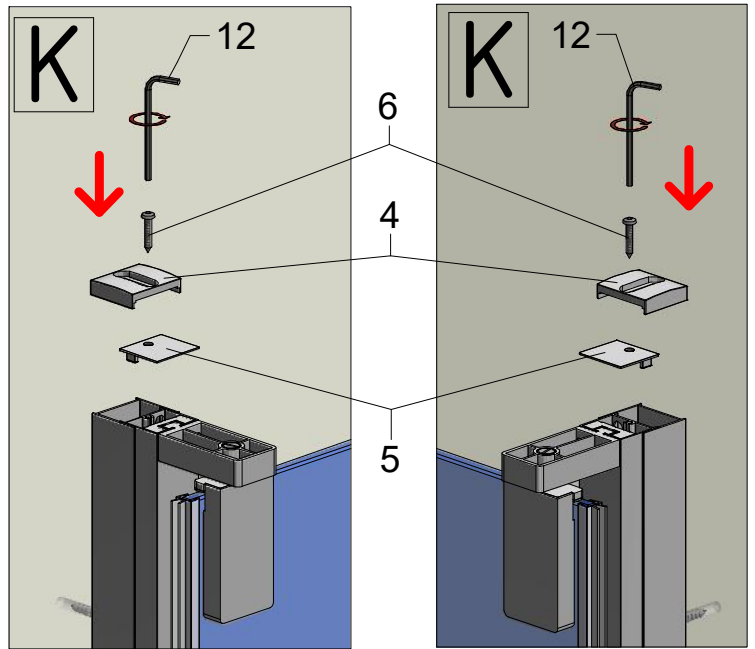
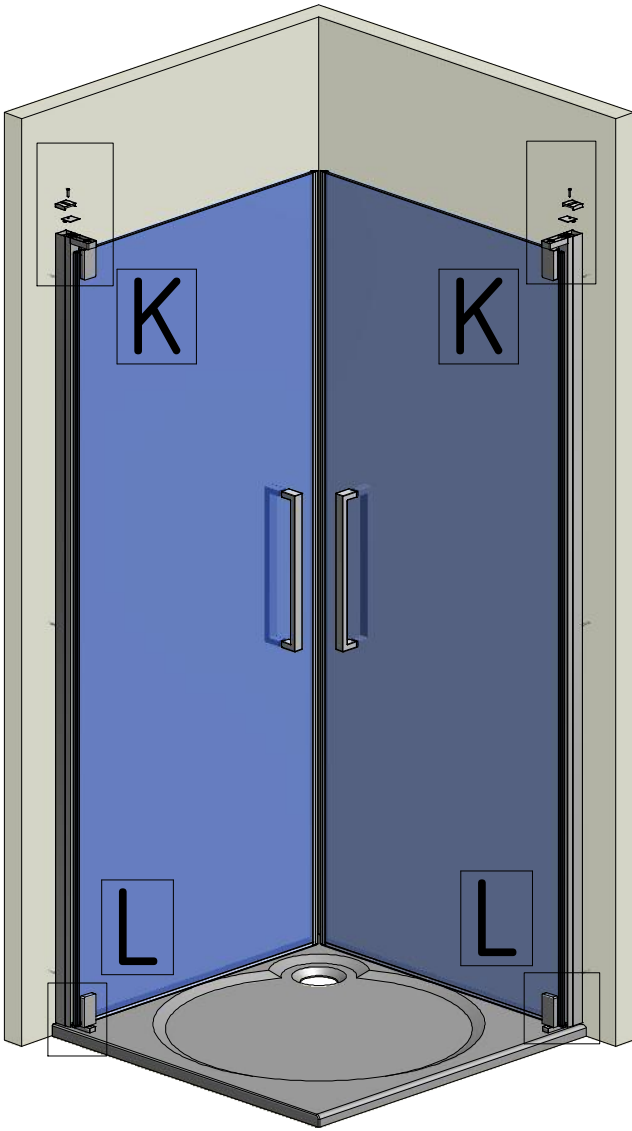
J

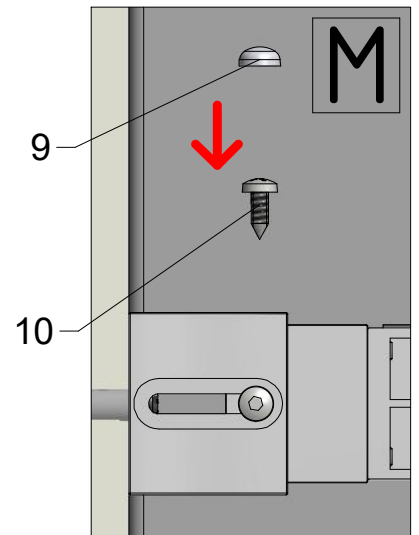
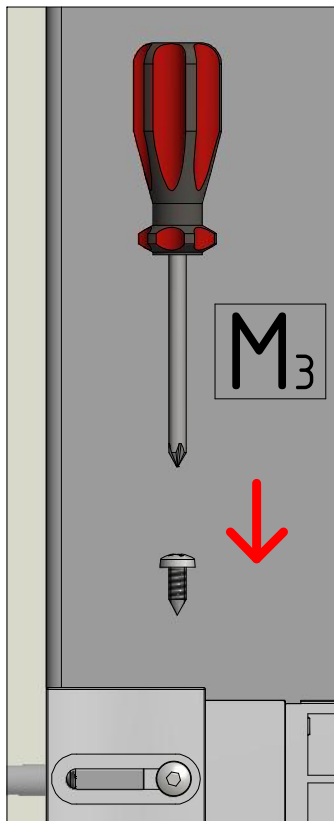
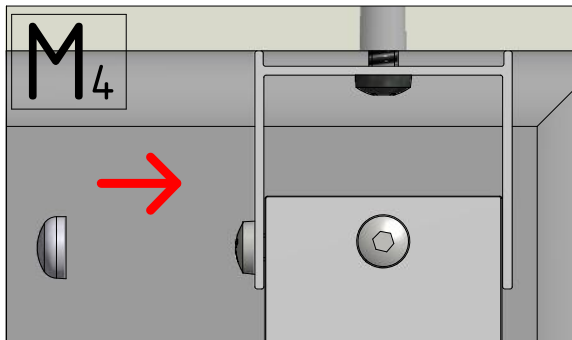
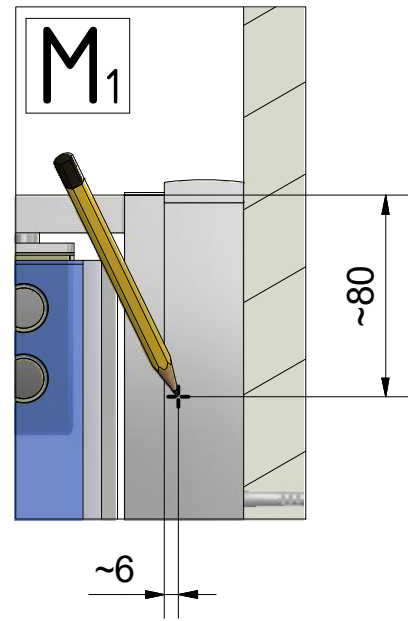
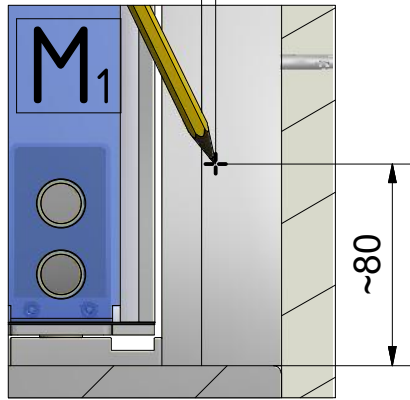
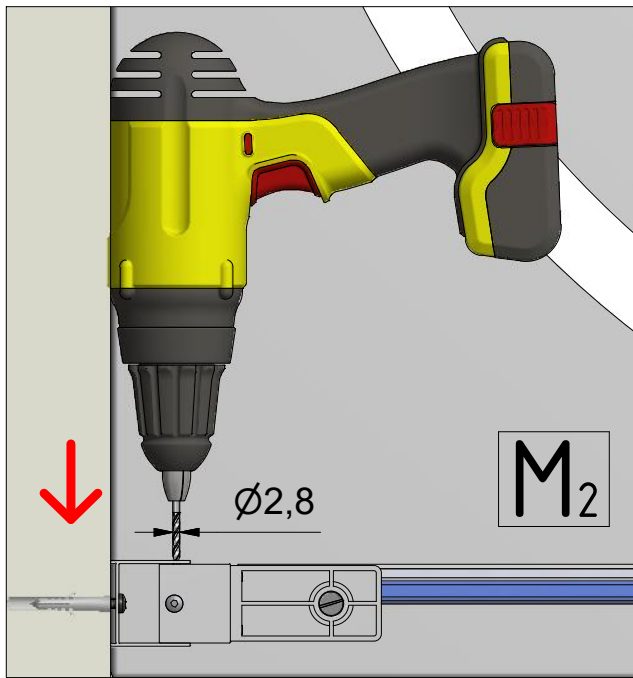
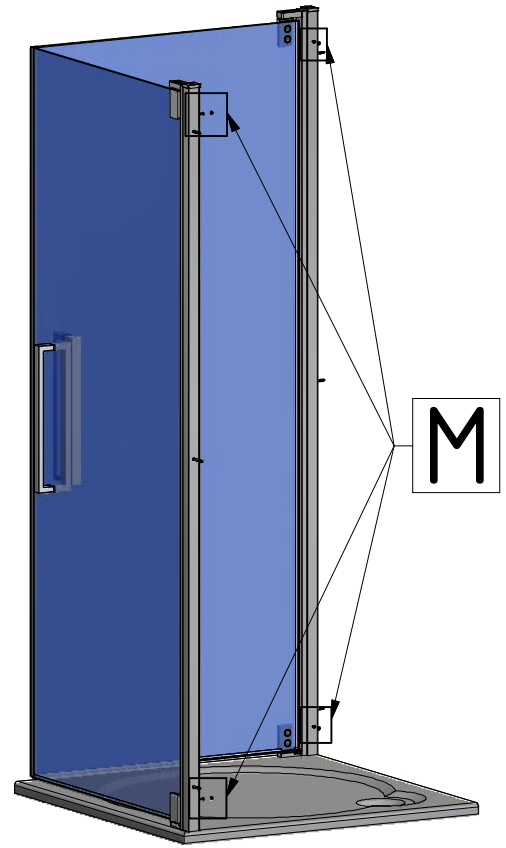
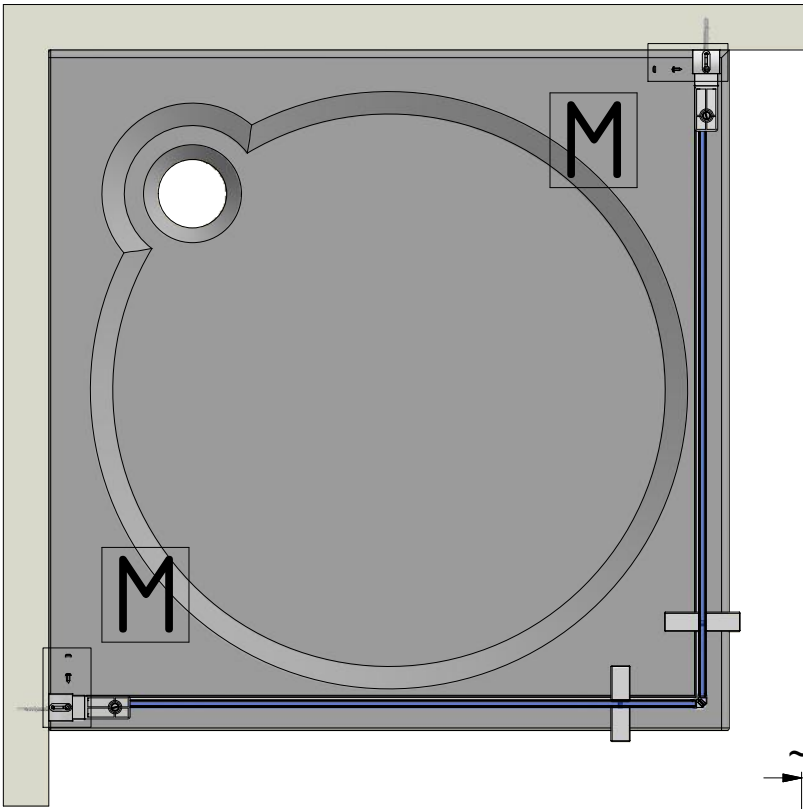


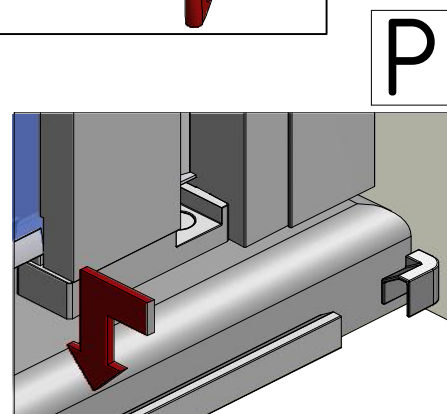
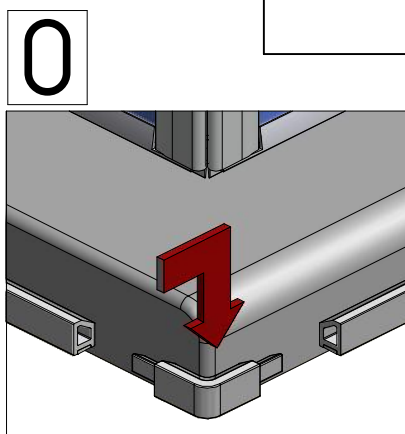
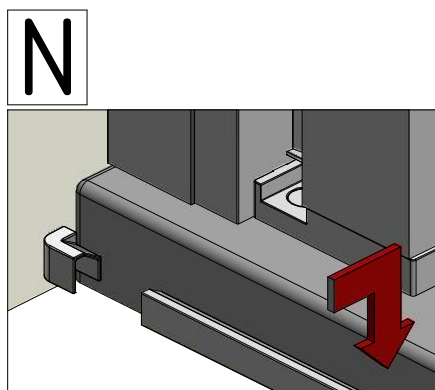
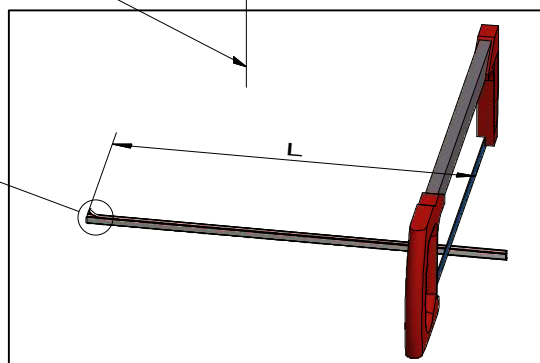
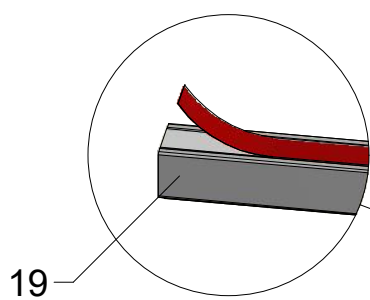
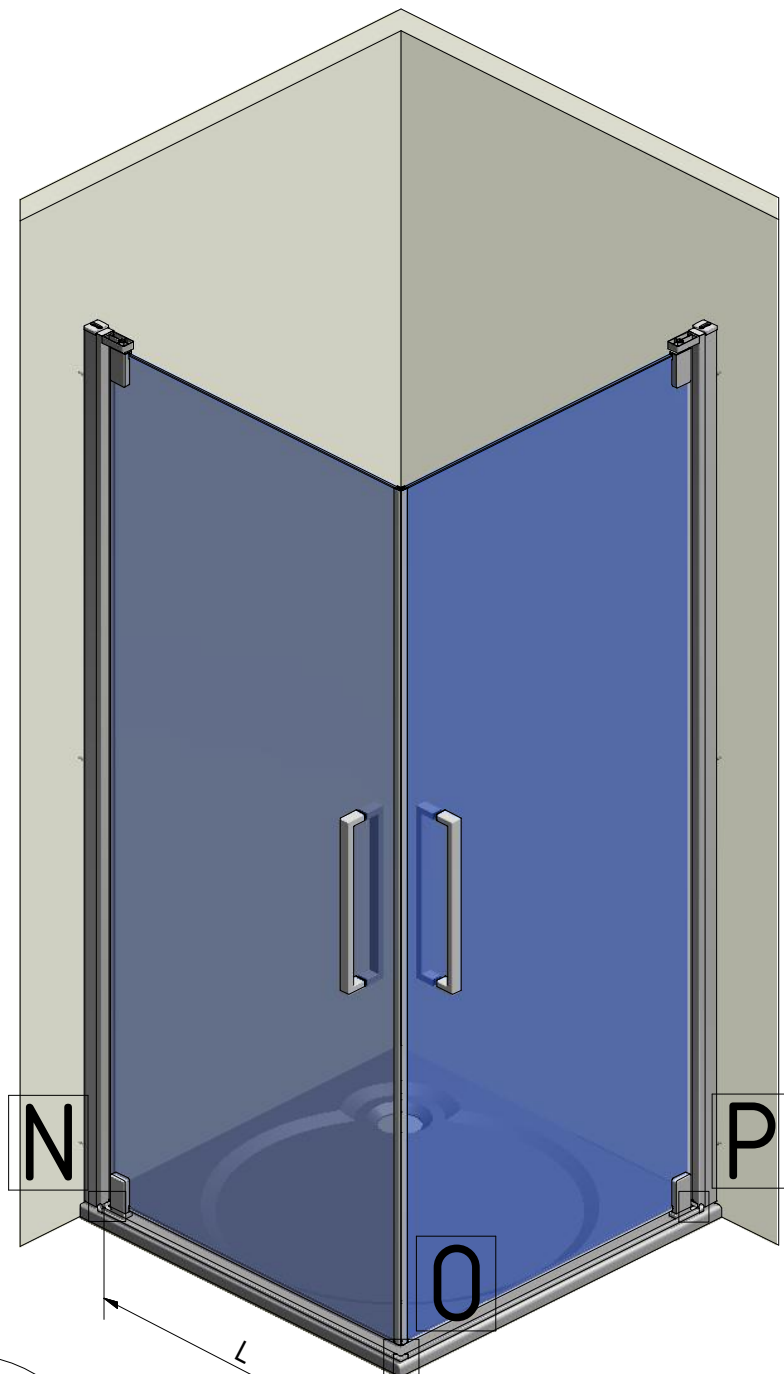
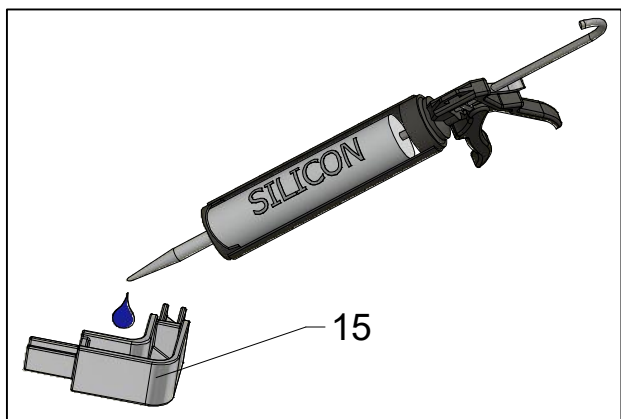
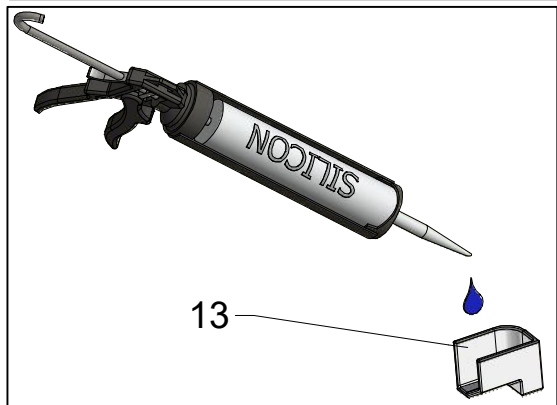
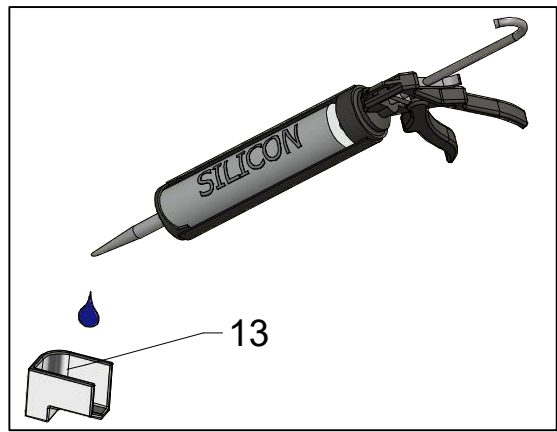
OK

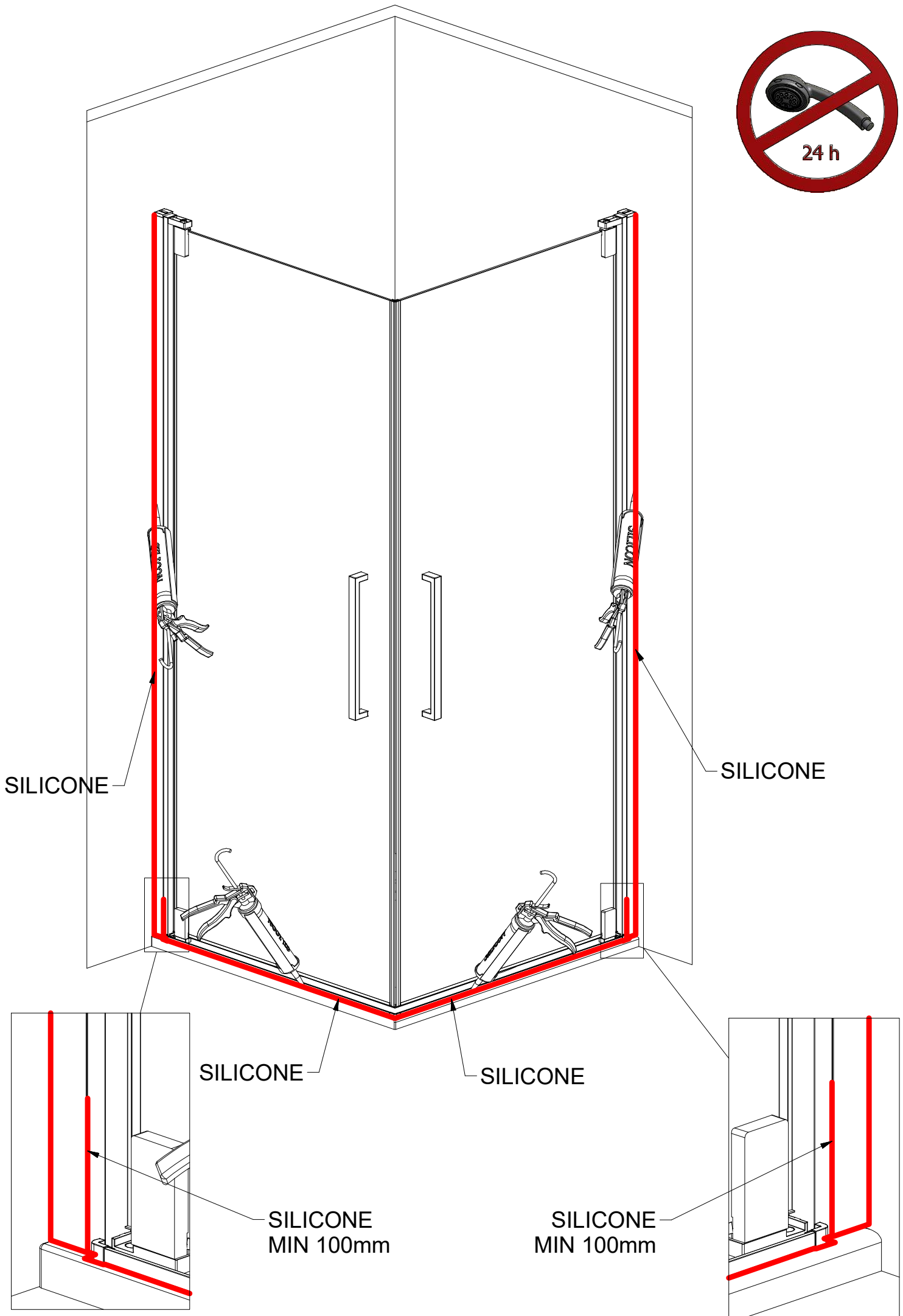


J









SILICONE

SILICONE

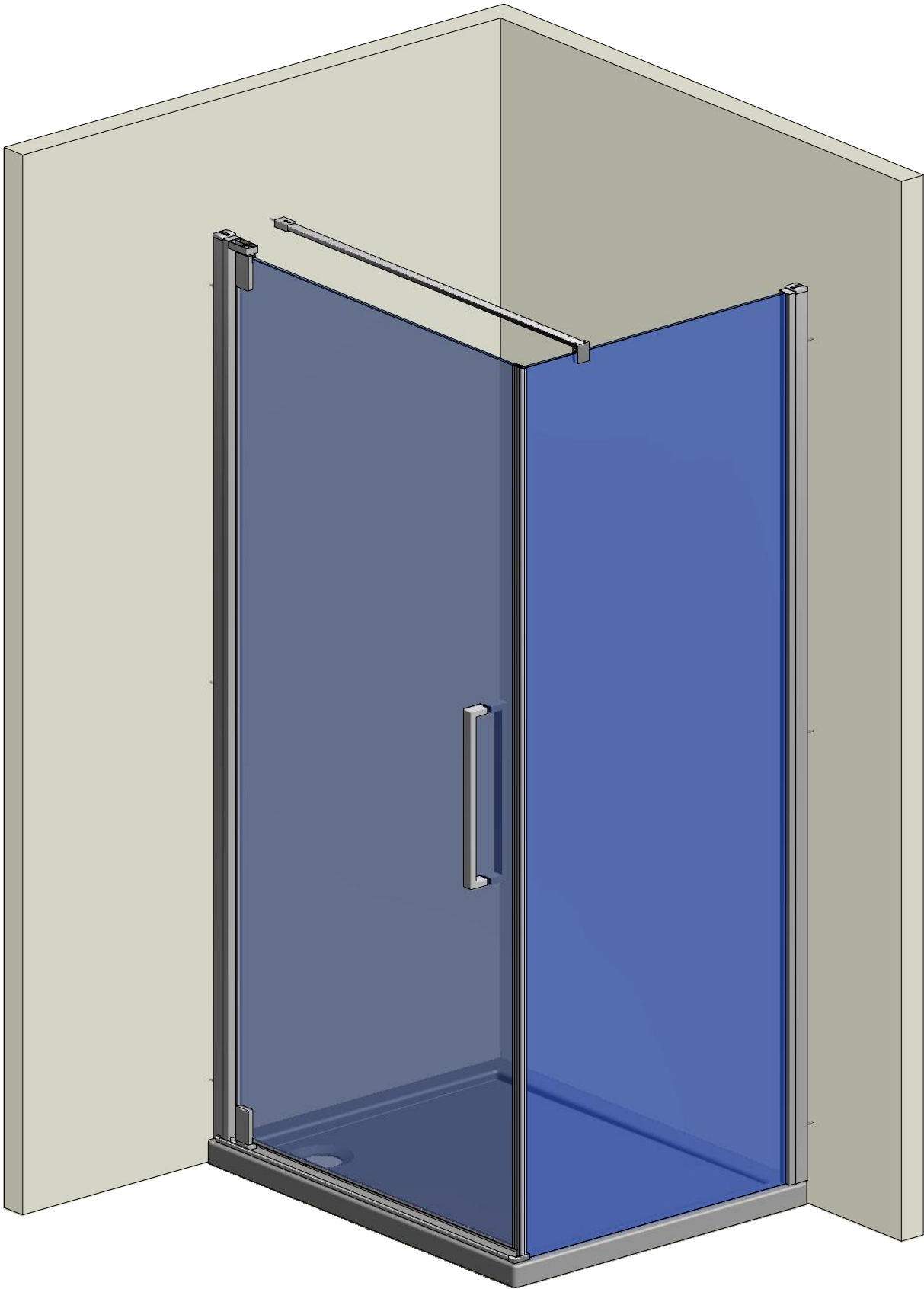
SILICONE

SILICONE

SILICONE
MIN 100mm

SILICONE
MIN 100mm

HI P12 + HI FXP

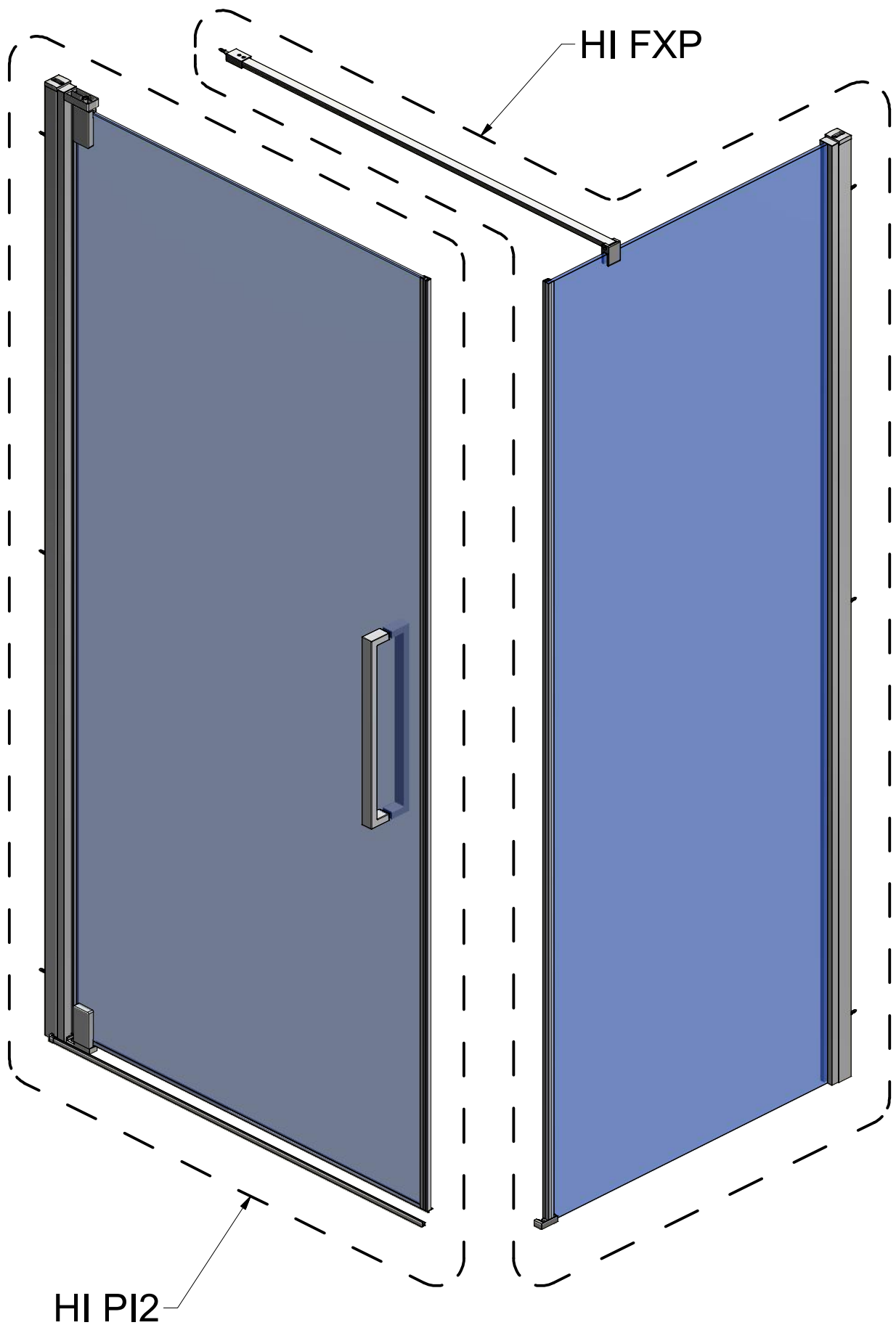


HI PI2 + HI FXP

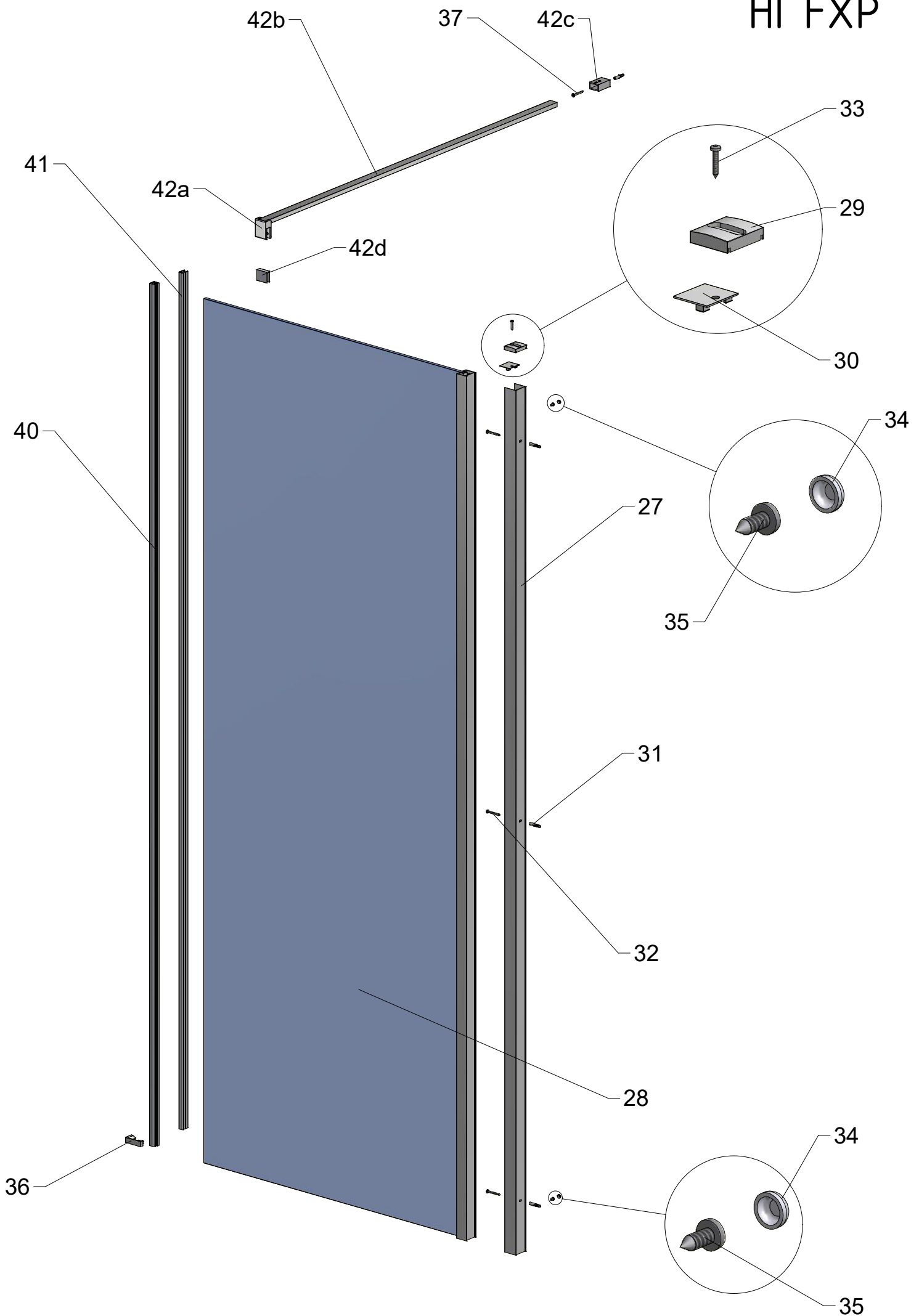
Sehen Montageanleitung HI PI2 + HI PI2

See installation instructions HI PI2 + HI PI2

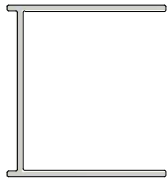
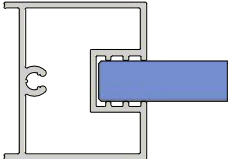
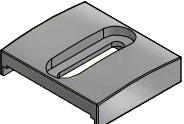
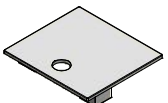





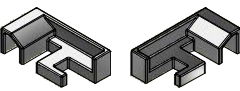





Dle montážního návodu HI PI2 + HI PI2



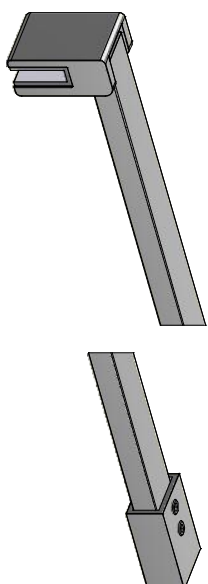
HI FXP

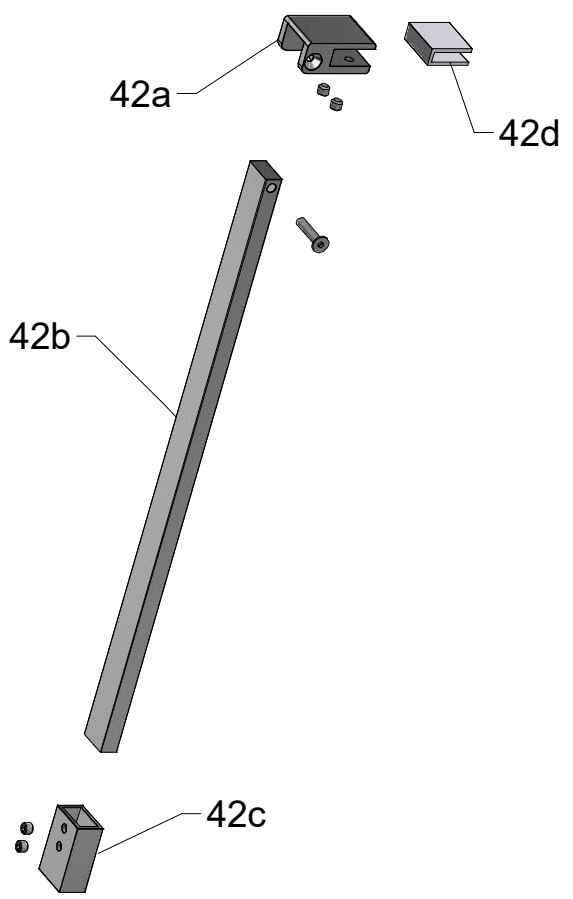


HI FXP

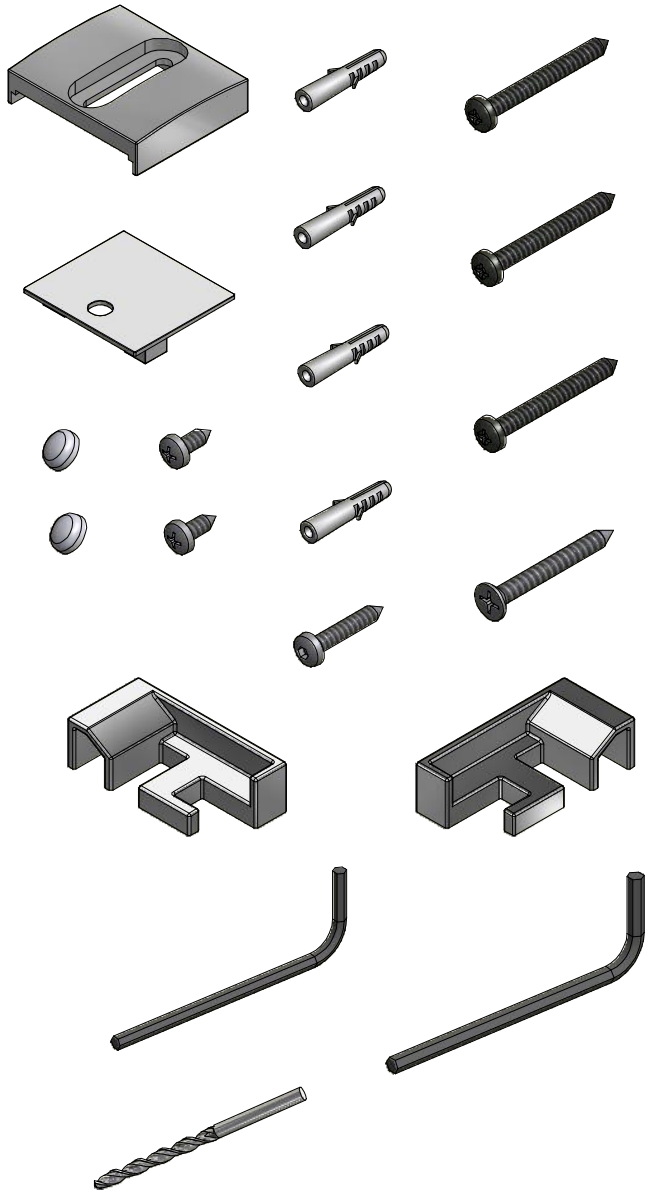
POS.	PREVIEW	PCS	SPARE PART
27		1	ND01-4007
28		1	V279
29		1	ND01-4006
30		1	ND01-4006
31		4	ND01-4006
32		3	ND01-4006
33		1	ND01-4006
34		2	ND01-4006
35		2	ND01-4006
36	 (1+1) SET		ND01-4006
37		1	ND01-4006
38		1	ND01-4006
39		1	ND01-4006
40		1	ND01-4009
41		1	ND01-4009

HI FXP

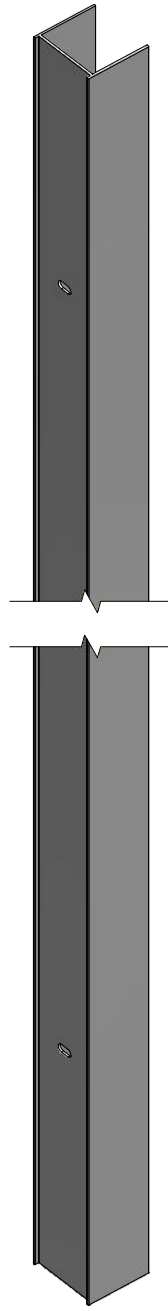
POS.	PREVIEW	PCS	SPARE PART
42		1	ND01-3828-00



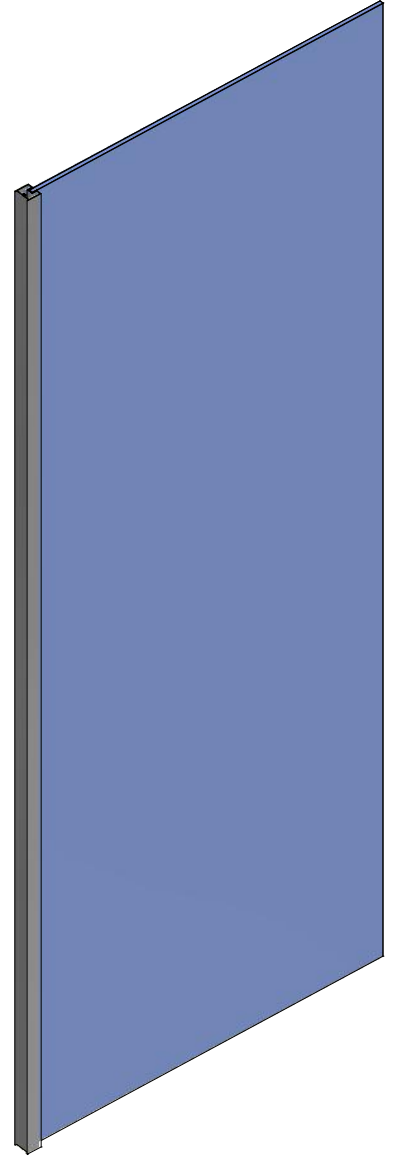
ND01-4006



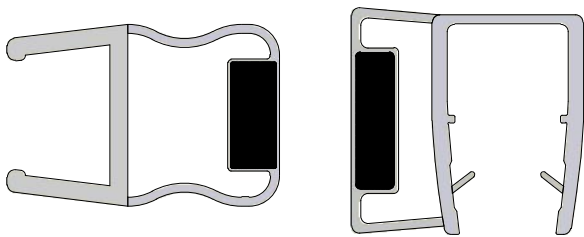
ND01-4007



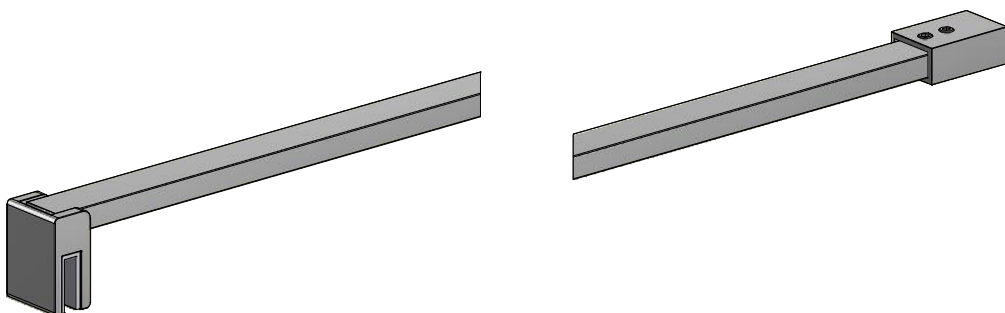
V279



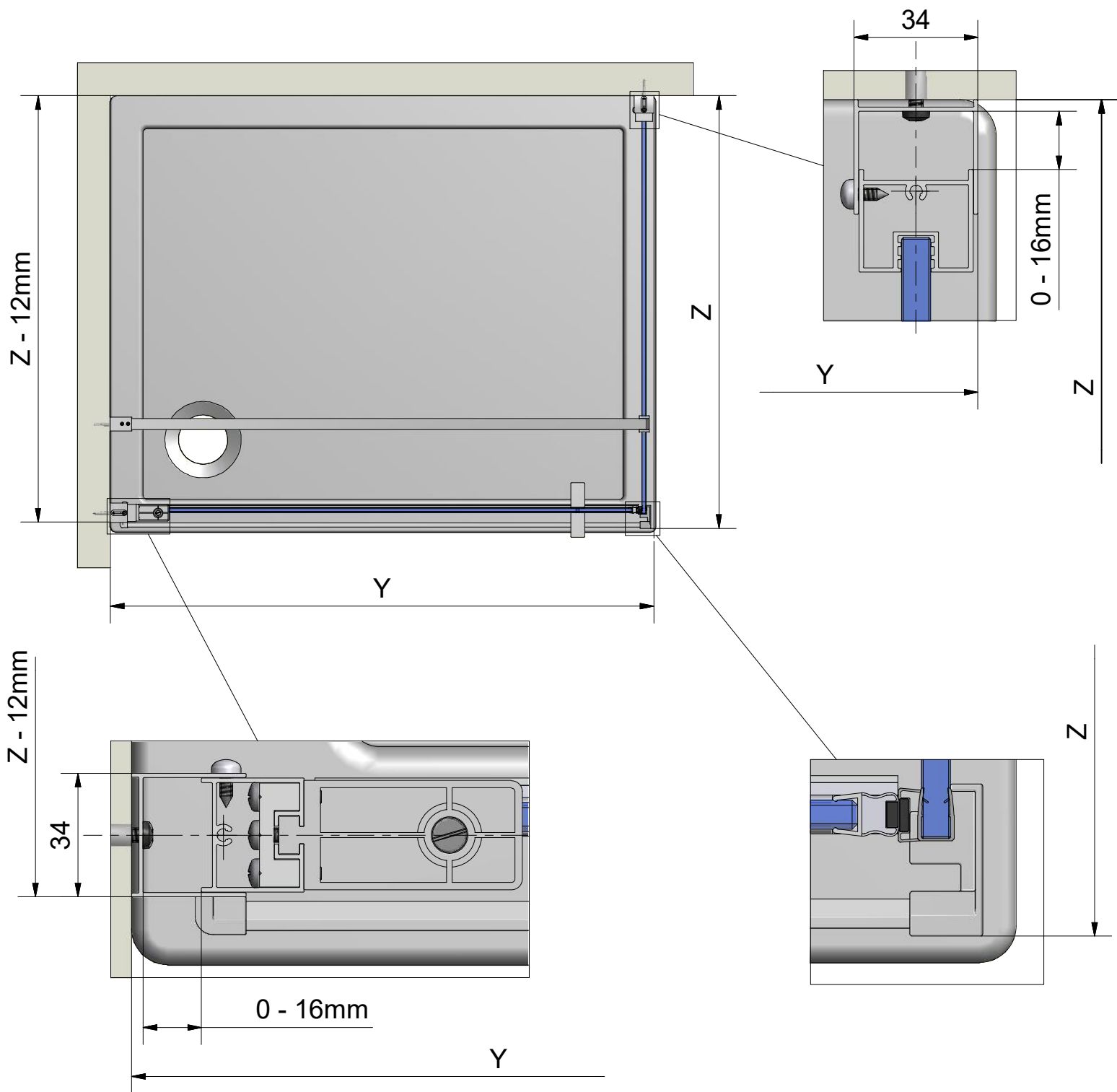
ND01-4009



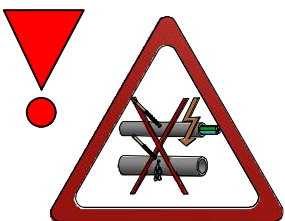
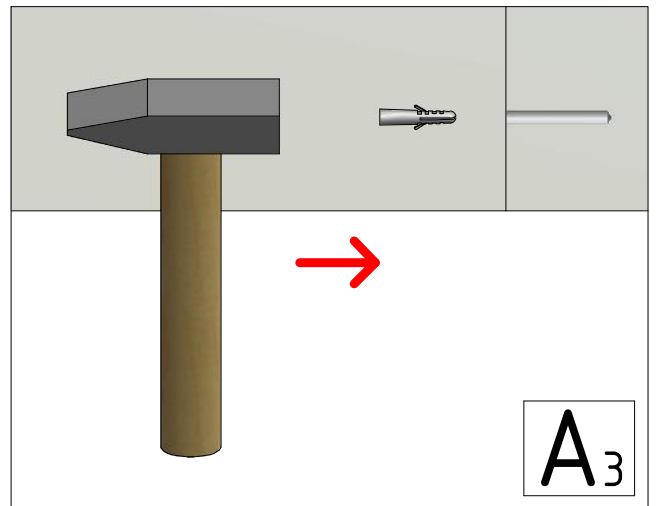
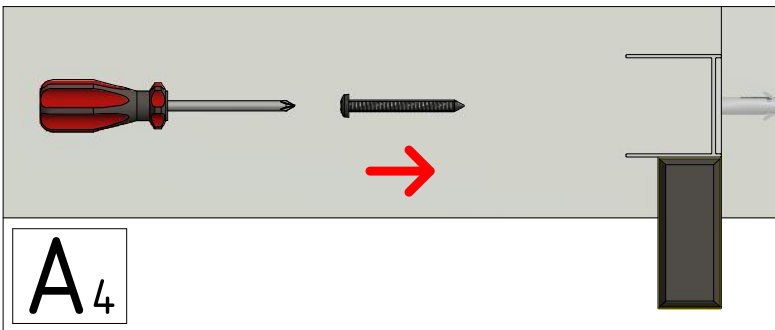
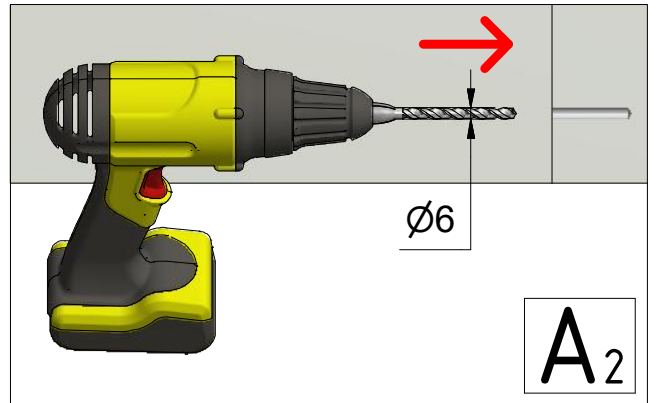
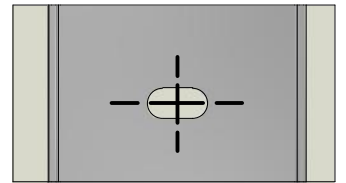
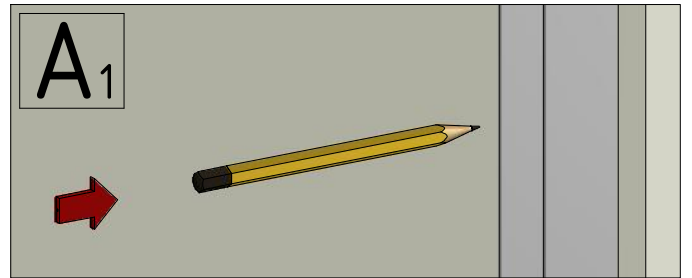
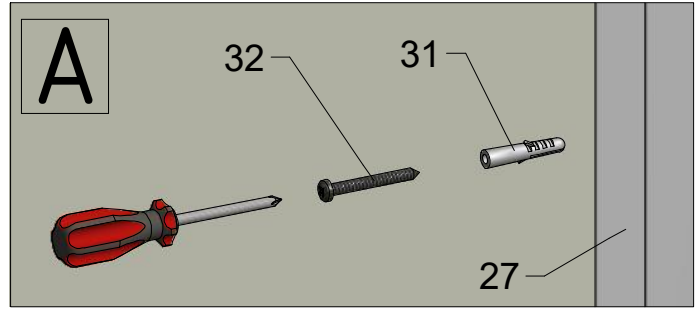
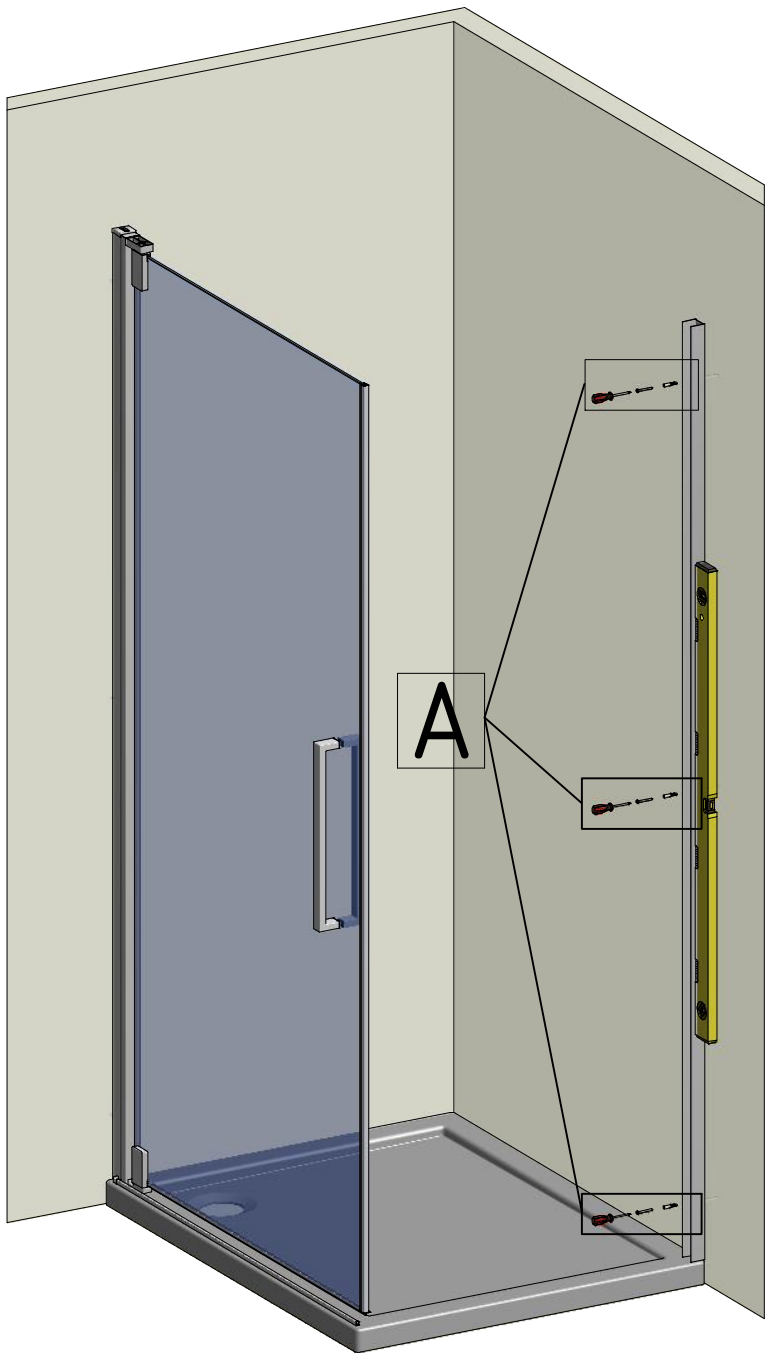
ND01-3828-00

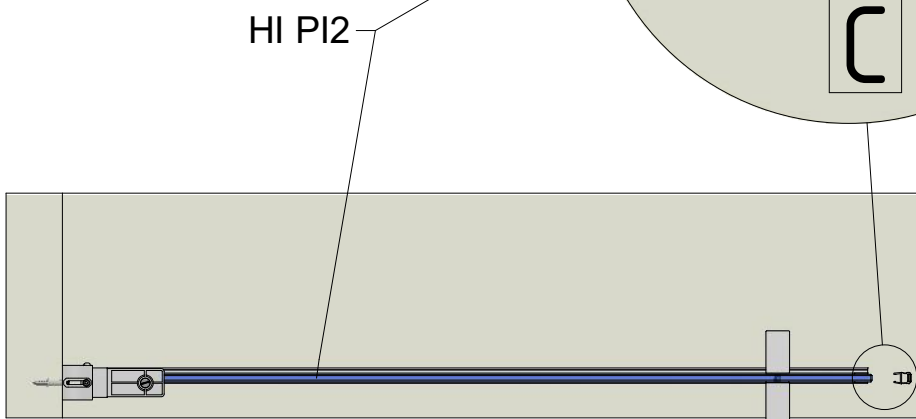
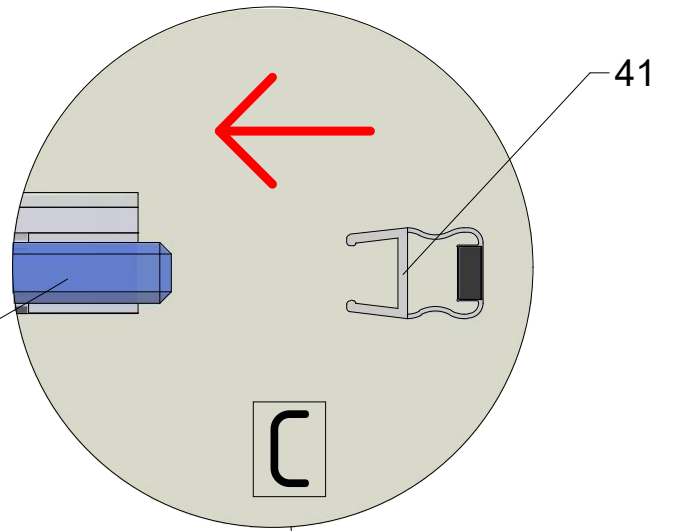
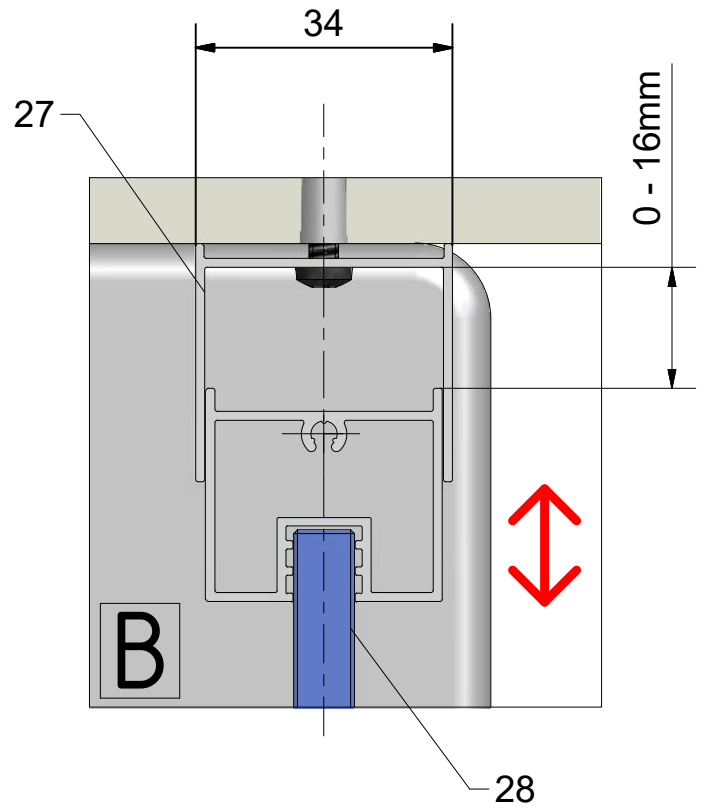
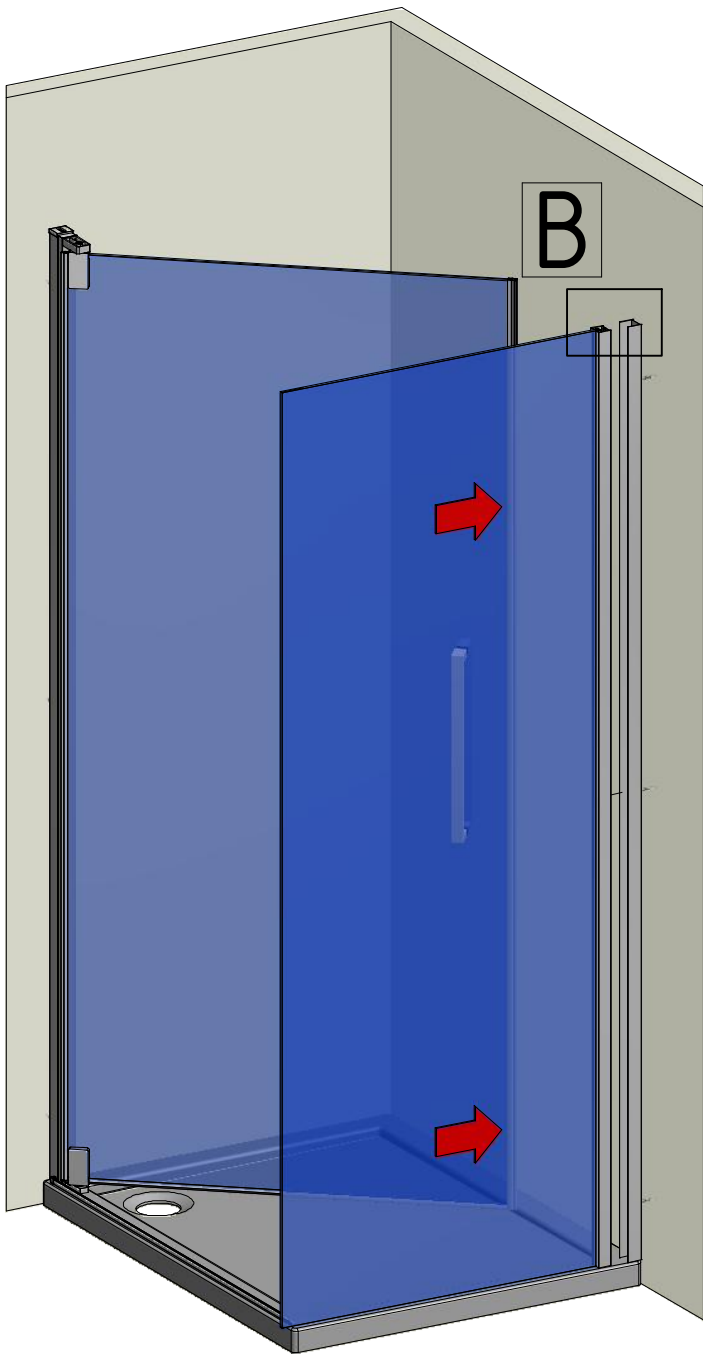


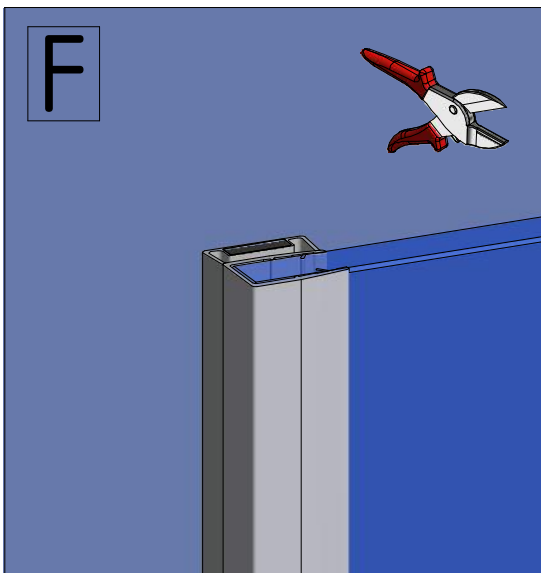
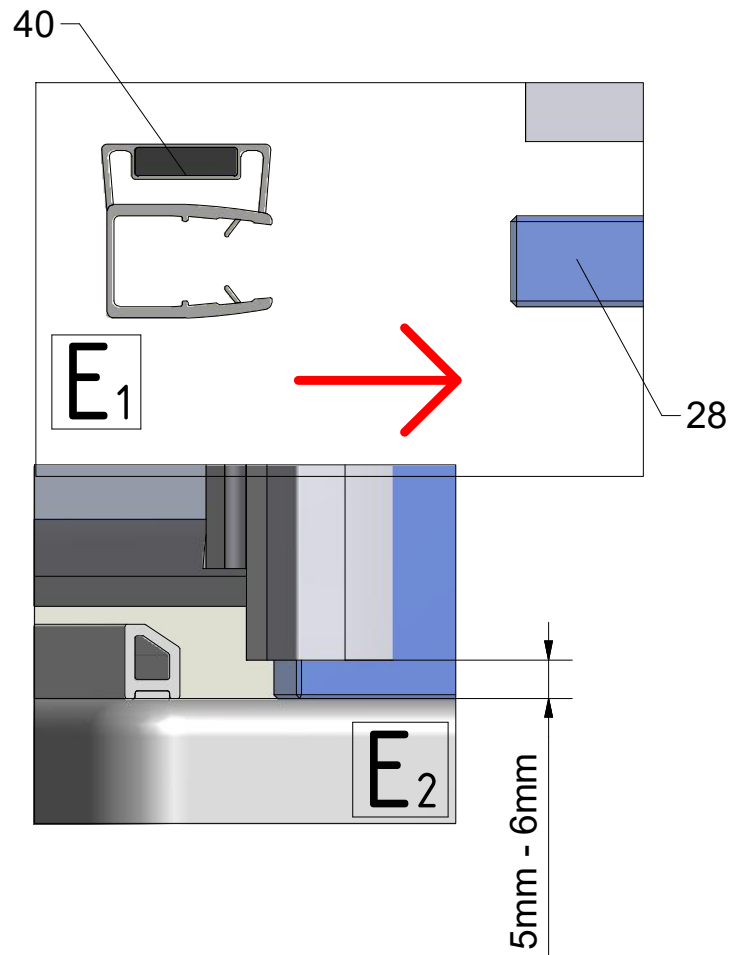
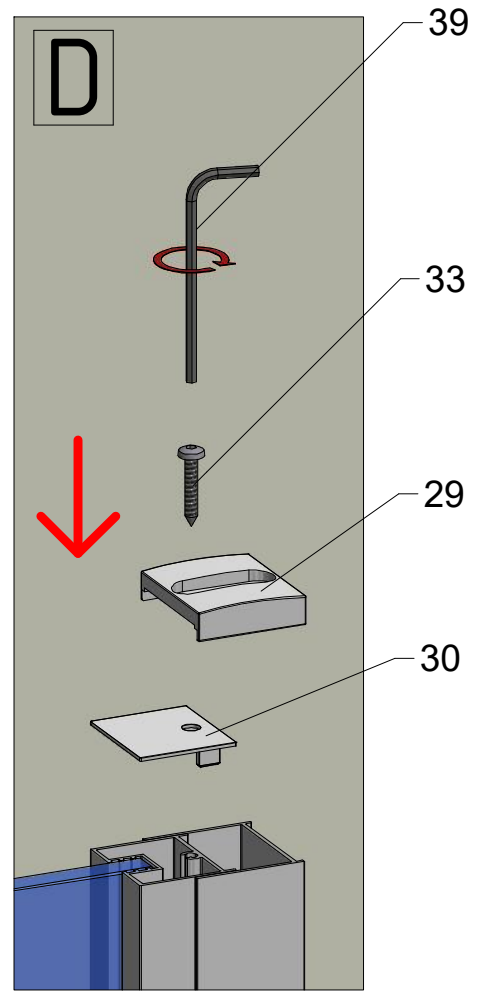
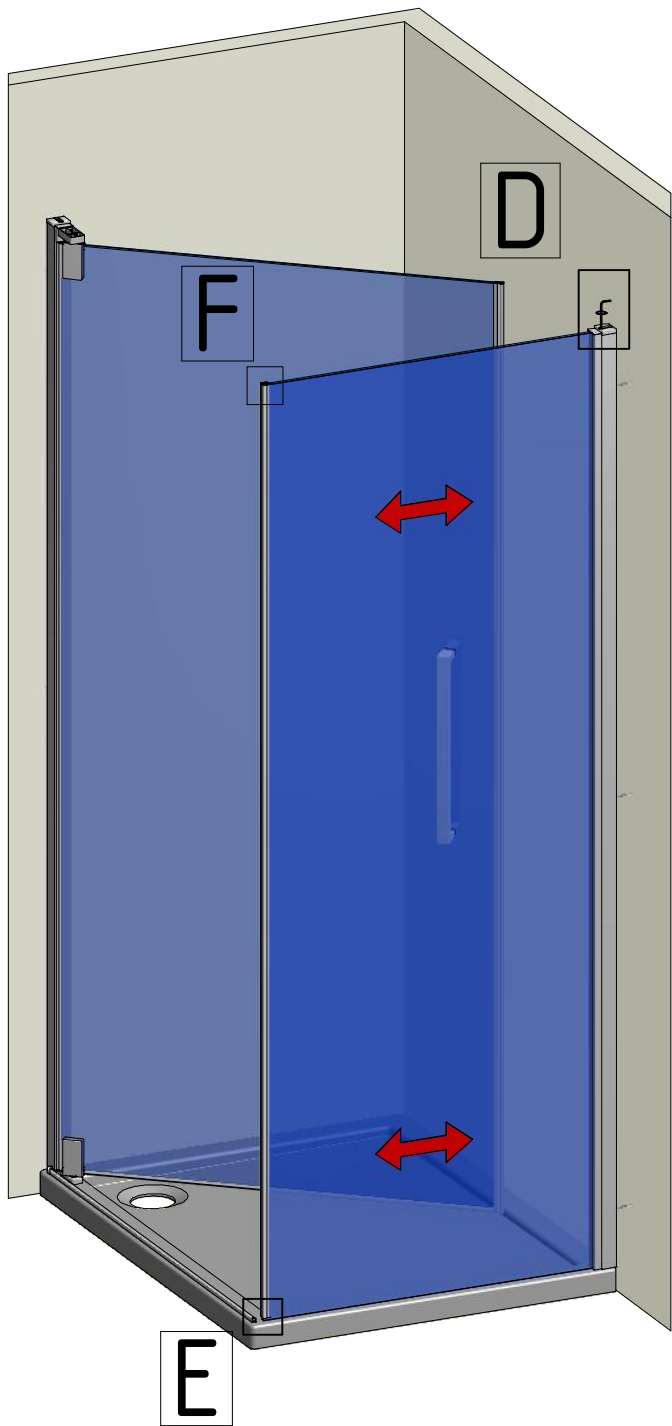
HI PI2 + HI FXP

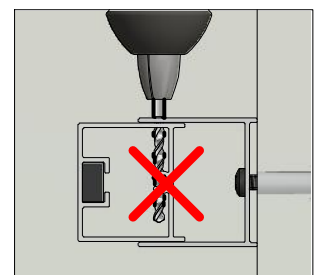
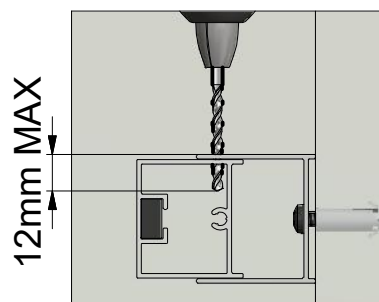
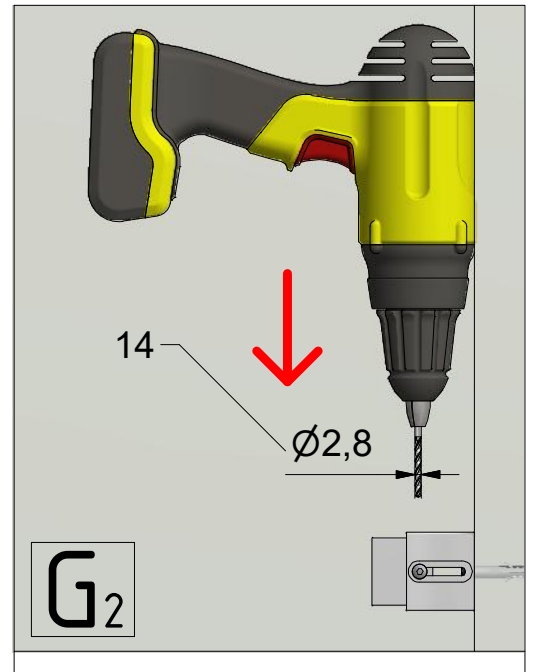
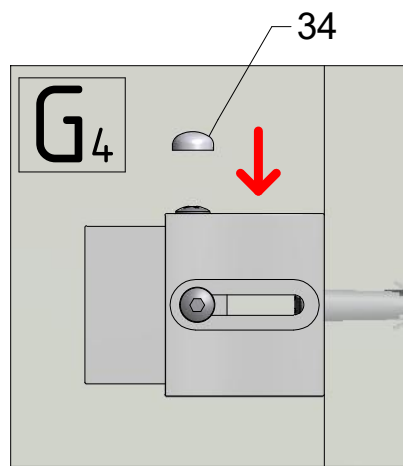
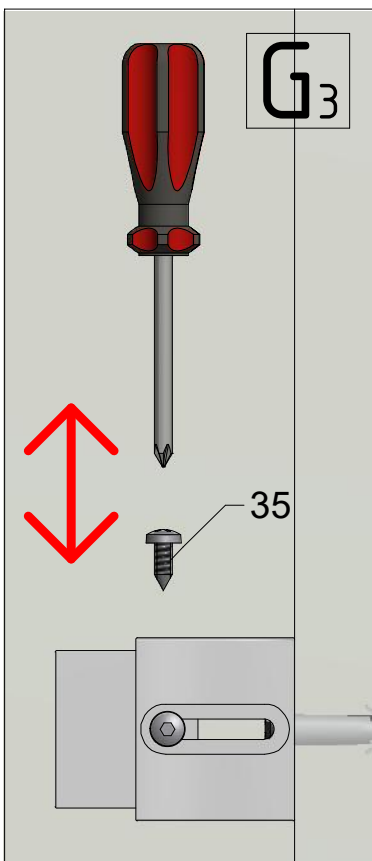
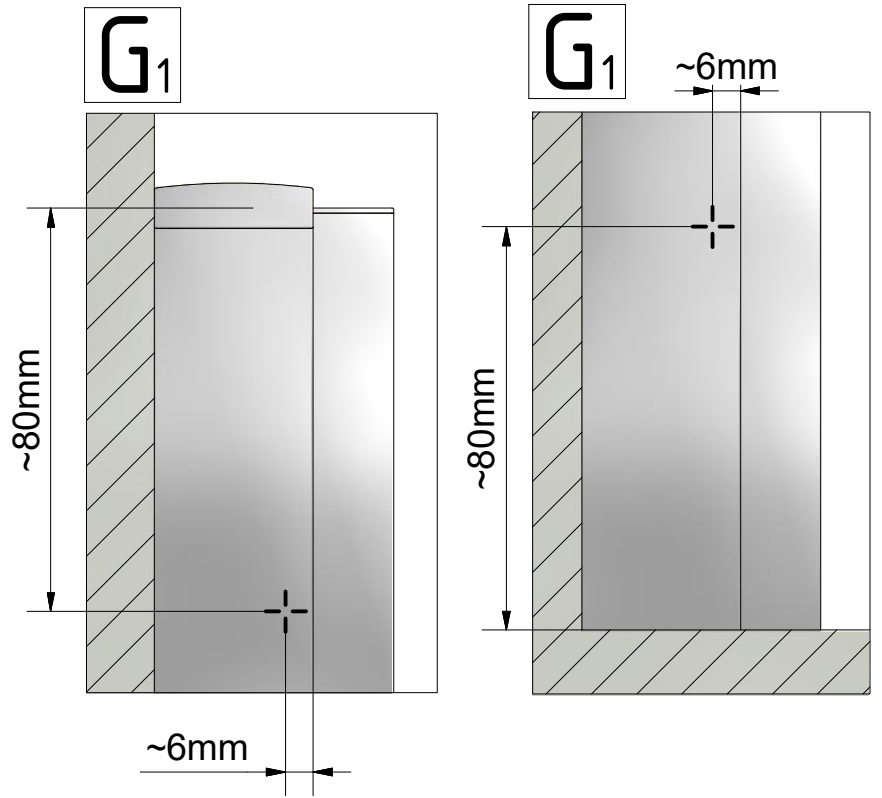
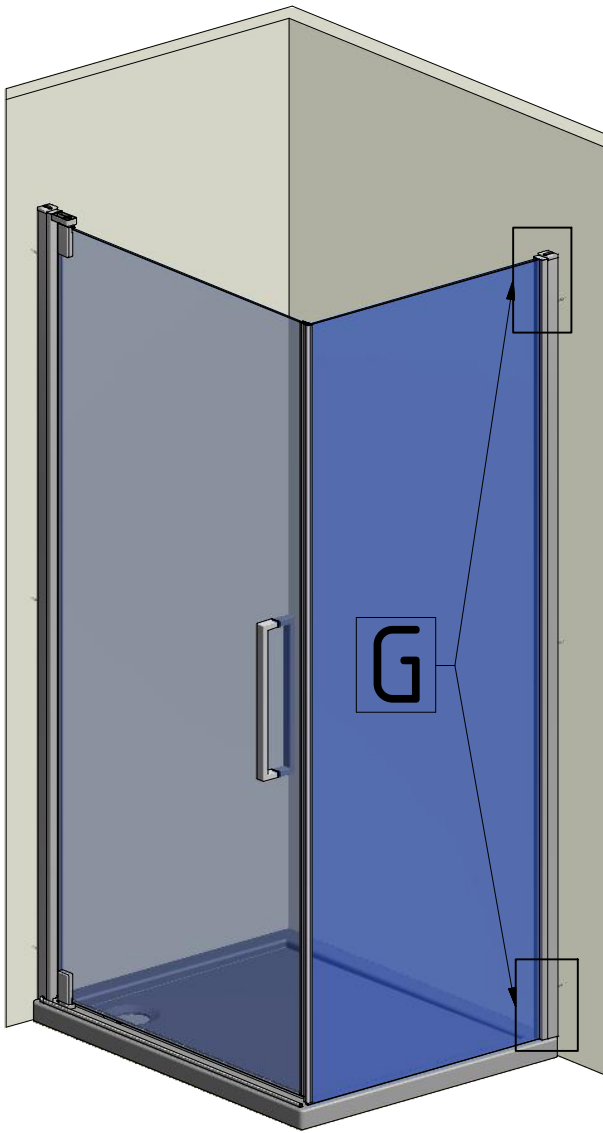


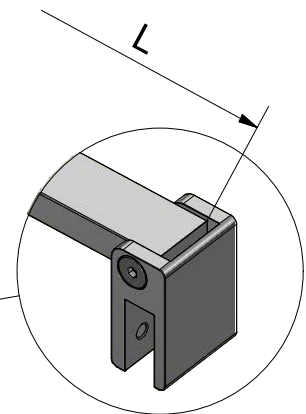
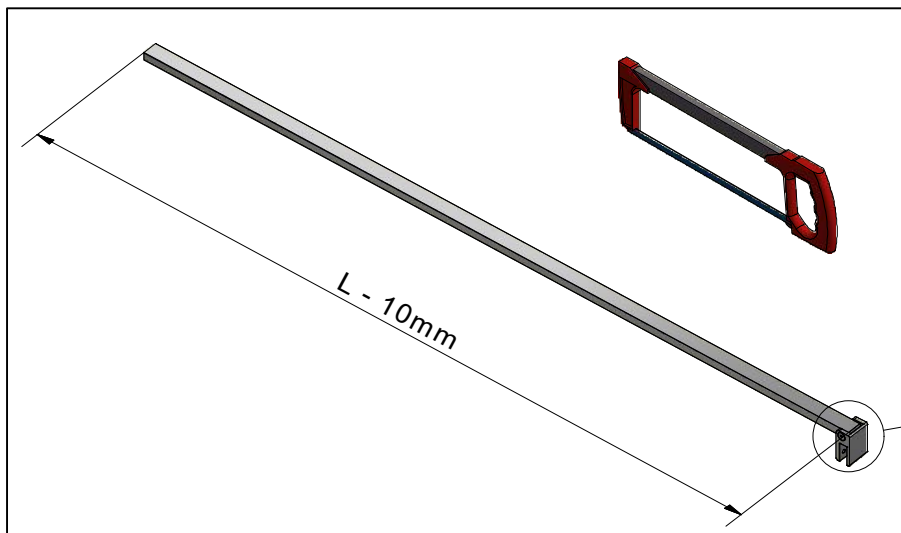
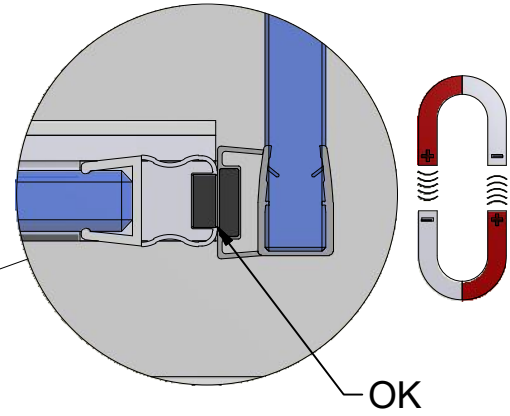
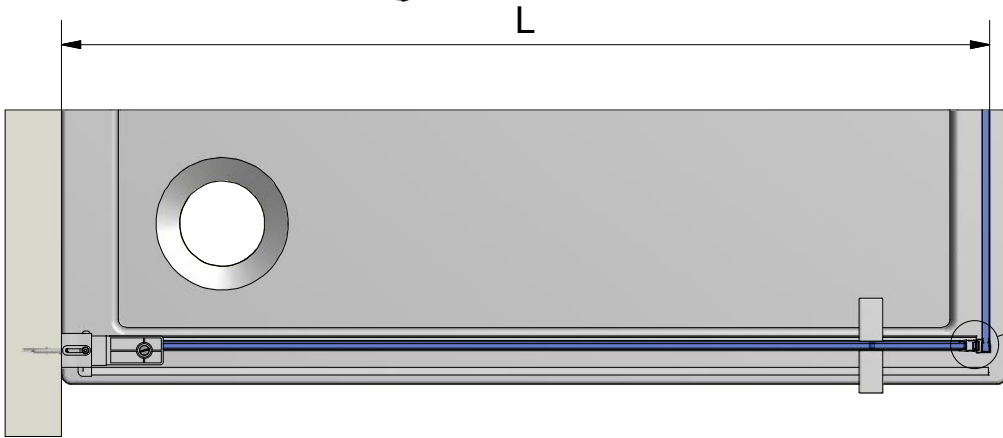
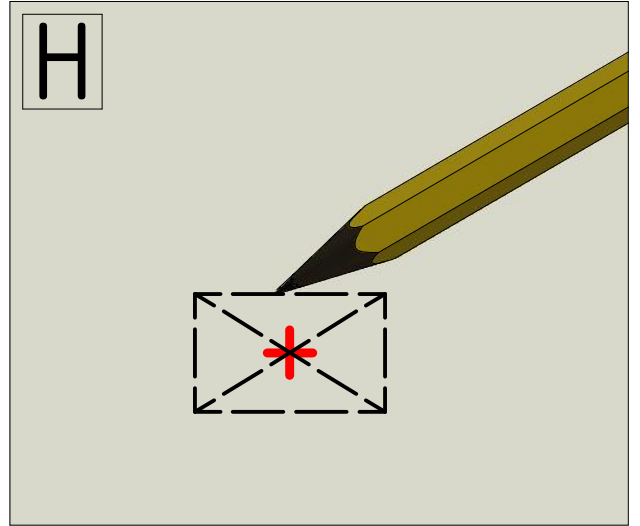
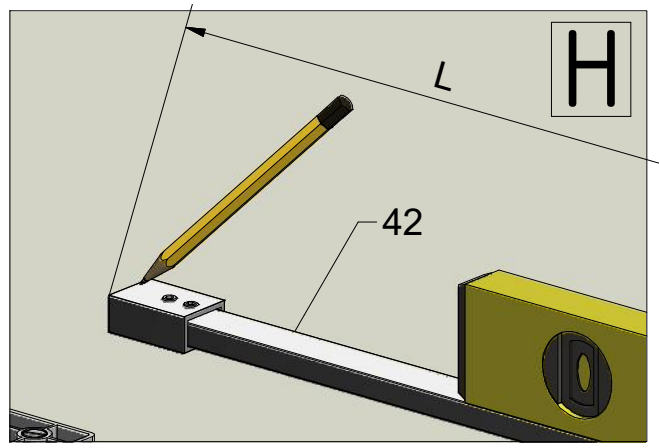
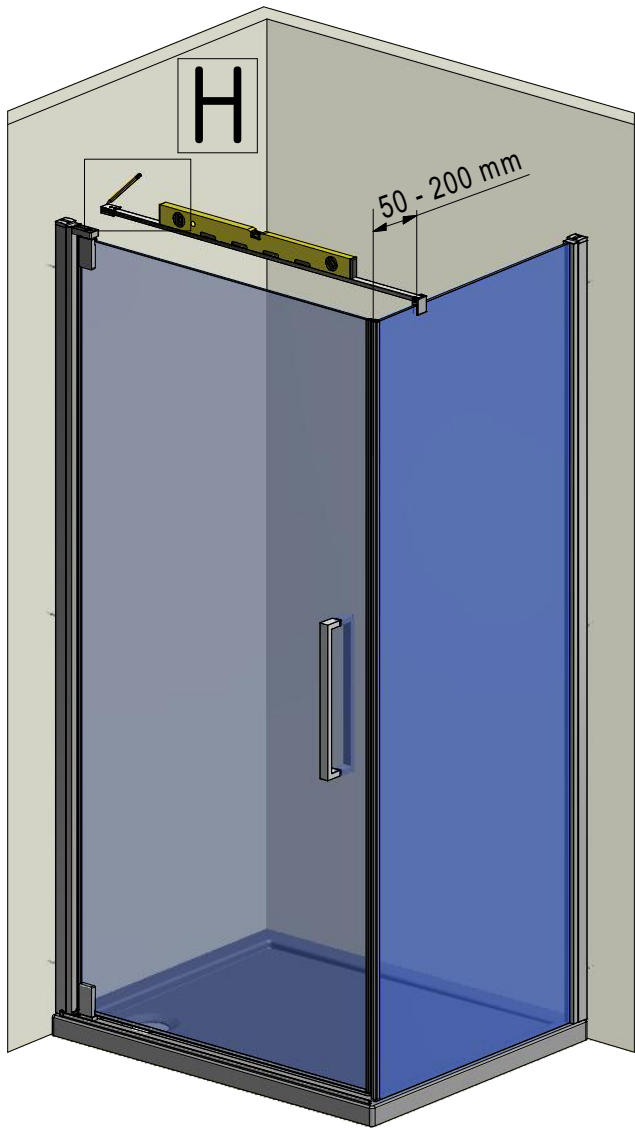
HI PI2 + HI FXP			
TYPE	Y (mm)	Z (mm)	Z - 12 (mm)
800	780 - 796	777 - 793	765 - 781
900	880 - 896	877 - 893	865 - 881
1000	980 - 996	977 - 993	965 - 981

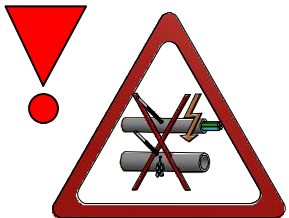
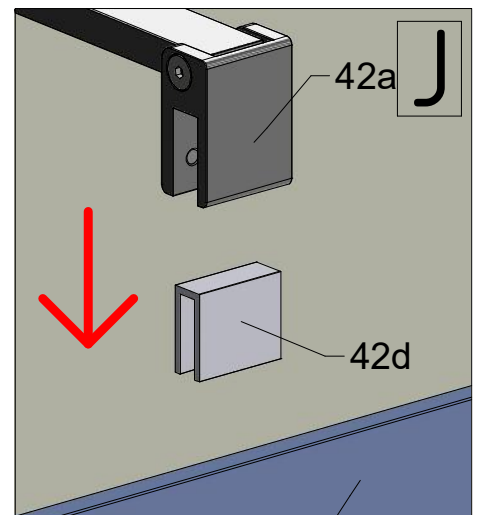
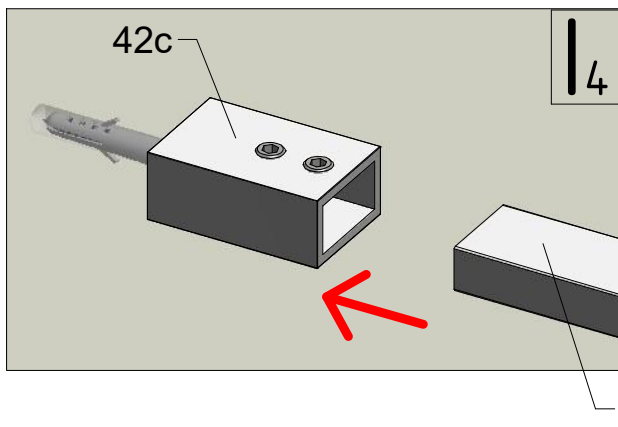
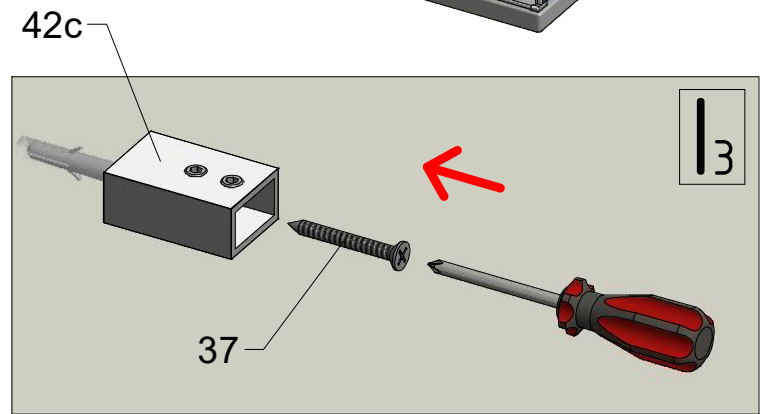
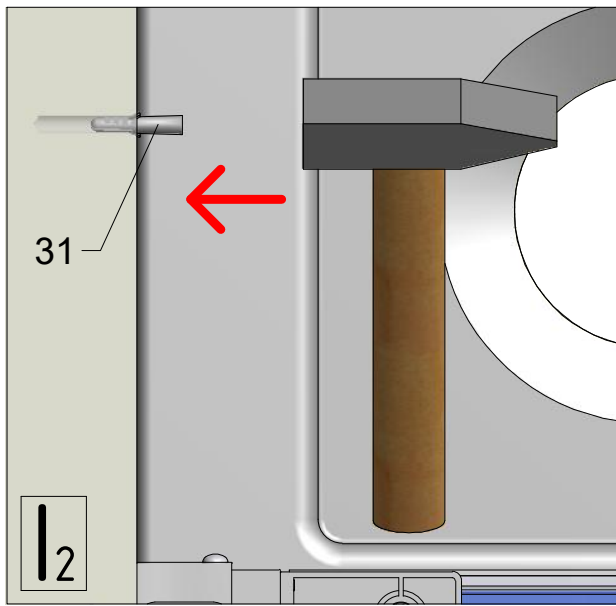
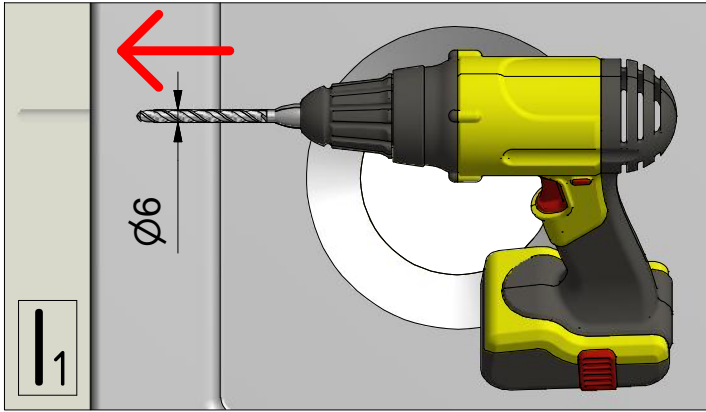
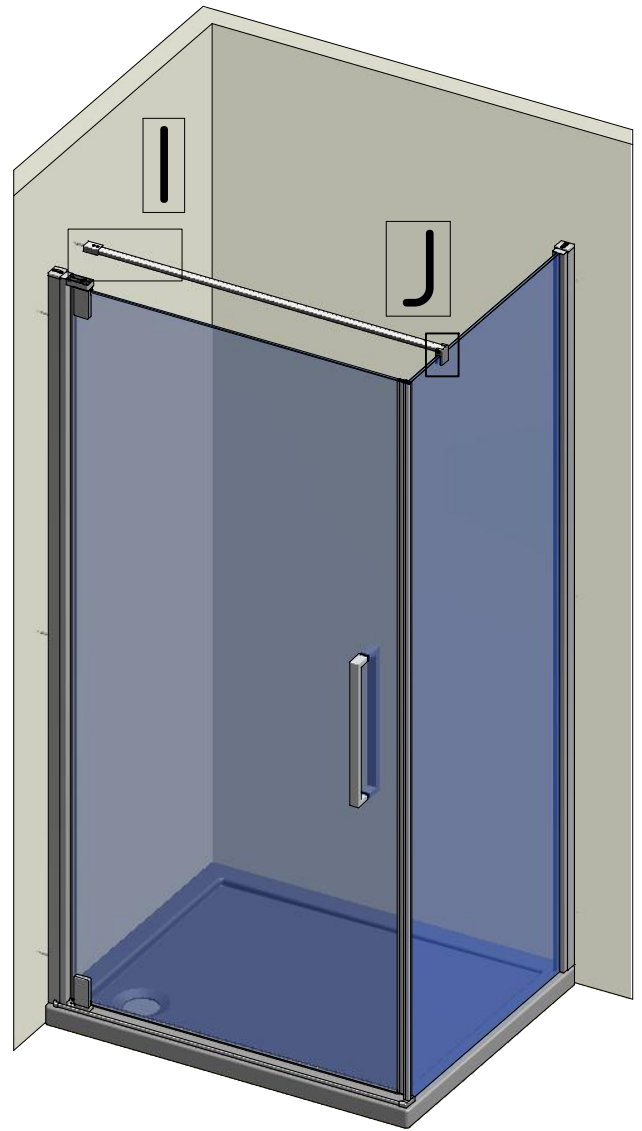
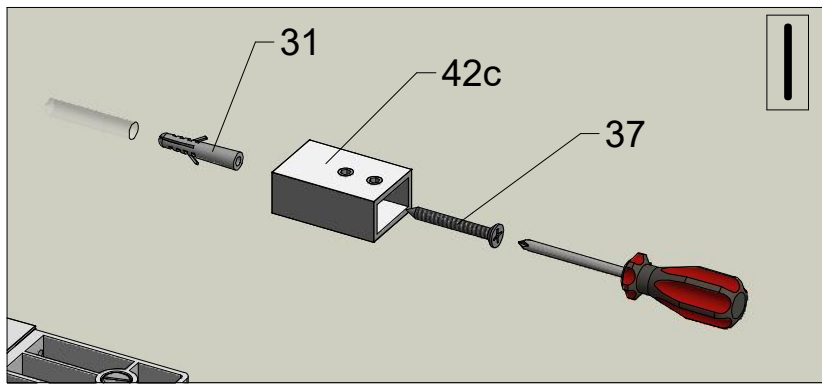




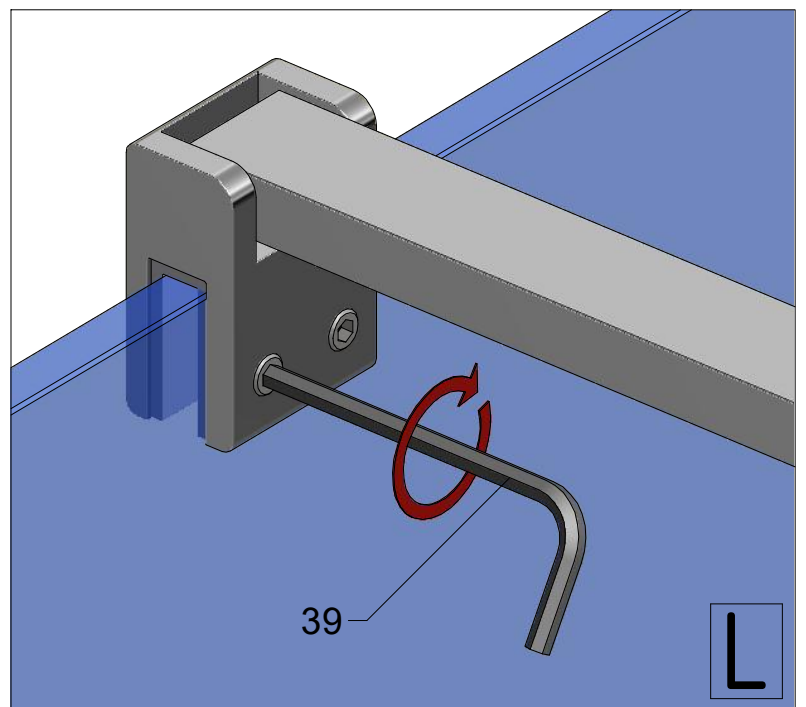
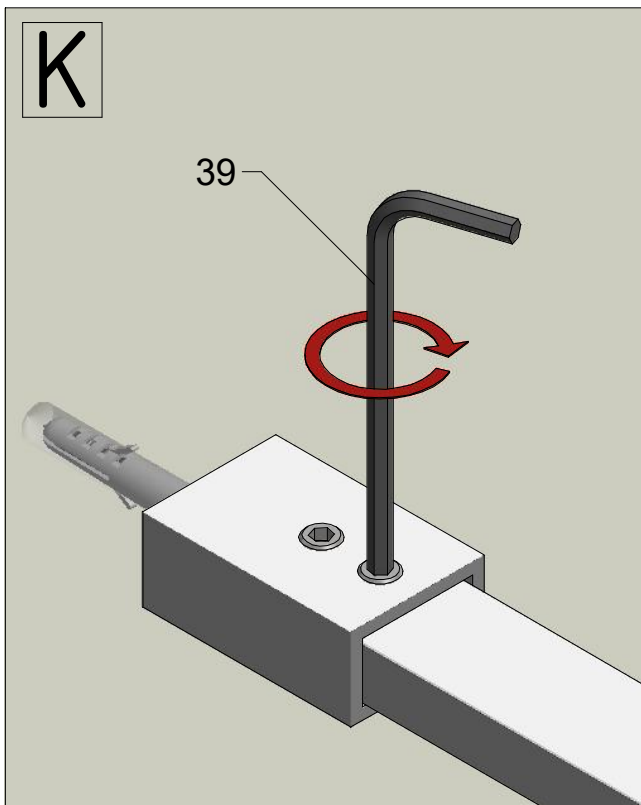
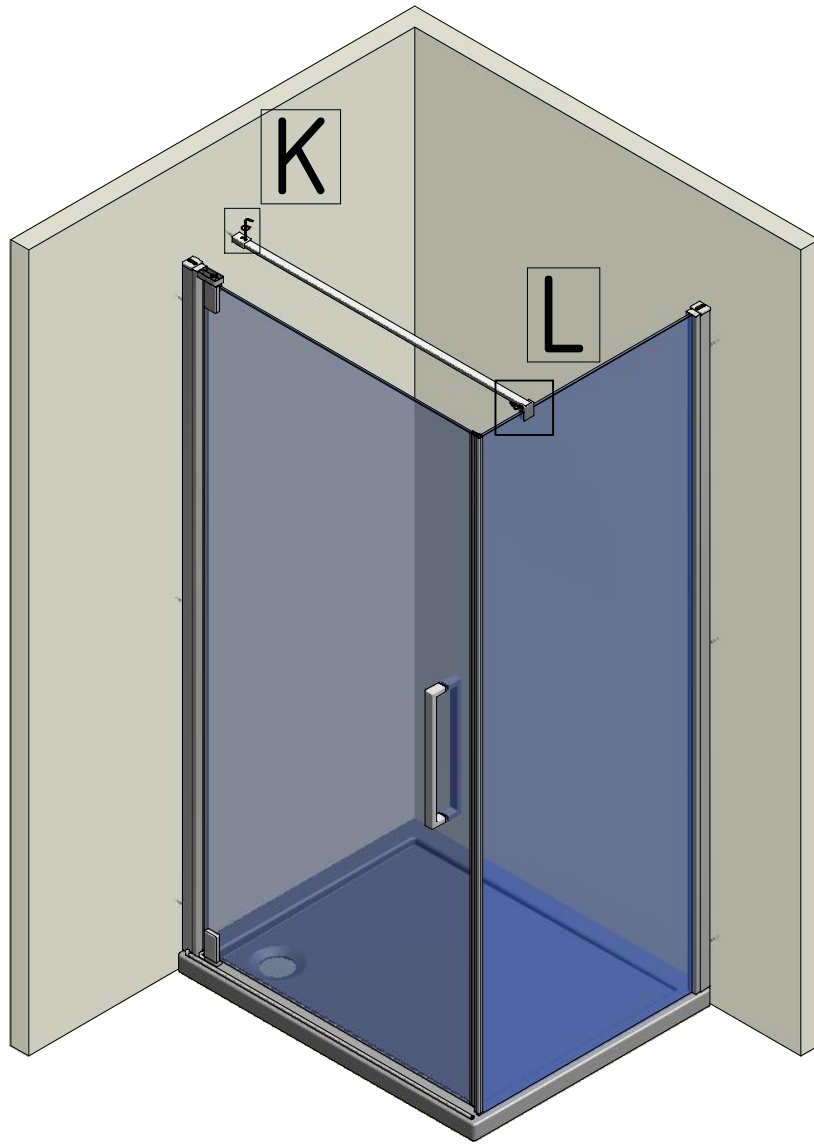


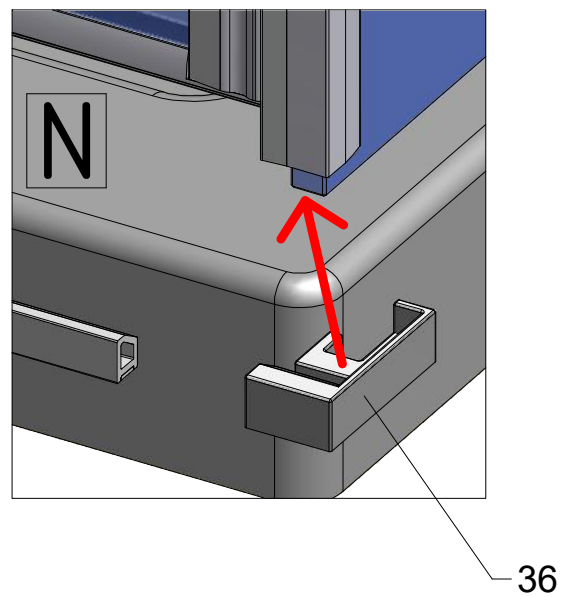
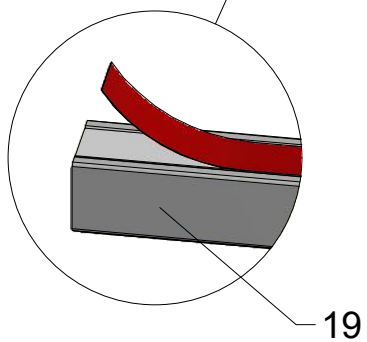
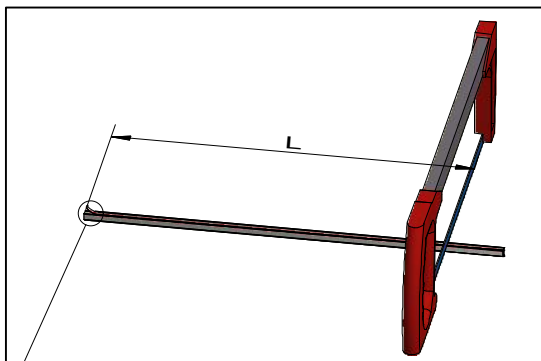
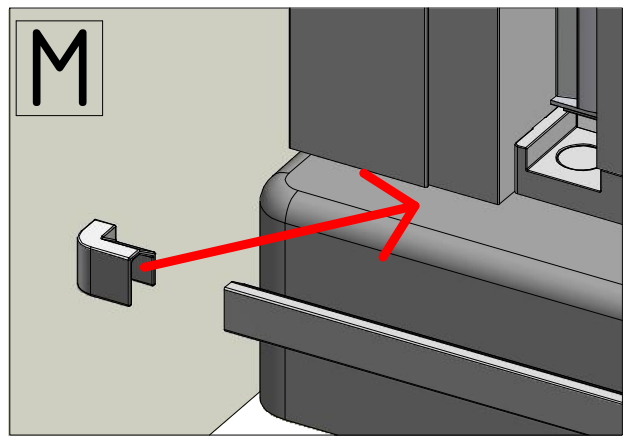
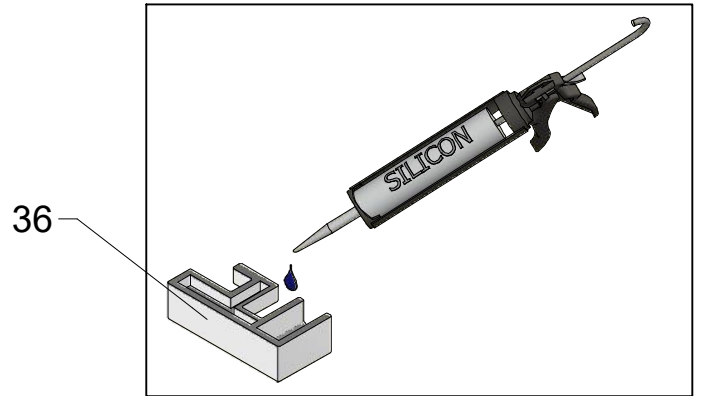
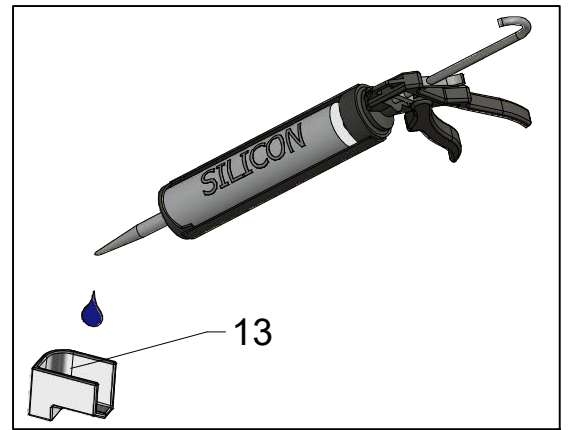
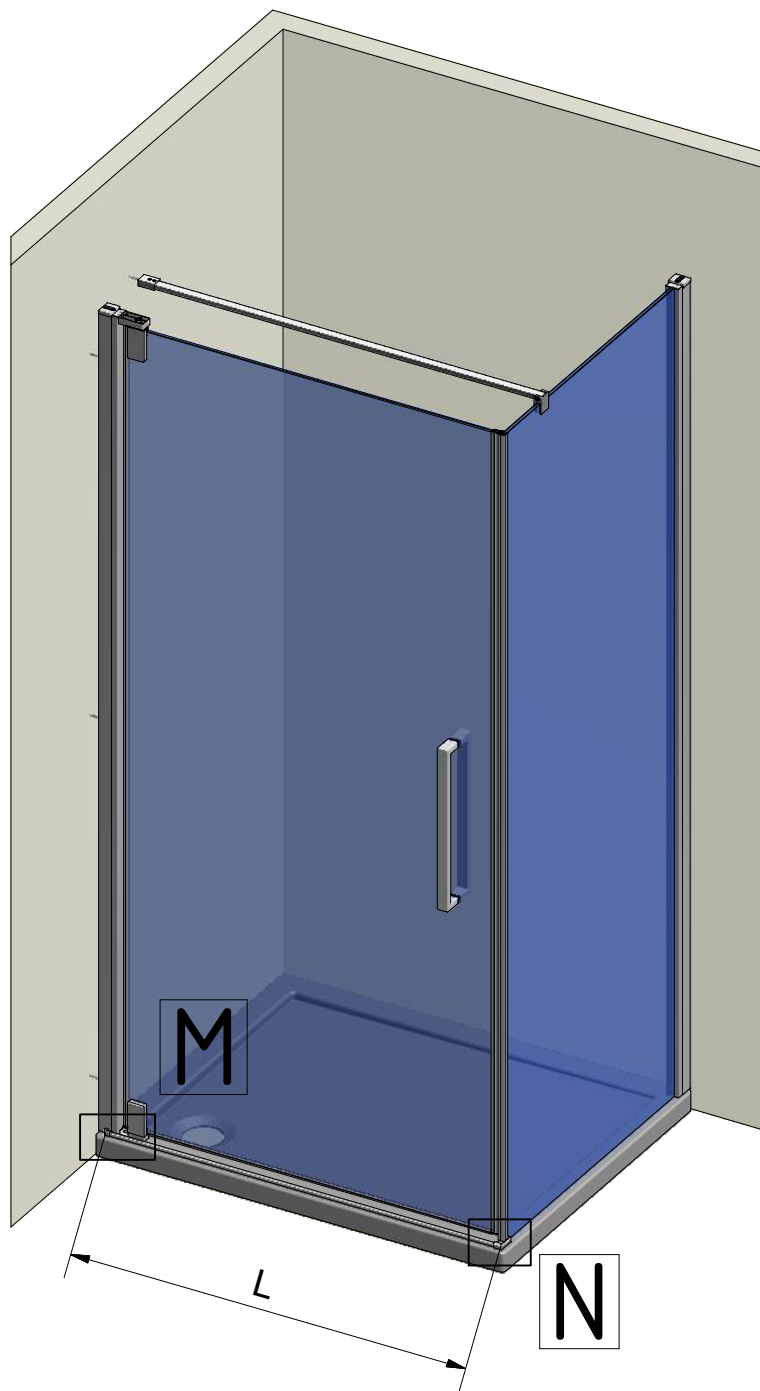


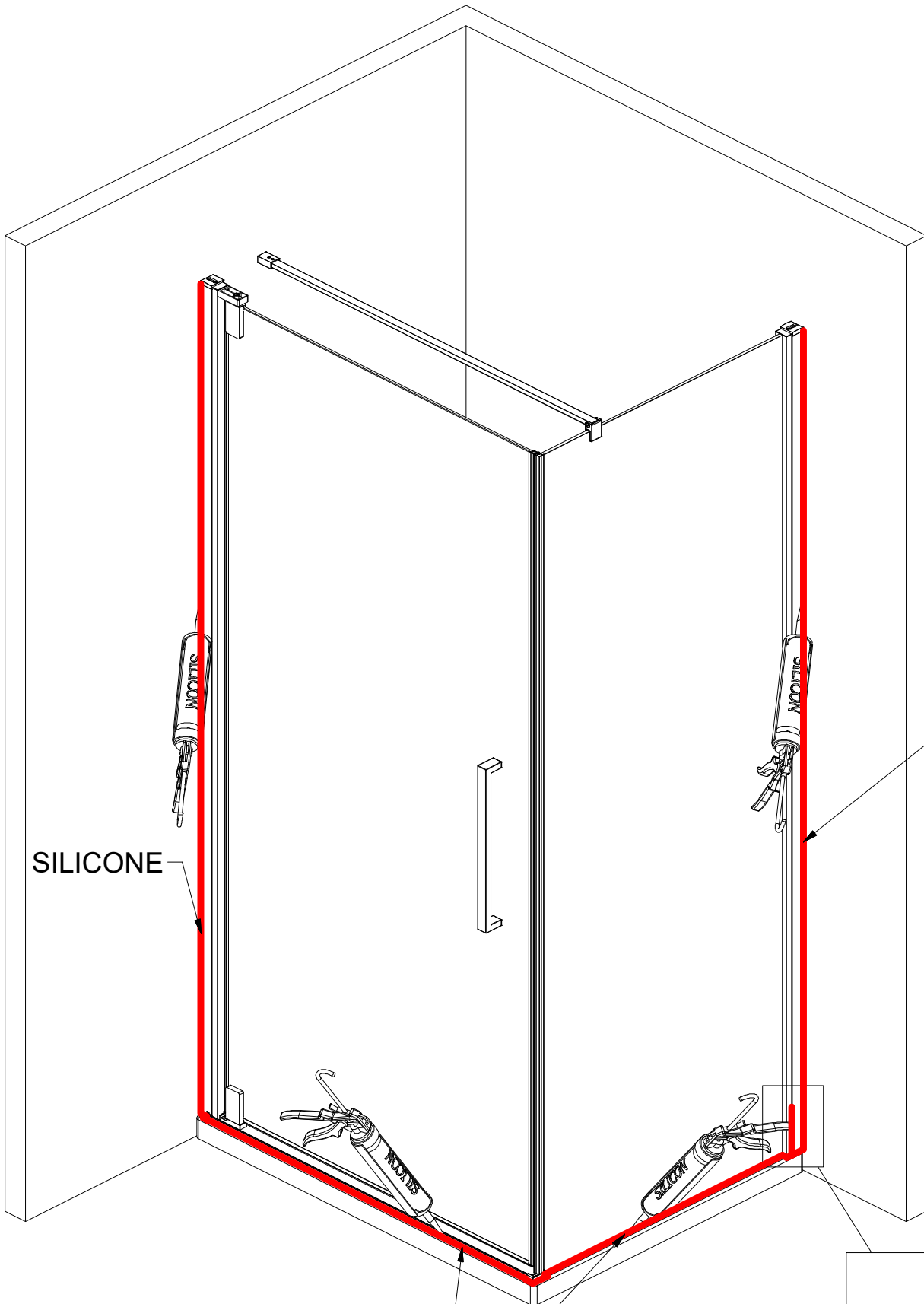




28





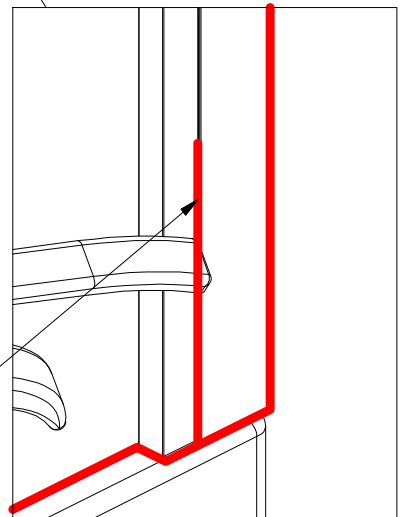


SILICONE

SILICONE

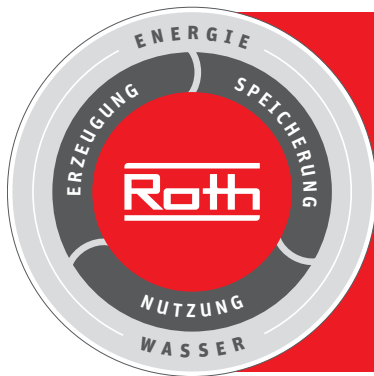
SILICONE

SILICONE
MIN 100mm



V278	800	Transparent	ND02-0894-02
	900		ND02-0895-02
	1000		ND02-0896-02

V279	800	Brillant/transparent	ND03-0885-02
	900		ND03-0886-02
	1000		ND03-0887-02



Roth Energy and Sanitary Systems

Generation

- > Solar systems
- > Heat pump systems
- > Solar heat pump systems

Storage

- Storage systems for
- > Domestic & heating water
 - > Combustibles and biofuels
 - > Rainwater and waste water

Application

- > Radiant heating and cooling systems
- > Pipe installation systems
- > Shower systems



■ Deutschland

ROTH WERKE GMBH
Am Seerain 2
35232 Dautphetal
Telefon: 06466/922-0
Telefax: 06466/922-100
E-Mail: service@roth-werke.de
www.roth-werke.de

■ Czech Republic

Roth Czech s.r.o.
Třebořov 160
569 33 Třebořov
Tel.: +420 461 324 301
Fax.: +420 461 324 297
E-Mail: objednavky@roth-czech.cz
www.roth-czech.cz