

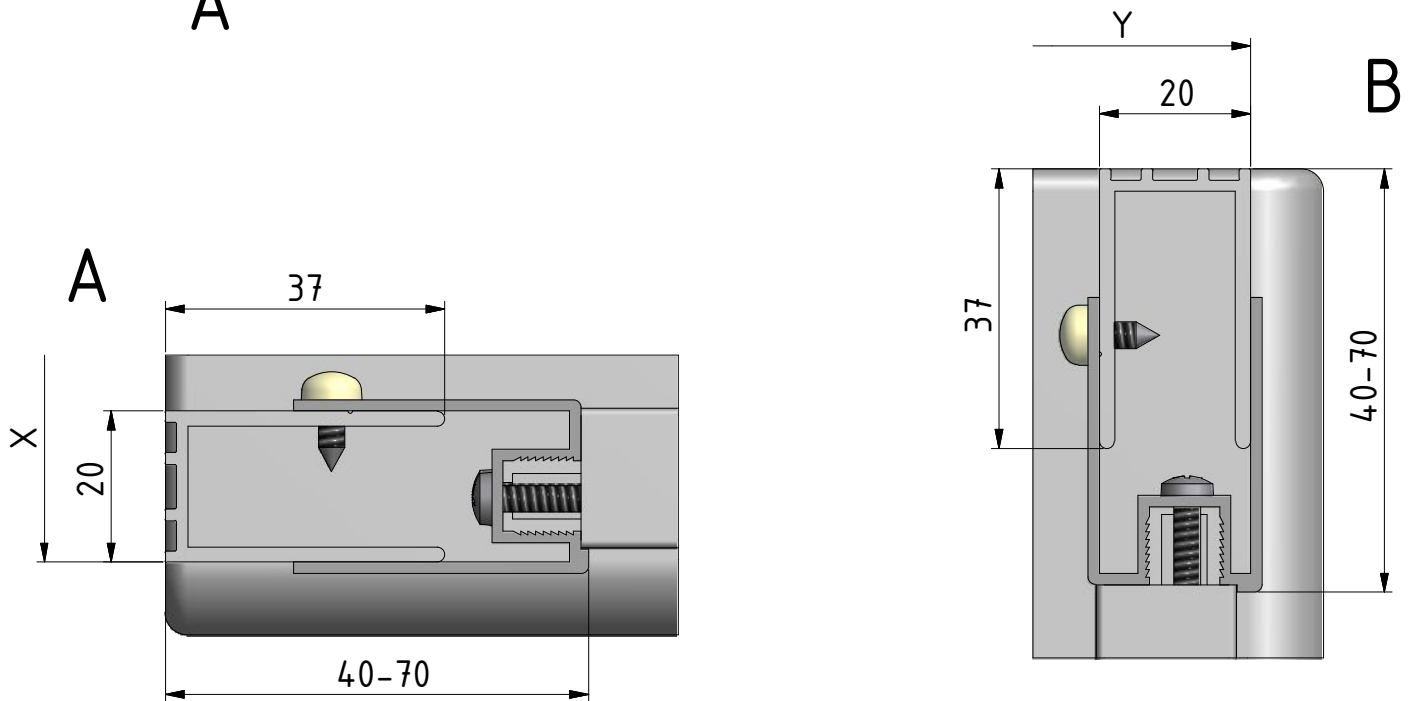
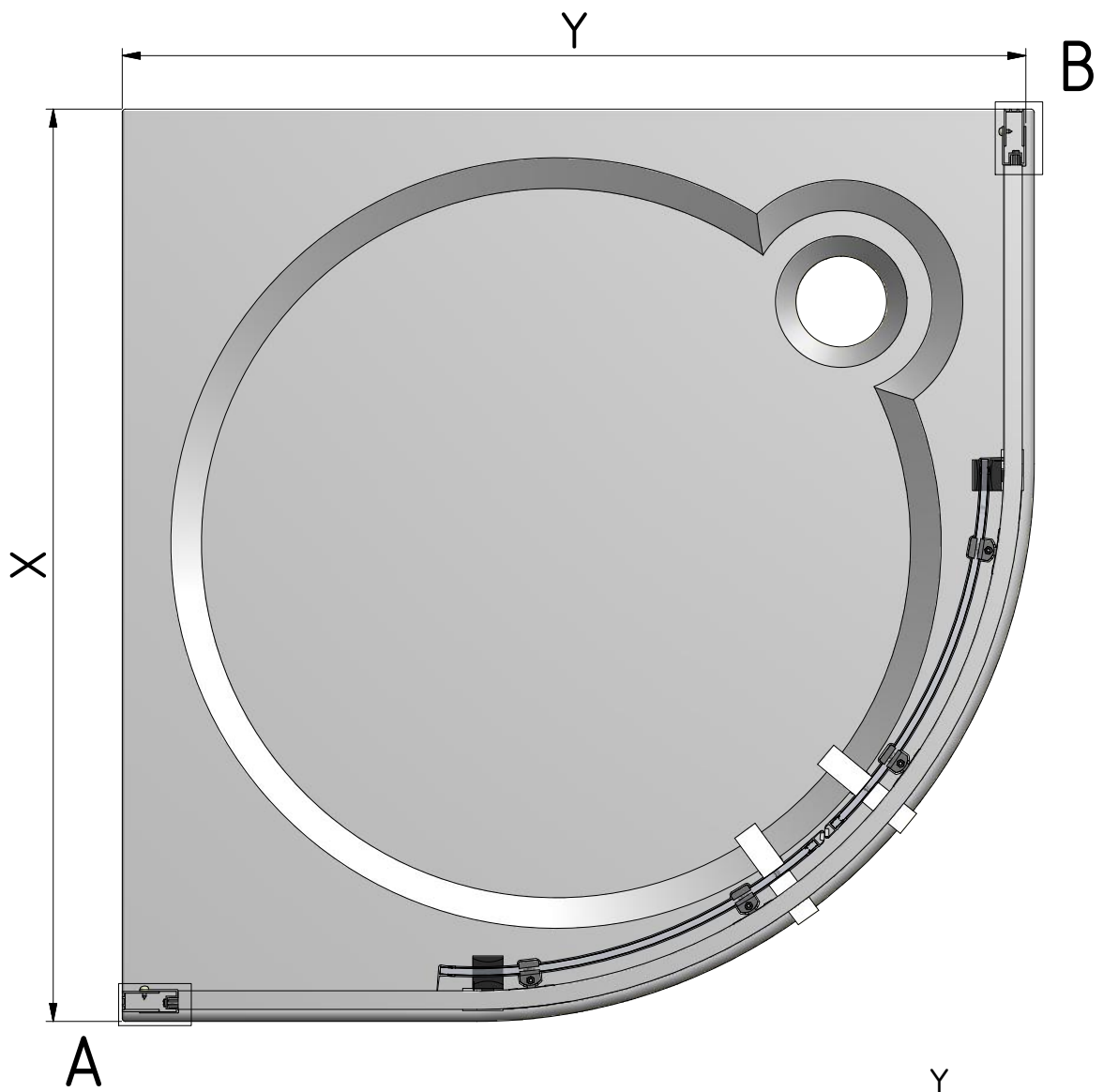
ECR2



Roltechnik s.r.o.; Czech Republic, 56933 Třebořov 160,
tel.: +420 461 324 301/302, fax: +420 461 324 297,
<http://www.roltechnik.com>; e-mail: objednavky@roltechnik.cz

2015/09/07

Rev.:02
MA3815

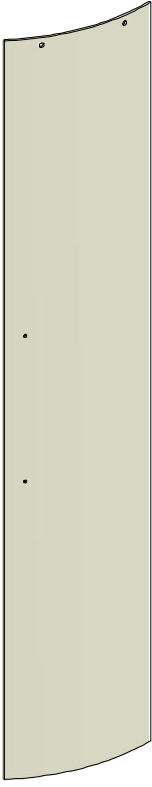


	X	Y
900	875-900	875-900
1000	975-1000	975-1000

1. 1+1



3a. 1x



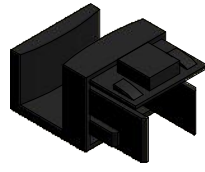
3b. 1x



2. 2x (P200)



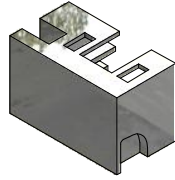
13. 2x (MA2758)



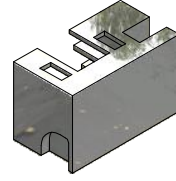
7. 1x (P197)



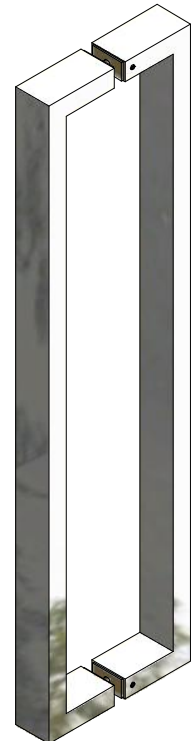
14. 1x (MA2756)



17. 1x (MA2757)



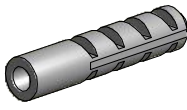
10. 2x (MA2908)



6. 6x (M1907)

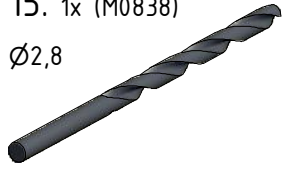


4. 6x (M0511)



15. 1x (M0838)

Ø2,8



5. 6x (M0795)

Ø3,5x38

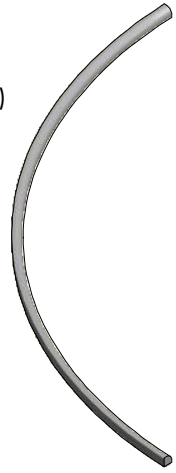


12. 6x (M0806)

Ø3,5x9,5



9. 2x (P198)

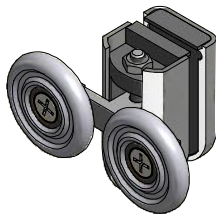


8. 4x (M0794)

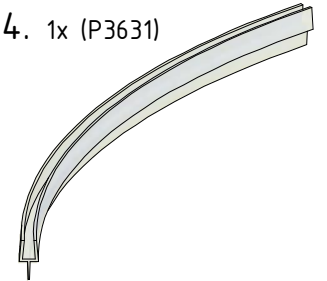
Ø3,5x32



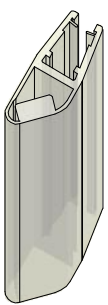
16. 4x (P3621)



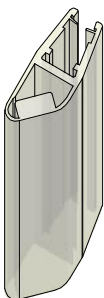
24. 1x (P3631)



19. 1x (P3582)

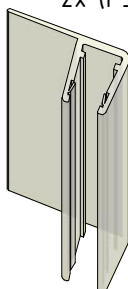


20. 1x (P3581)



23. 2x (P3583)

2x (P3584)



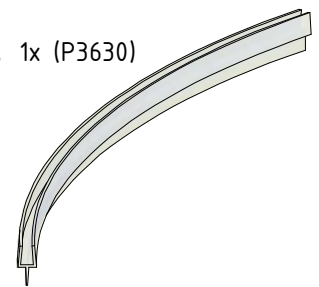
21. 1x (T30)

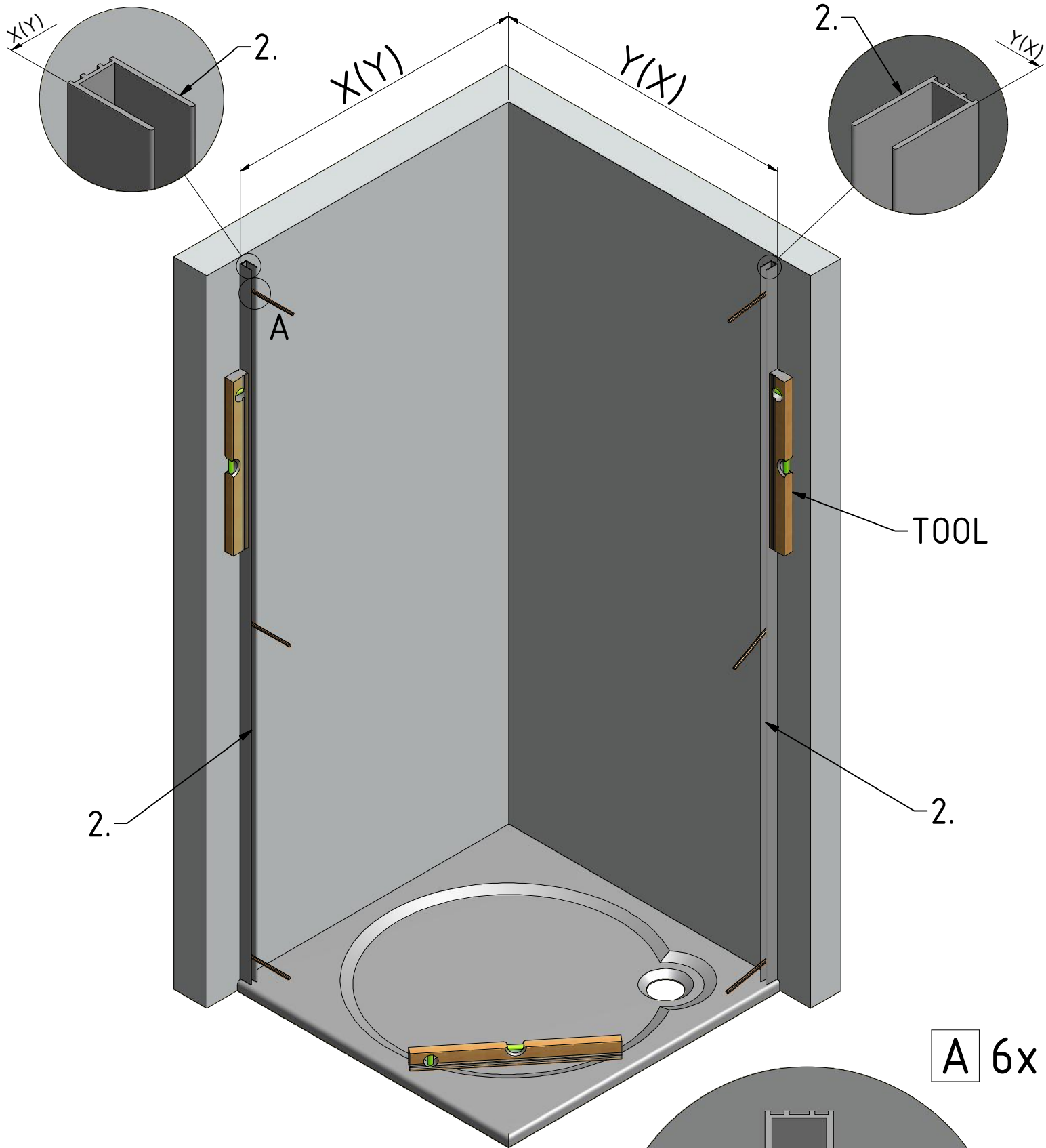


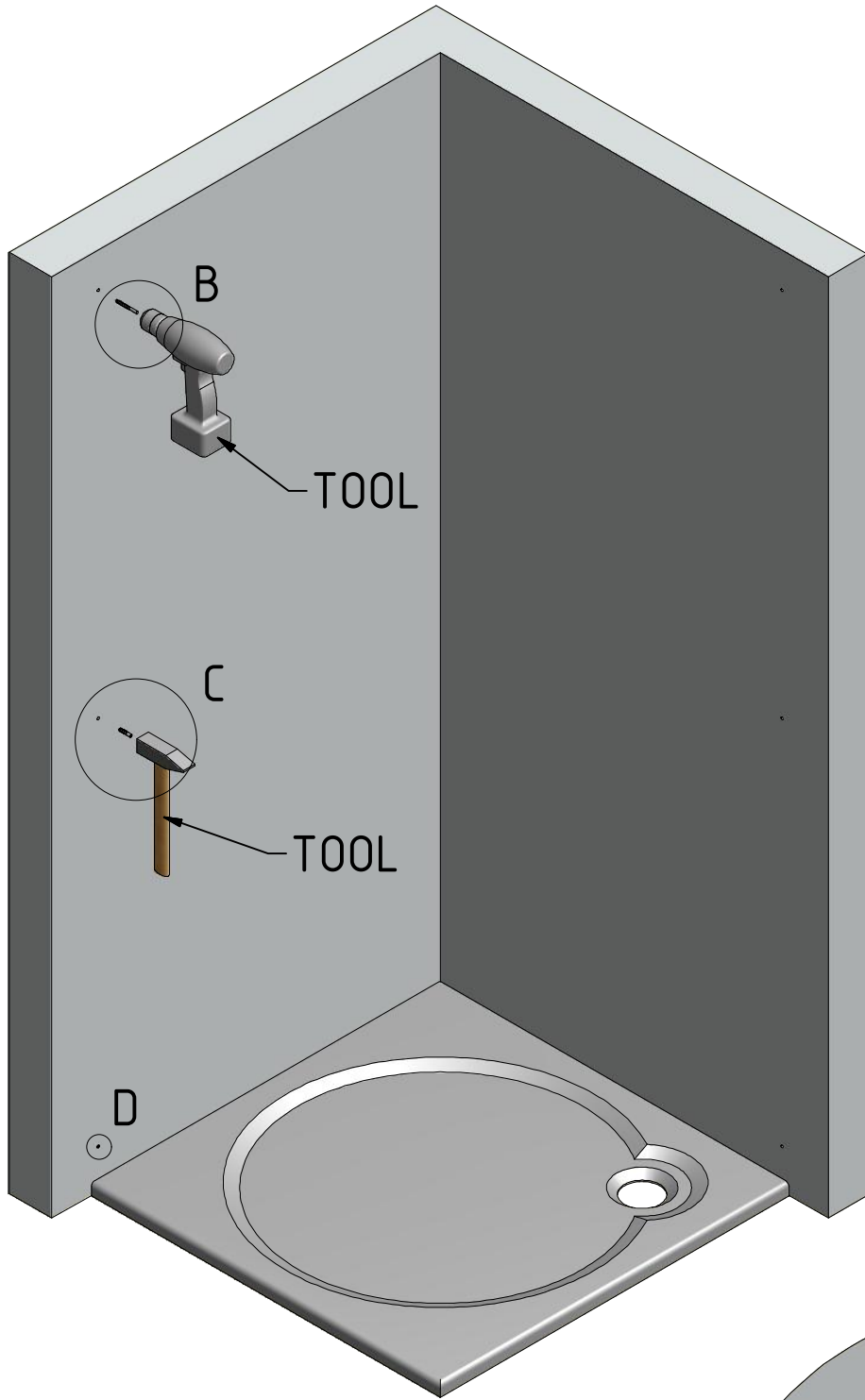
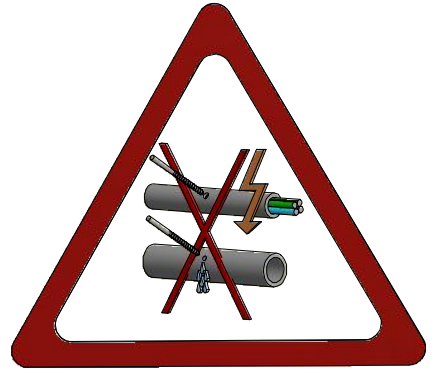
22. 2x (T29)



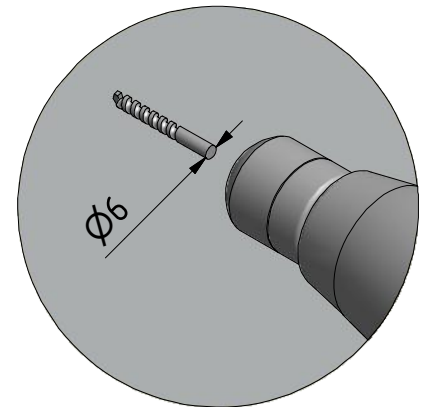
25. 1x (P3630)



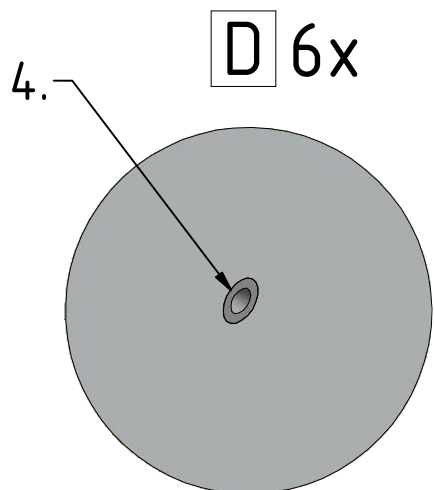
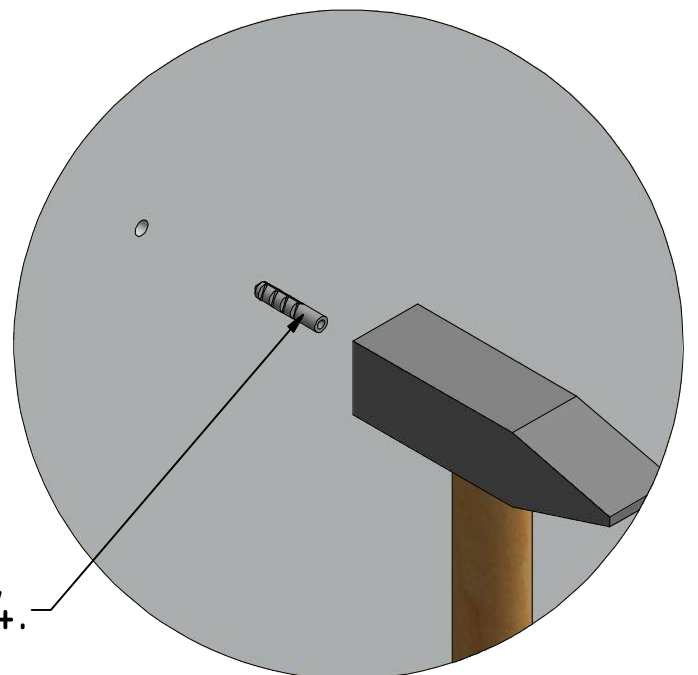


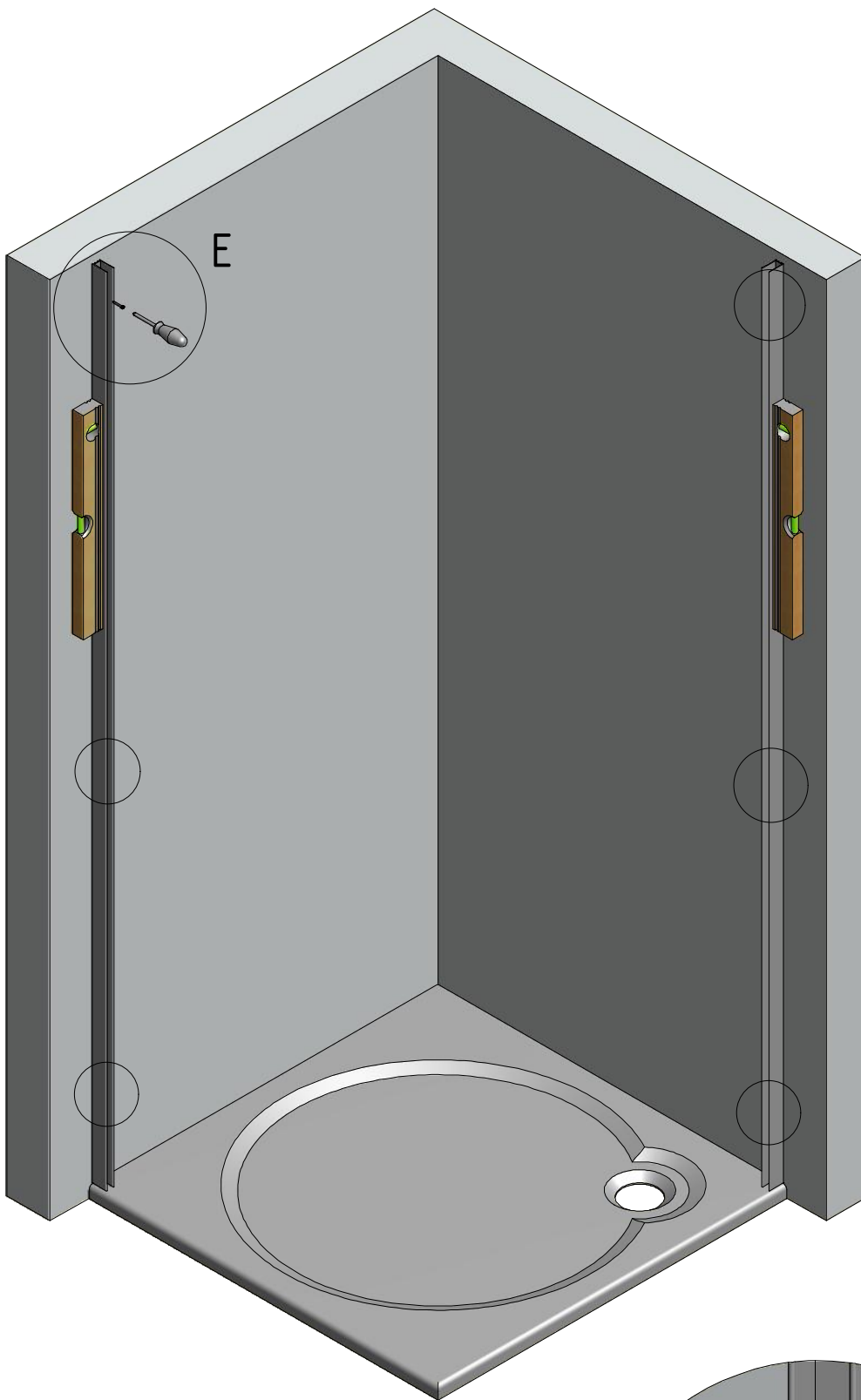


B 6x

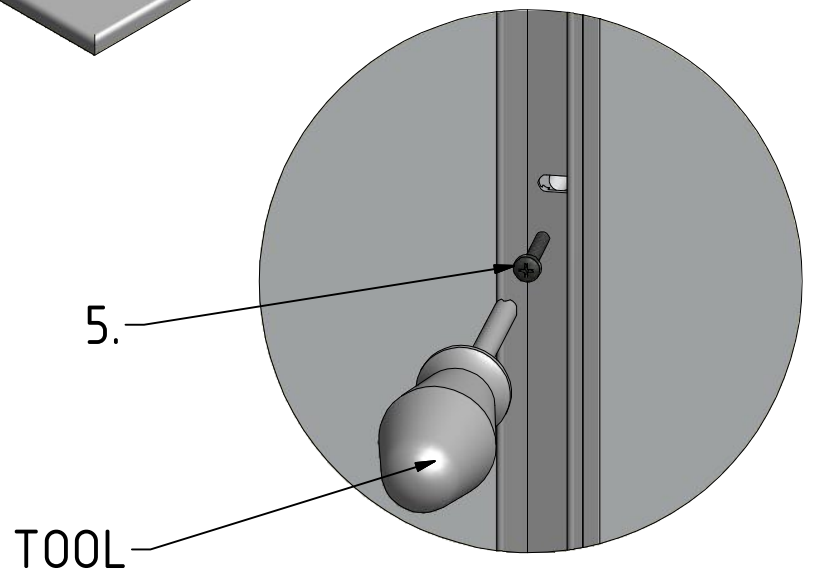


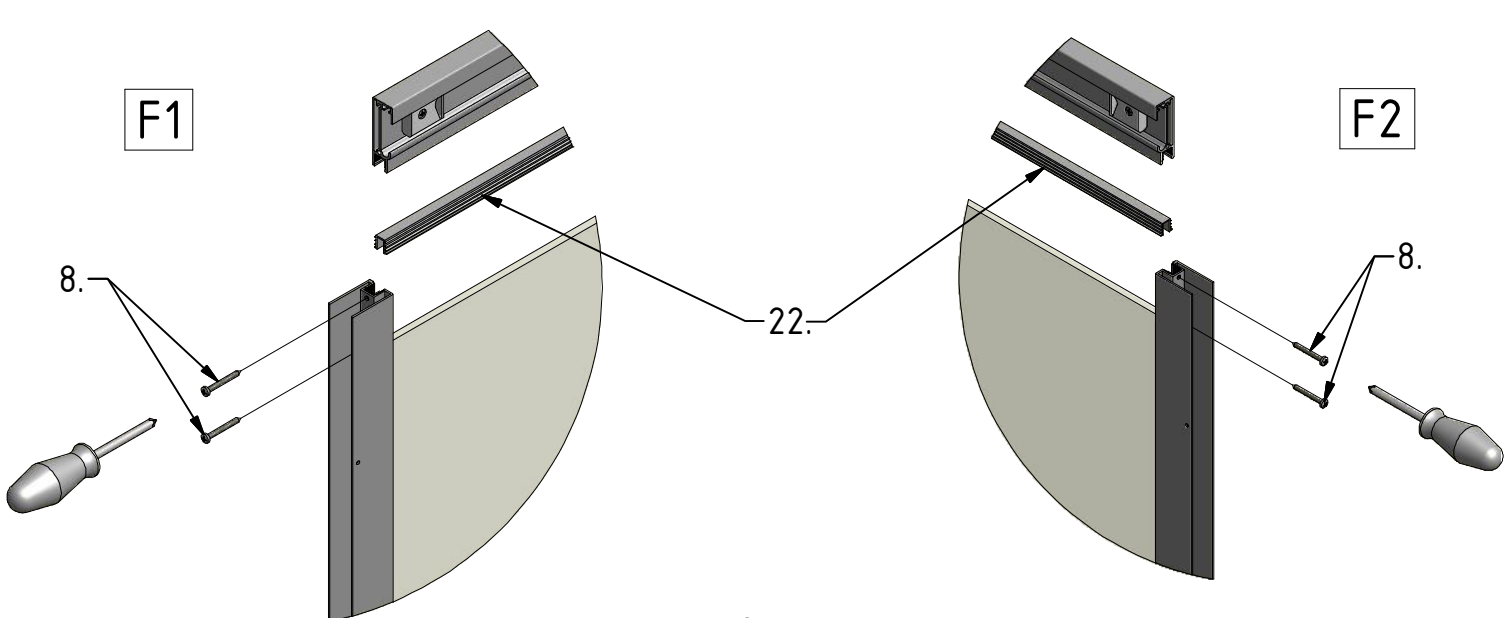
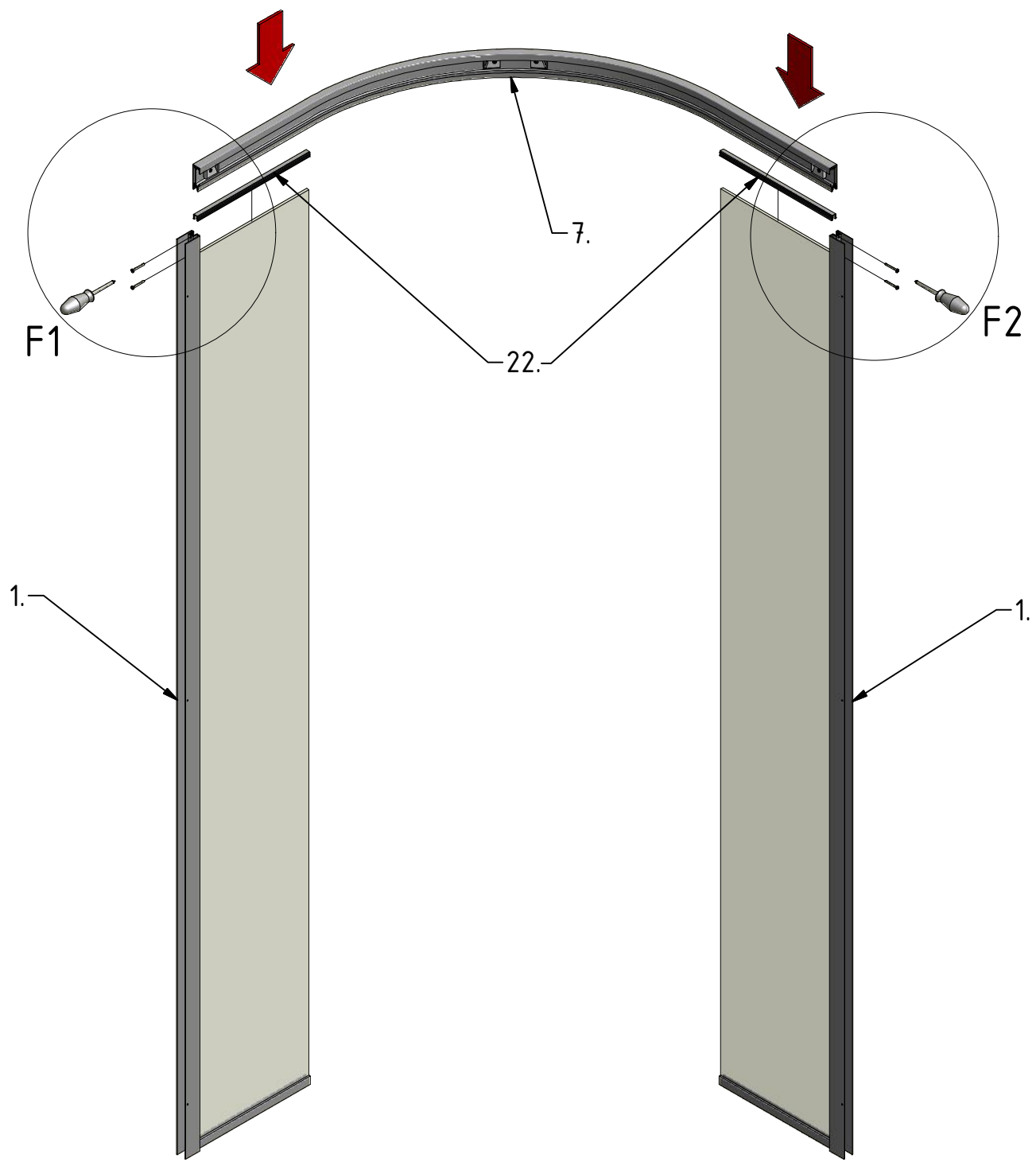
C 6x

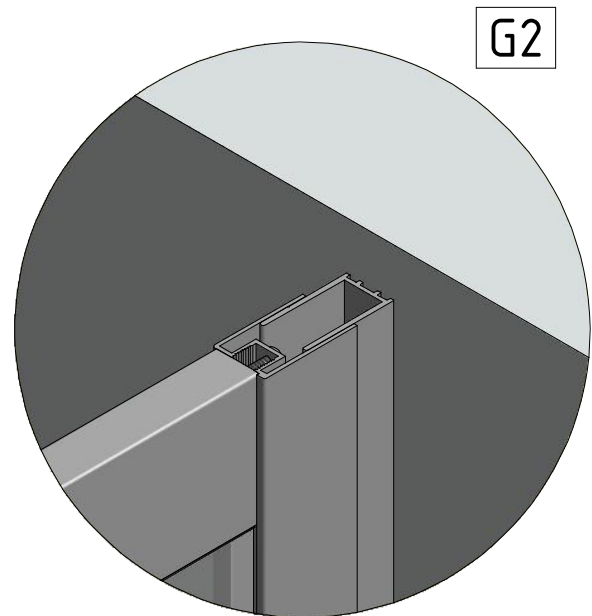
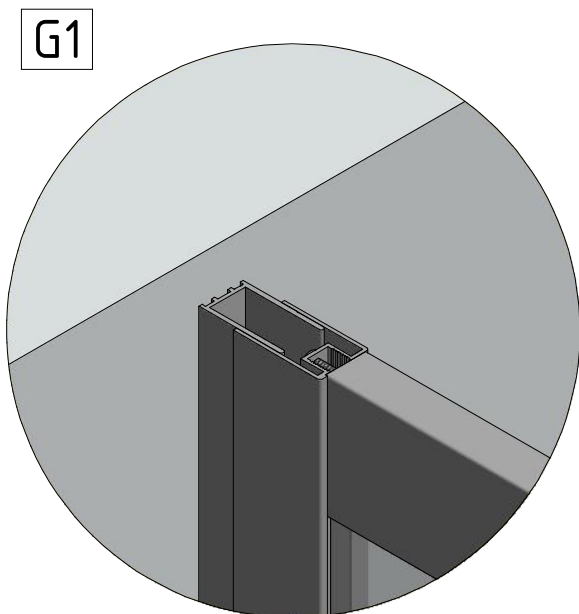
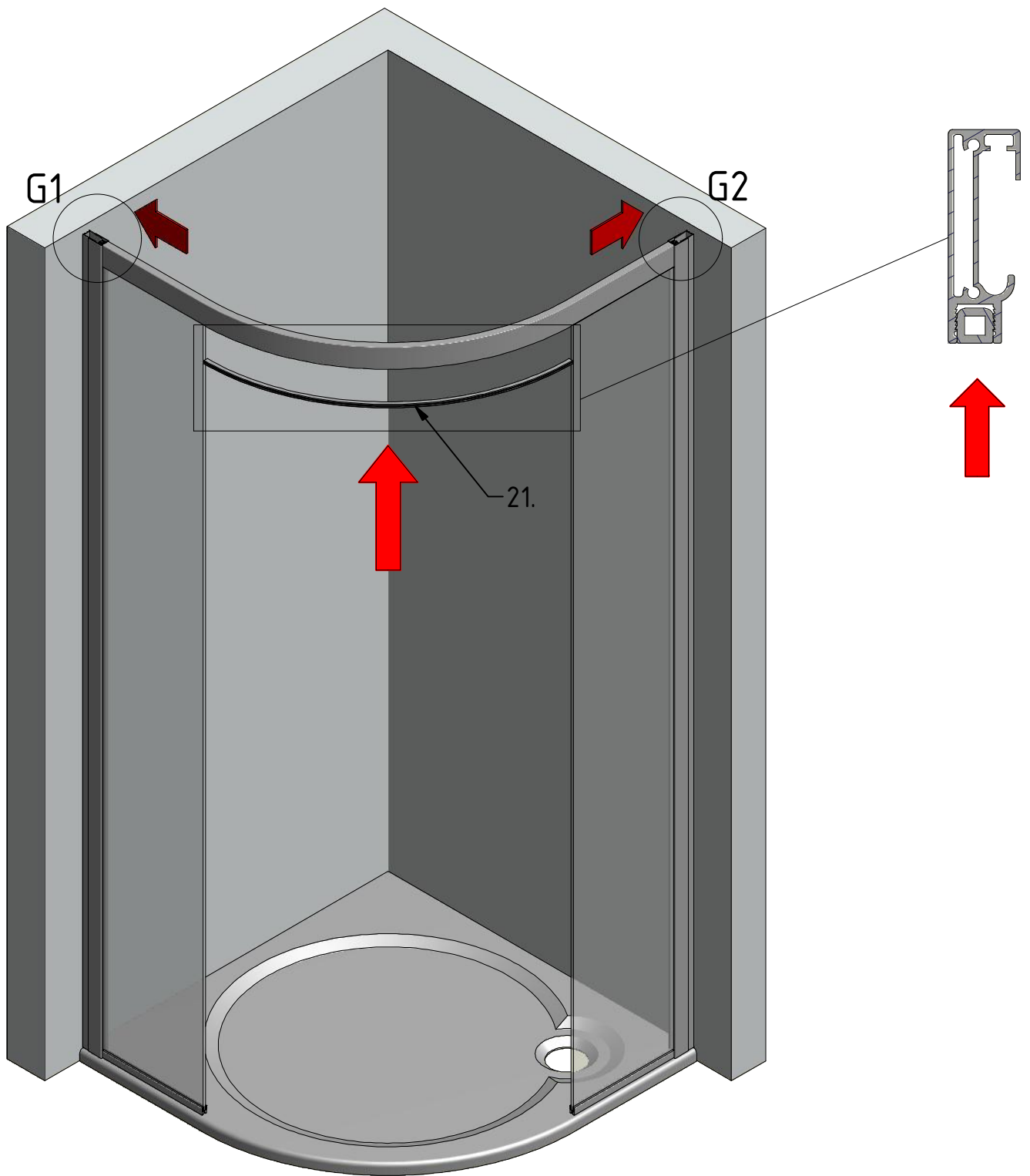


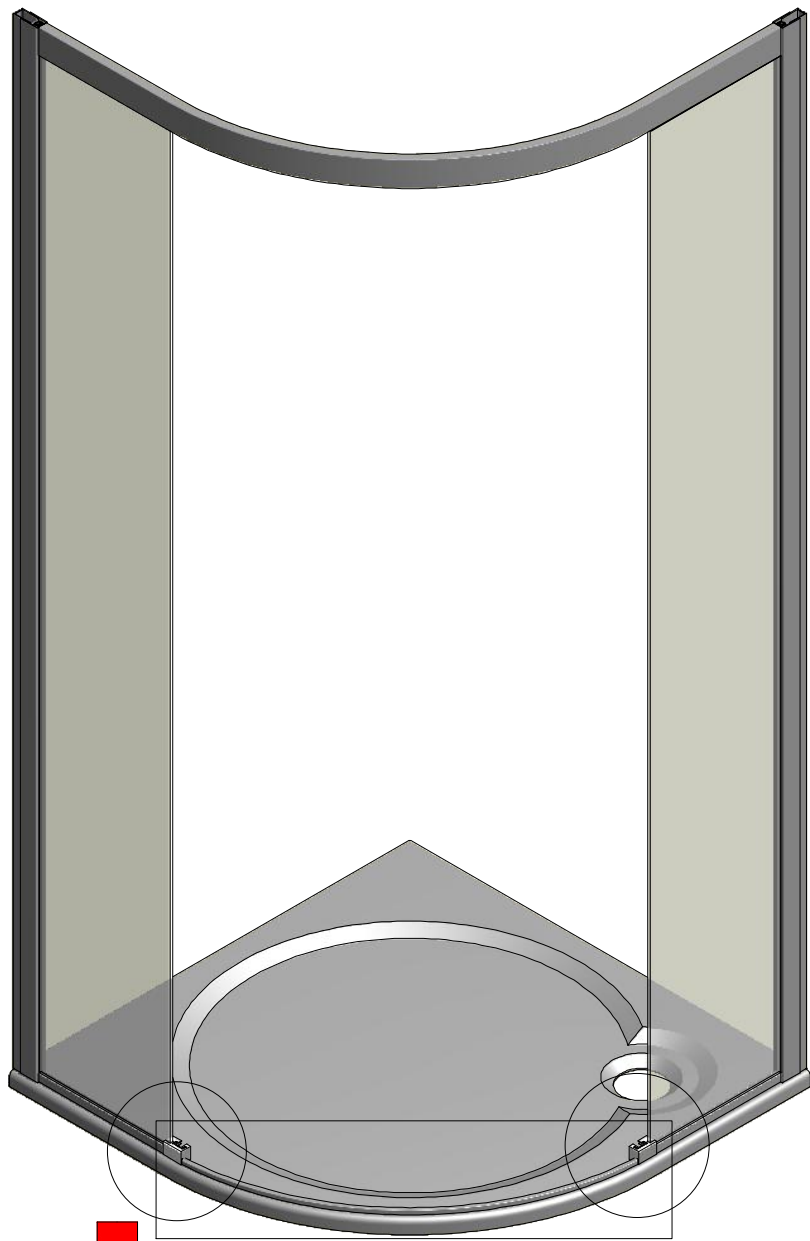


E 6x



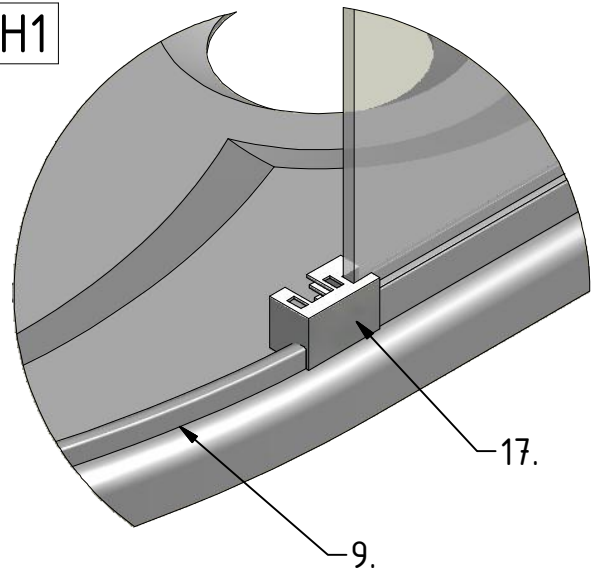




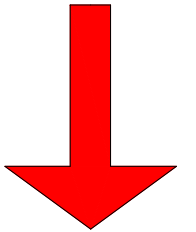
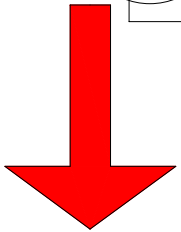
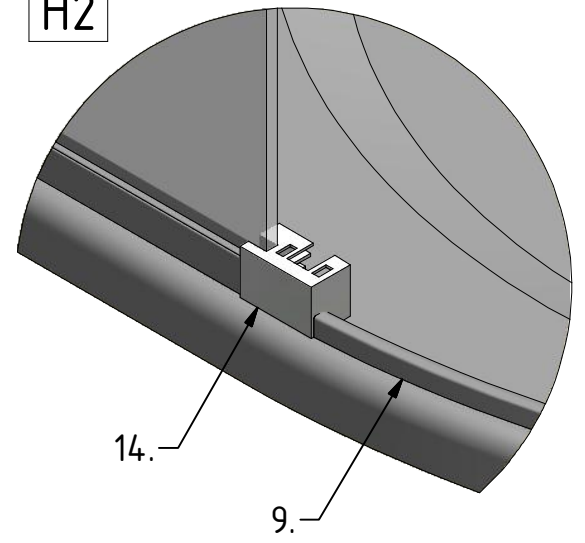


H

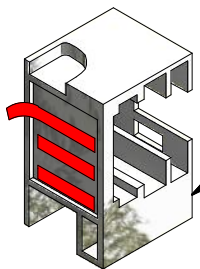
H1



H2

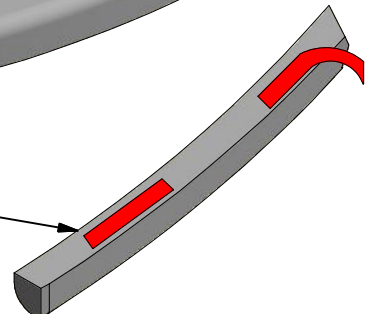


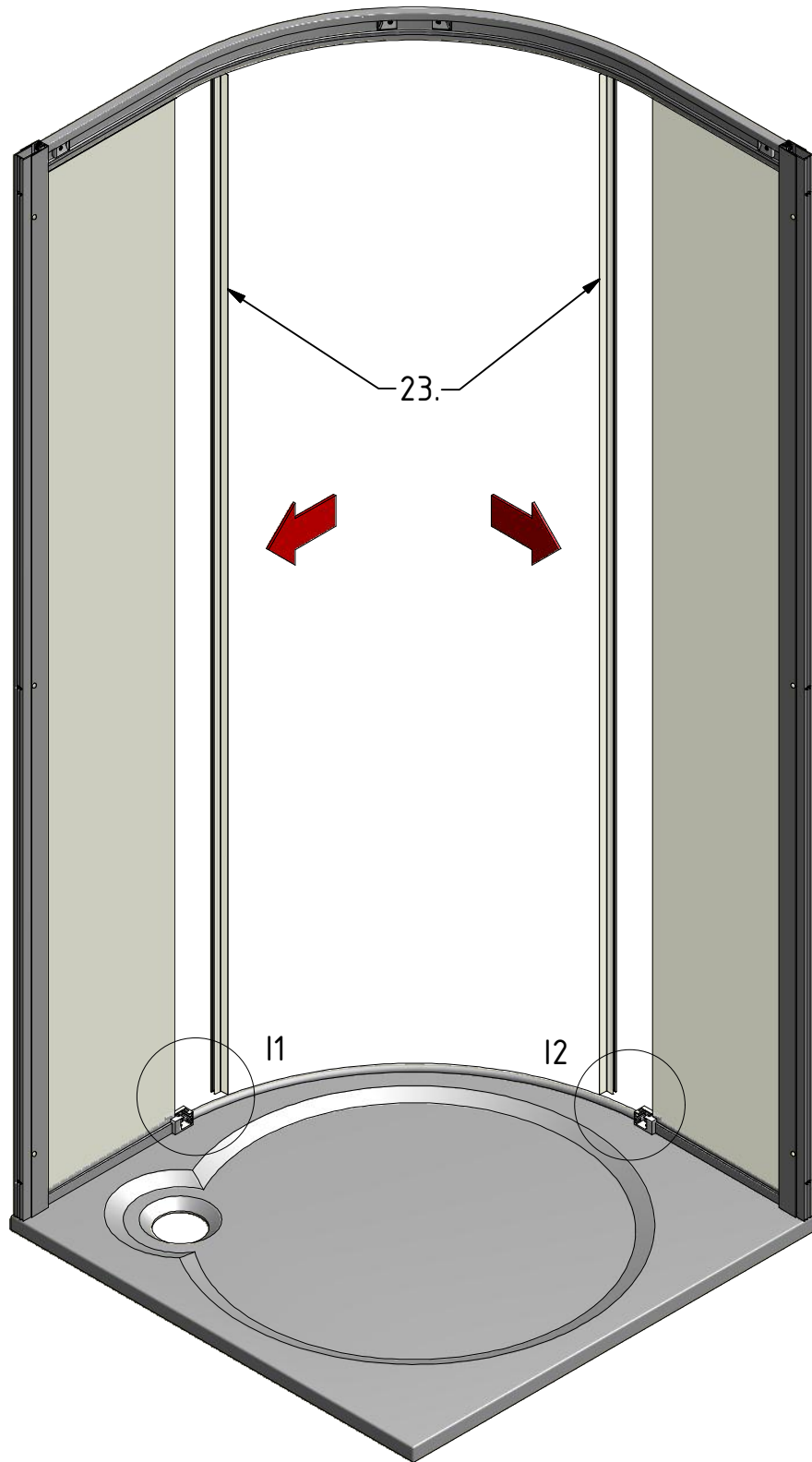
H



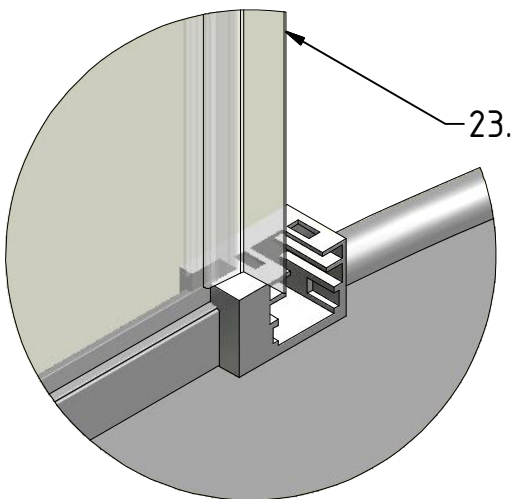
14. 17.

1.

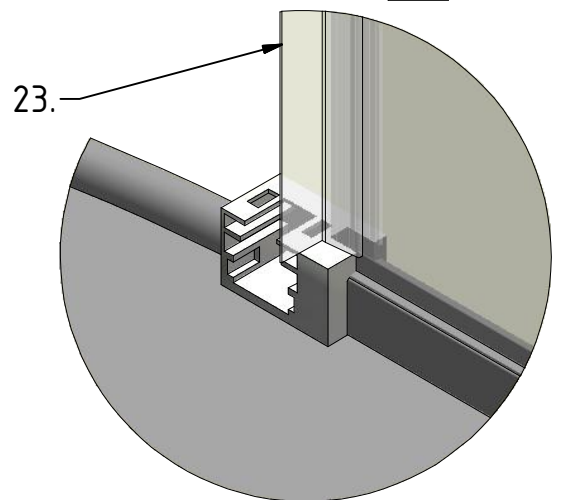


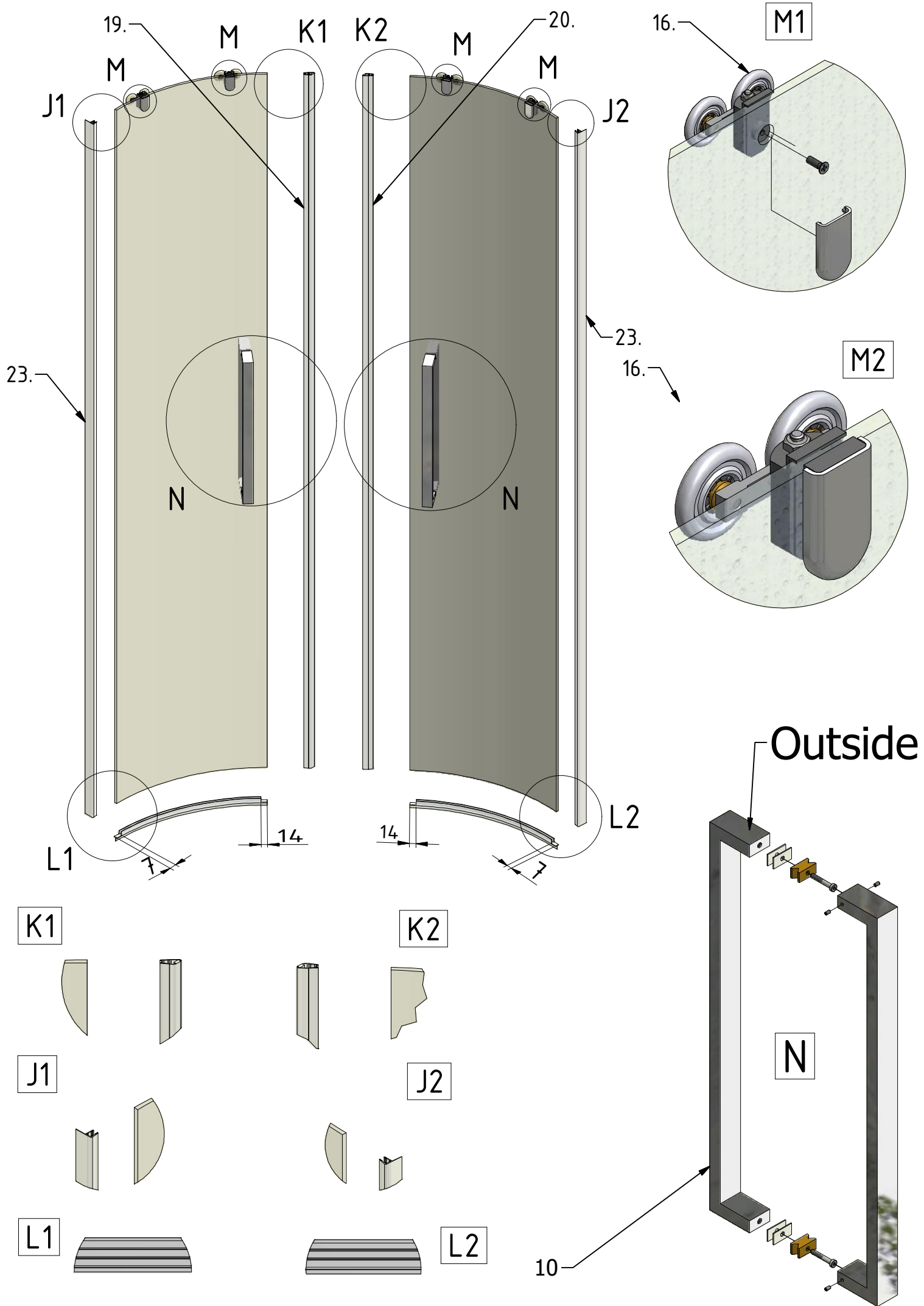


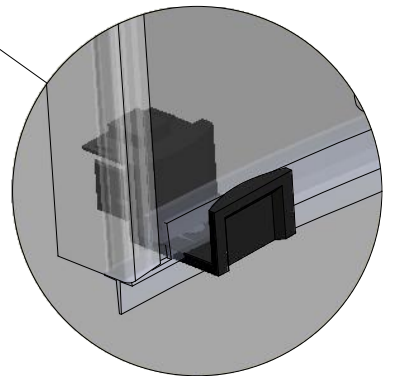
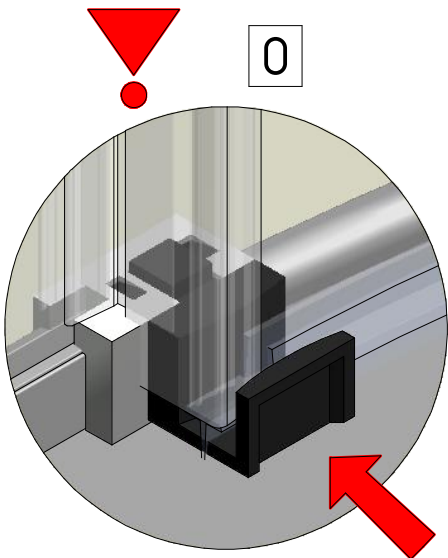
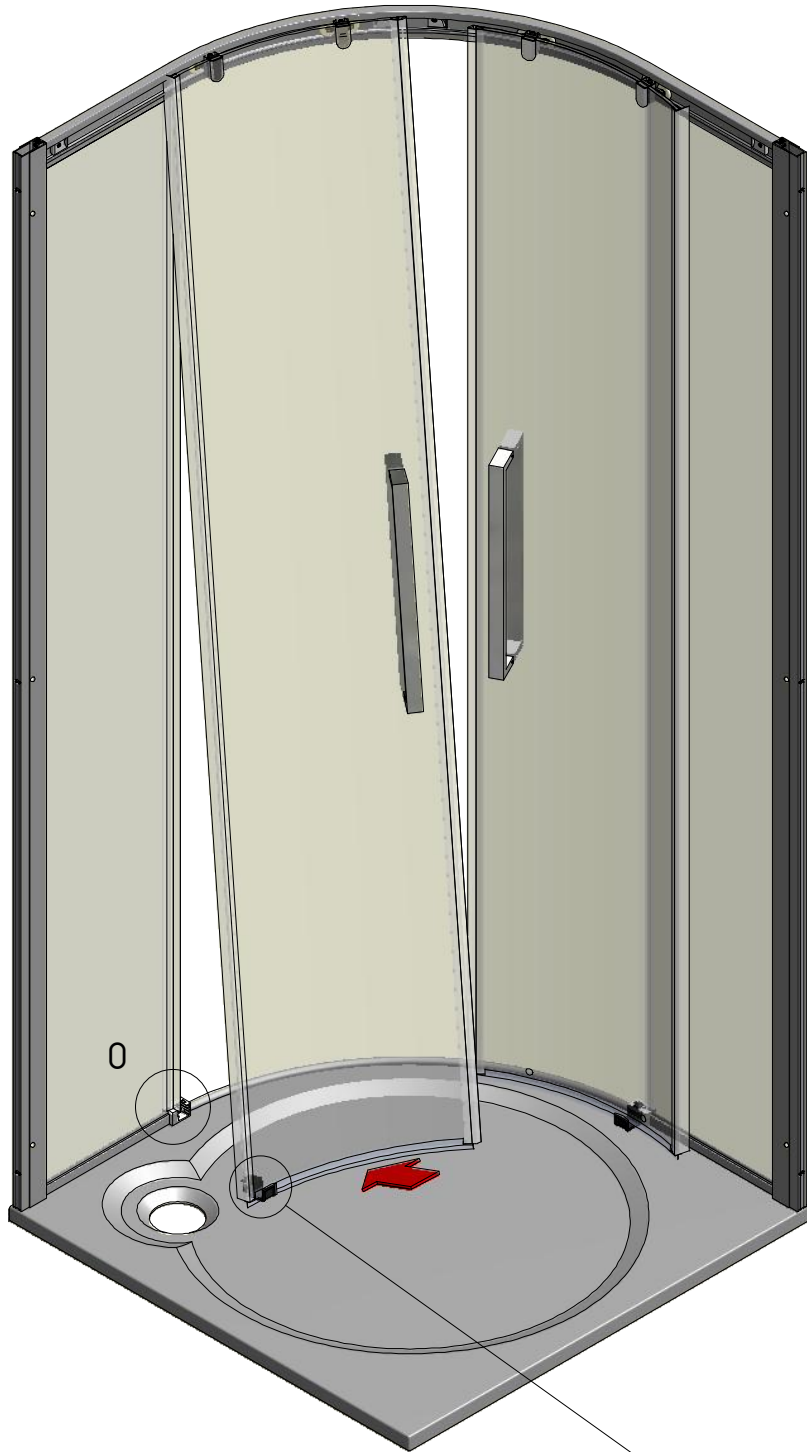
11

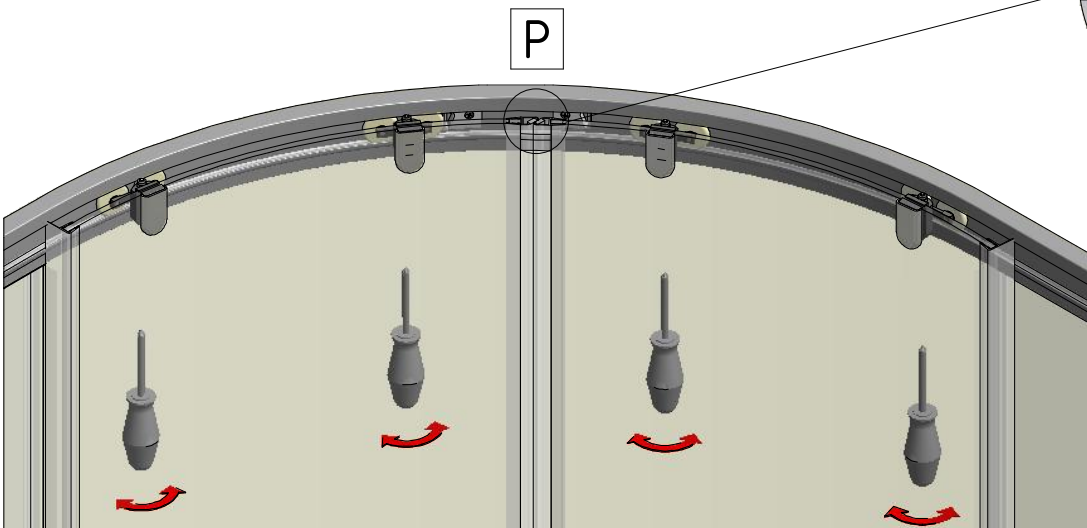
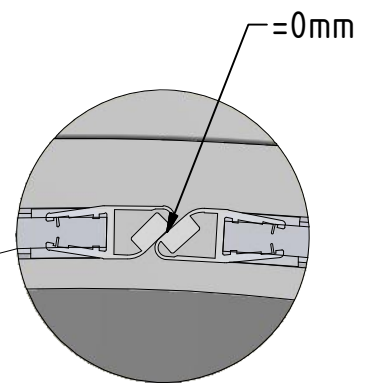
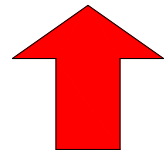
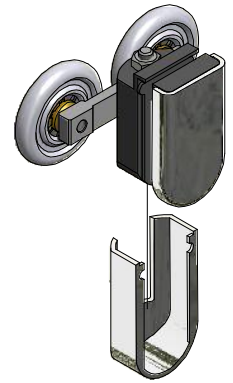
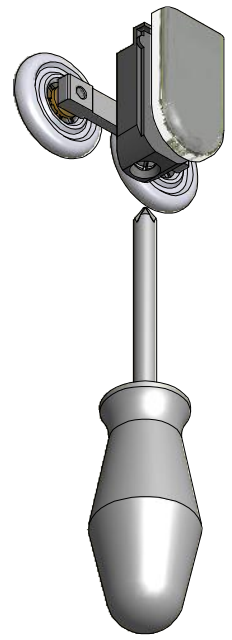


12

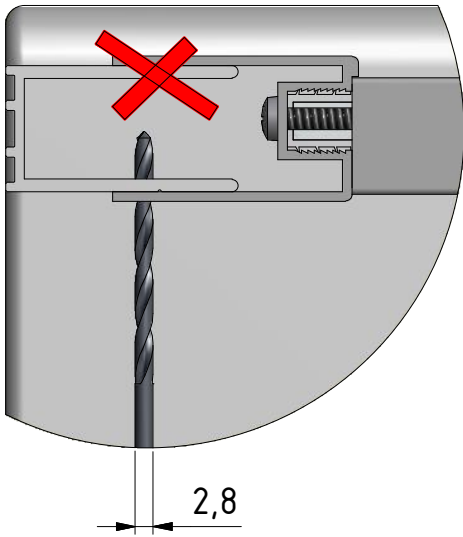




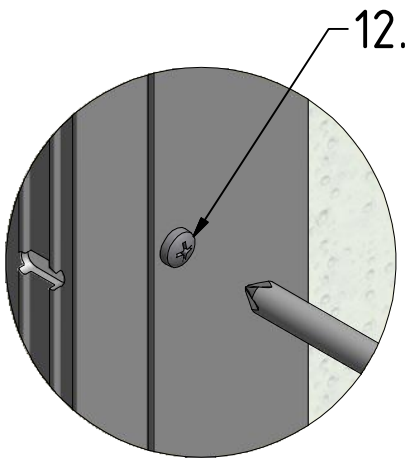




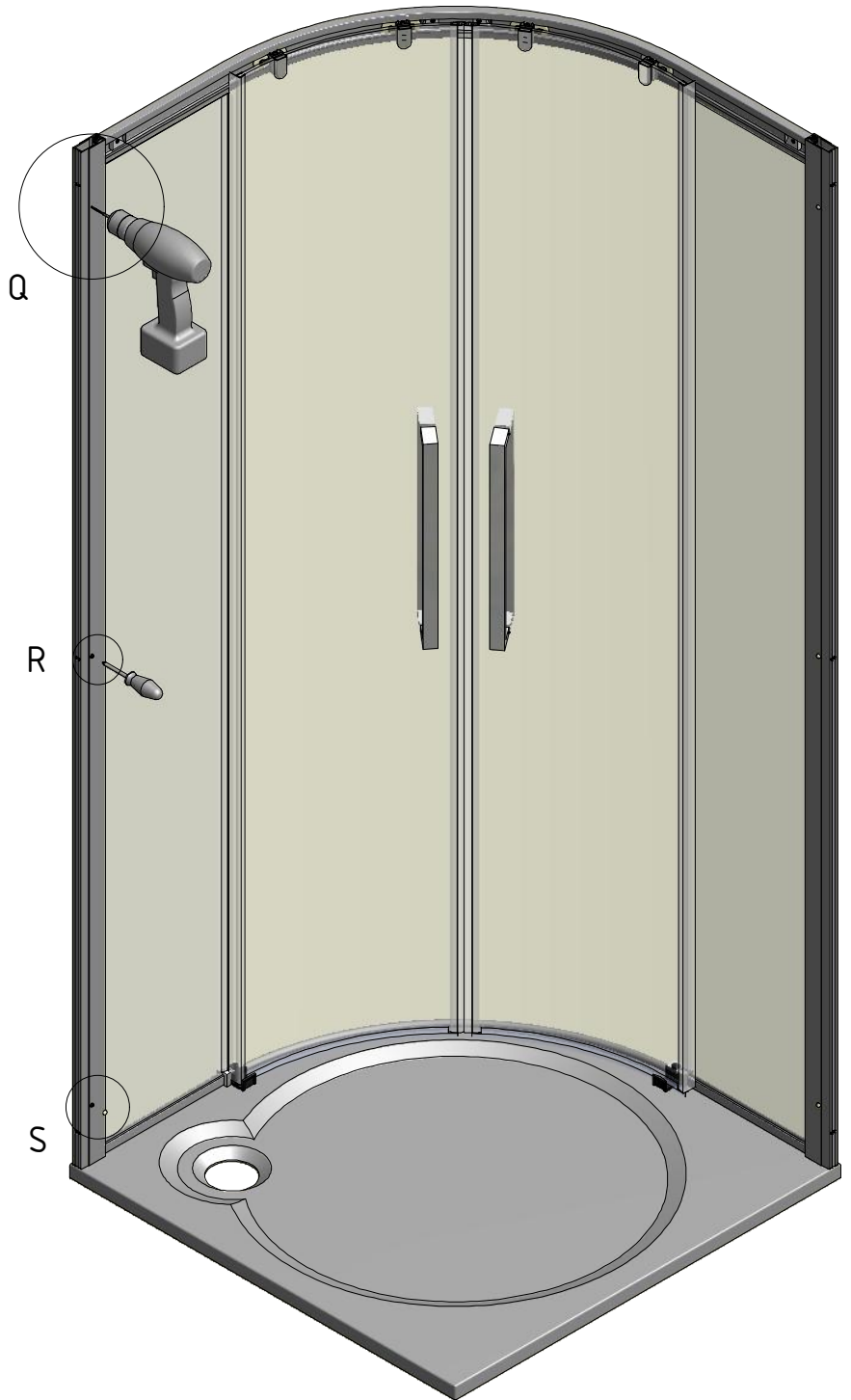
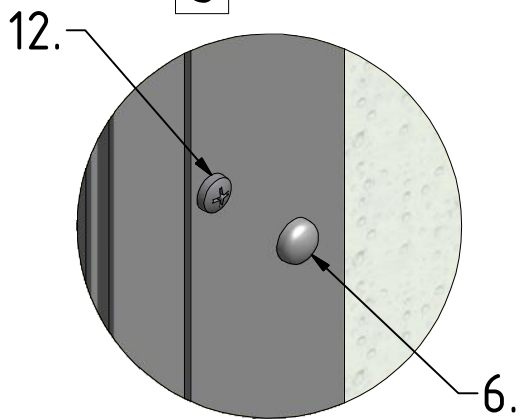
Q

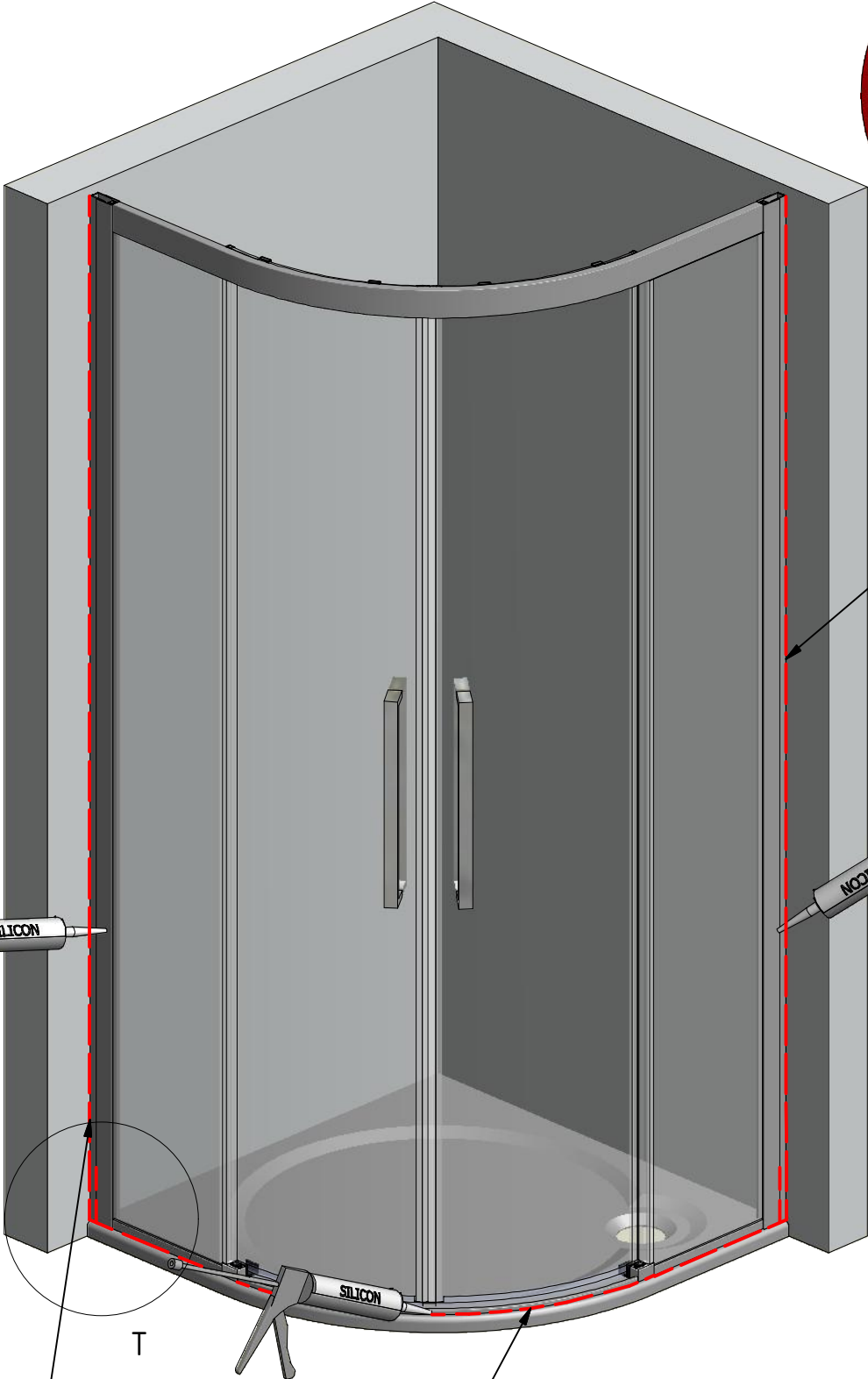


R



S





SILICONE

NOOTIS

SILICONE

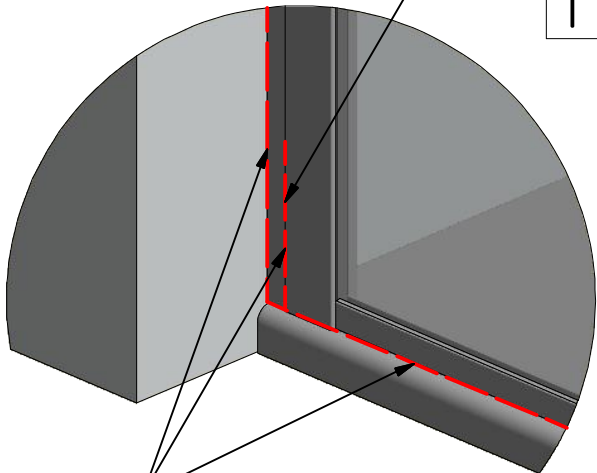
SILICONE

SILICONE

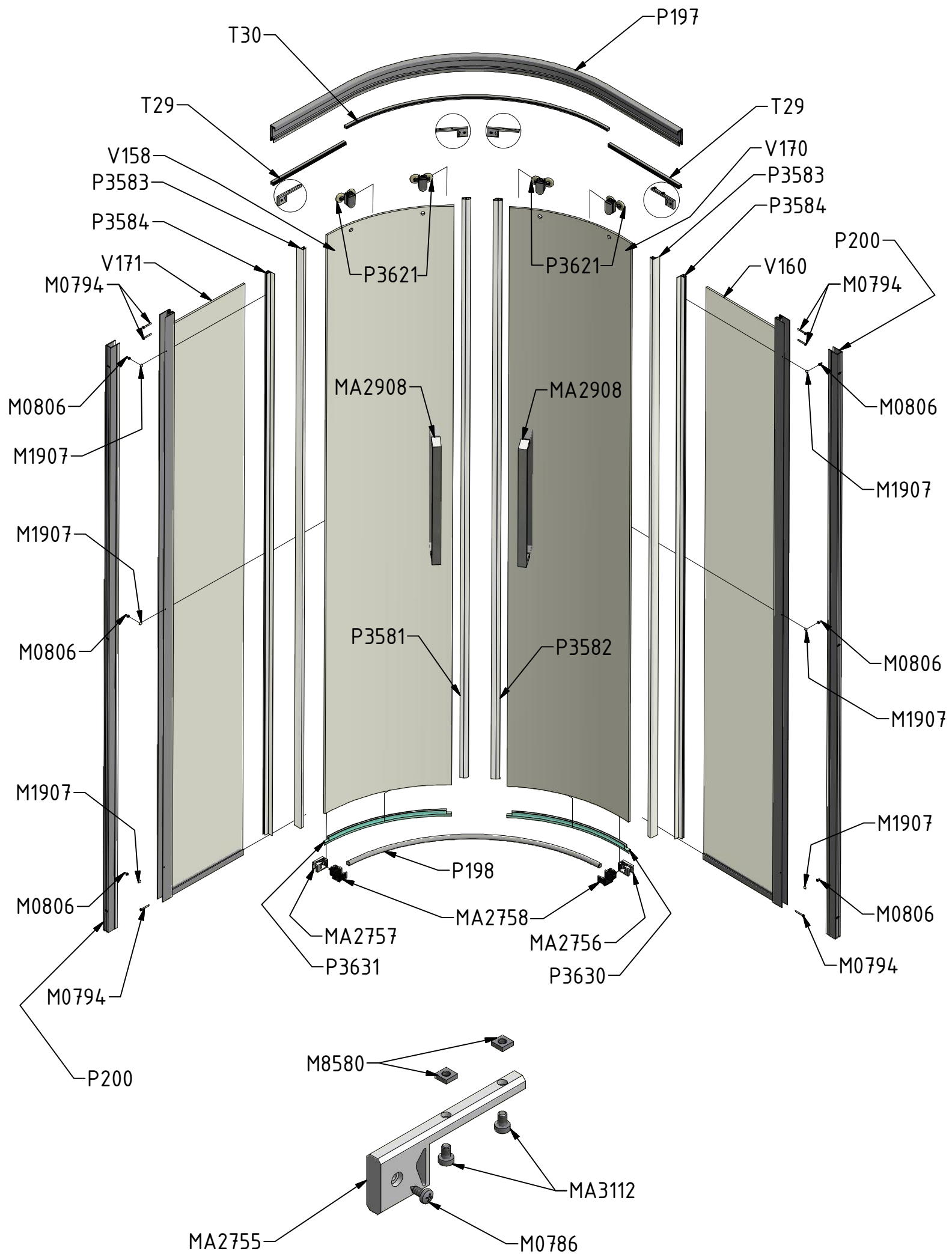
SILICONE

MIN 100mm

T



SILICONE



P197	900	black	P3625
	1000	black	P3627
	900	brillant	P3624
	1000	brillant	P3626
P198	900;1000	black	P3629
	900;1000	brillant	P3628
P200		black	P3485
		brillant	P3484
T29			ND01-3225
T30			ND01-3226
V158	900;1000	clear glass	ND02-0702
V170	900;1000	clear glass	ND02-0703
V160	900	clear glass/black	ND03-0598-05-02
	1000	clear glass/black	ND03-0599-05-02
	900	clear glass/brillant	ND03-0602-00-02
	1000	clear glass/brillant	ND03-0603-00-02
V171	900	clear glass/black	ND03-0600-05-02
	1000	clear glass/black	ND03-0601-05-02
	900	clear glass/brillant	ND03-0604-00-02
	1000	clear glass/brillant	ND03-0605-00-02