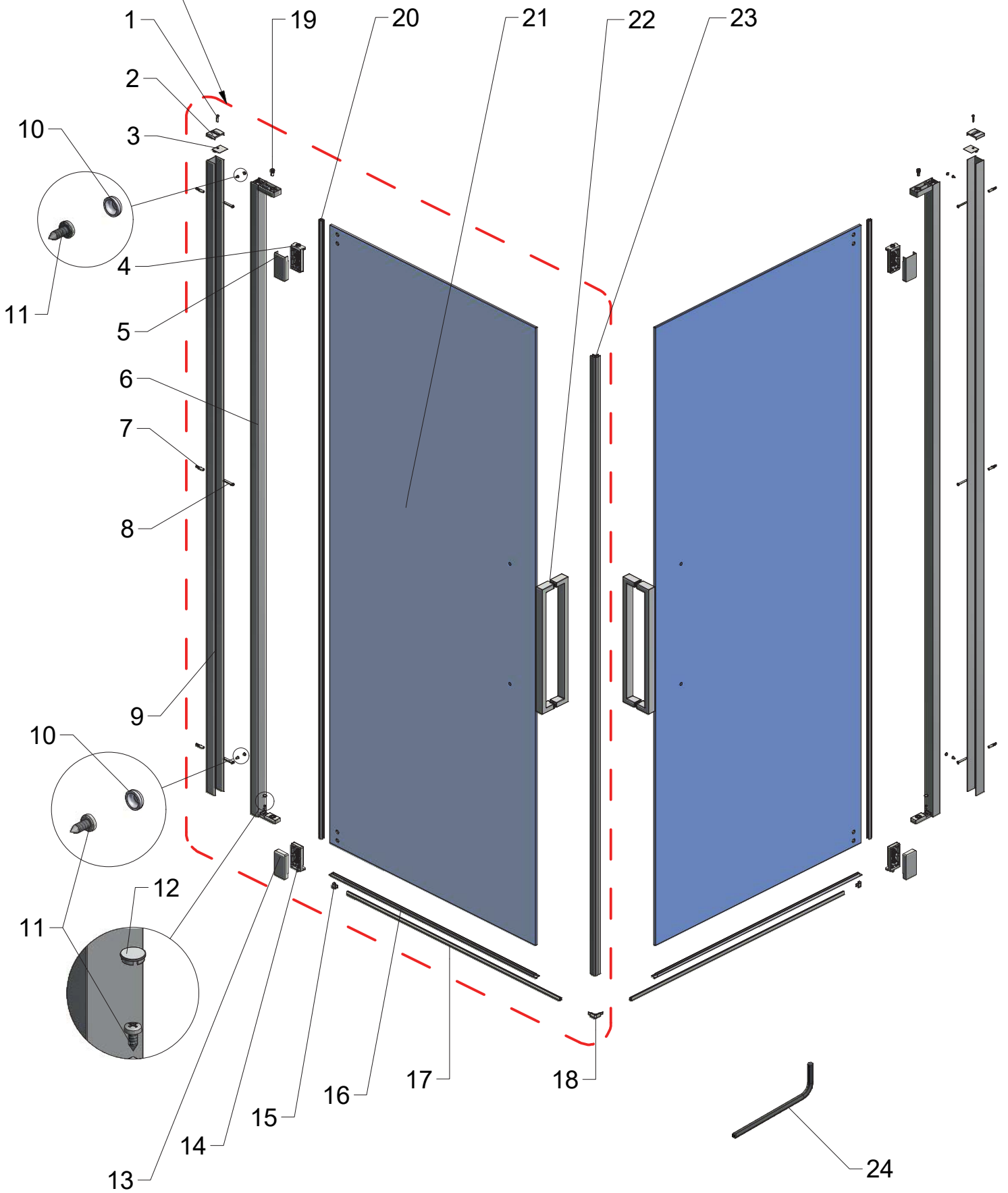



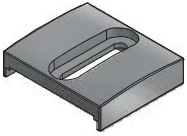
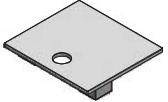
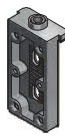




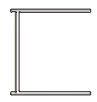




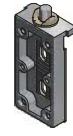
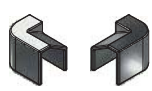


**Montageanleitung
Assembling Instruction
Montážní návod**




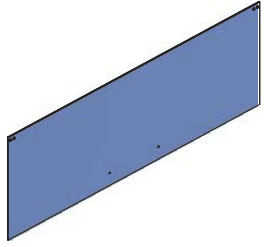

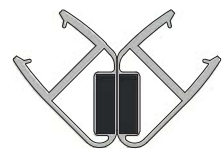




Shower for life

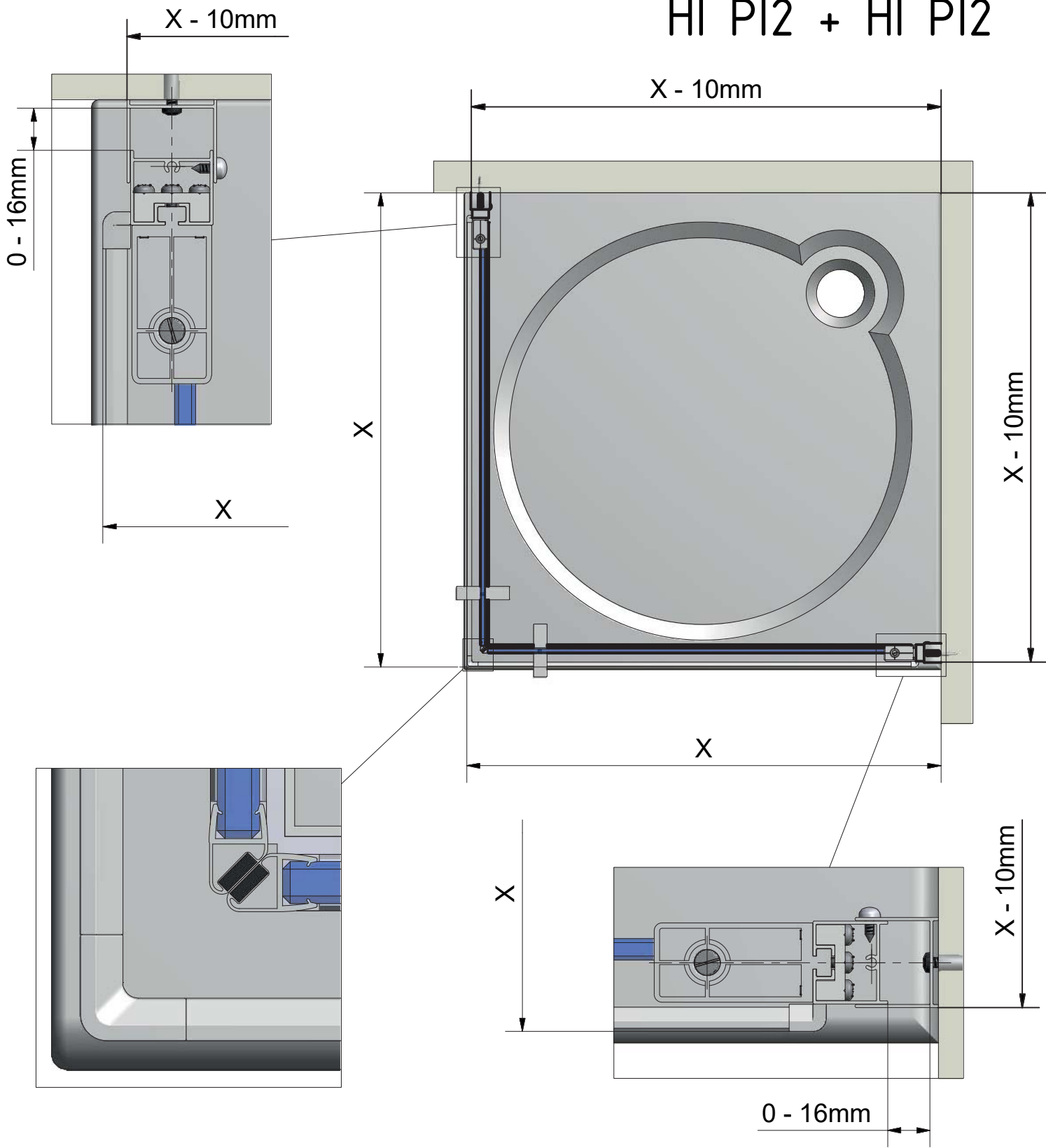
HI PI2



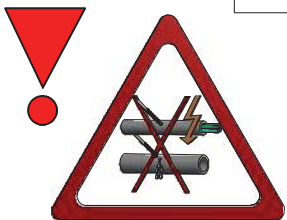
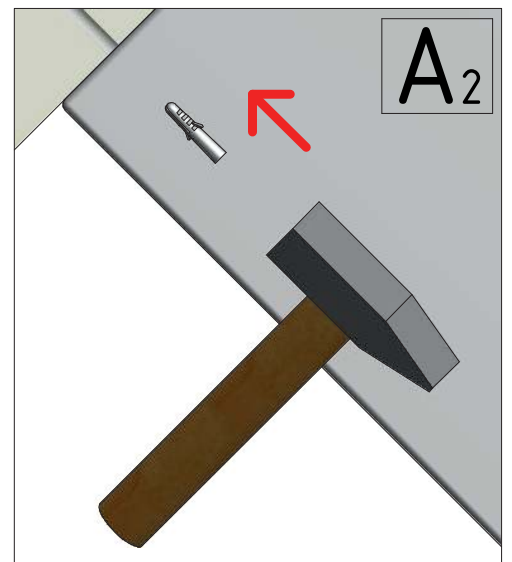
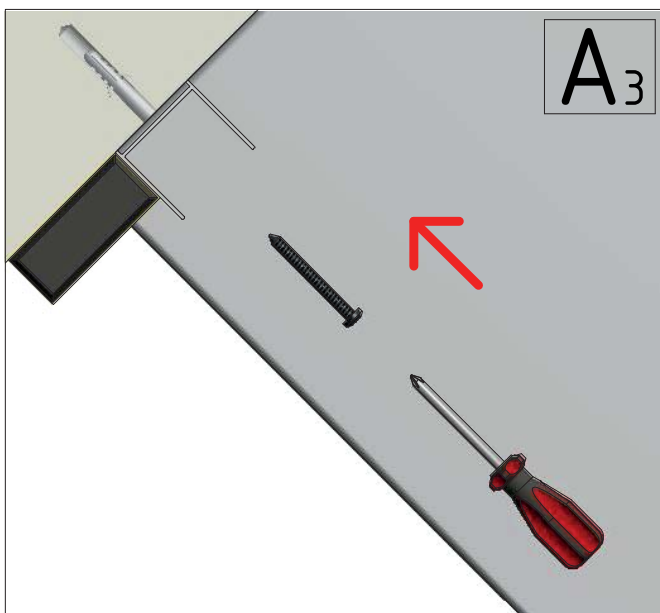
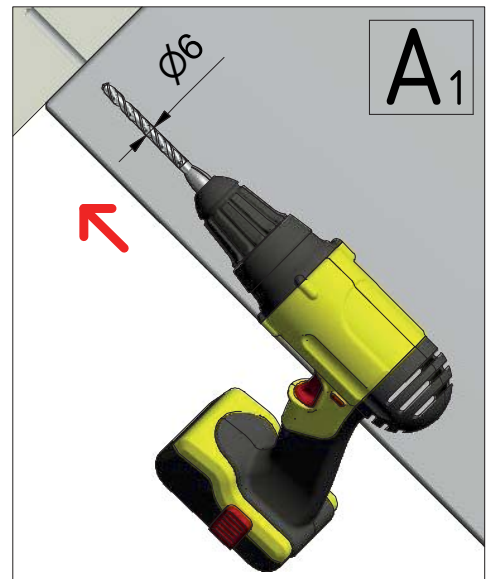
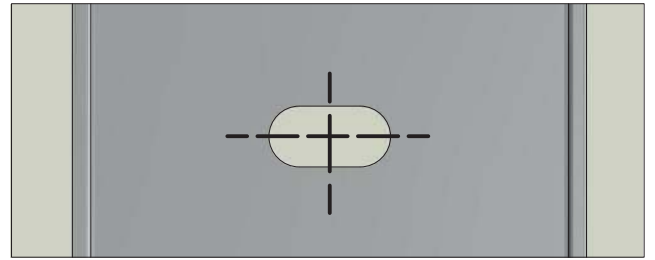
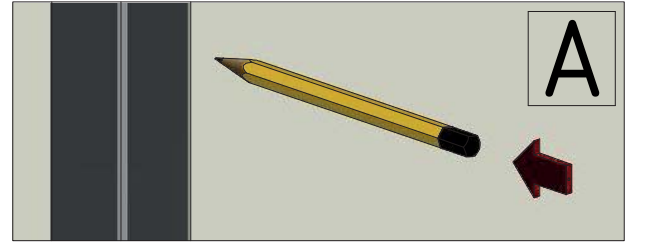
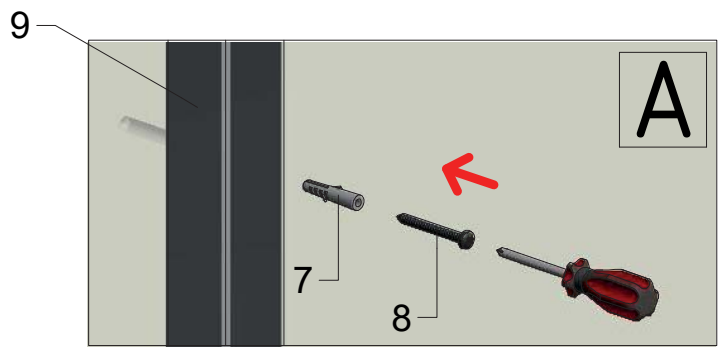
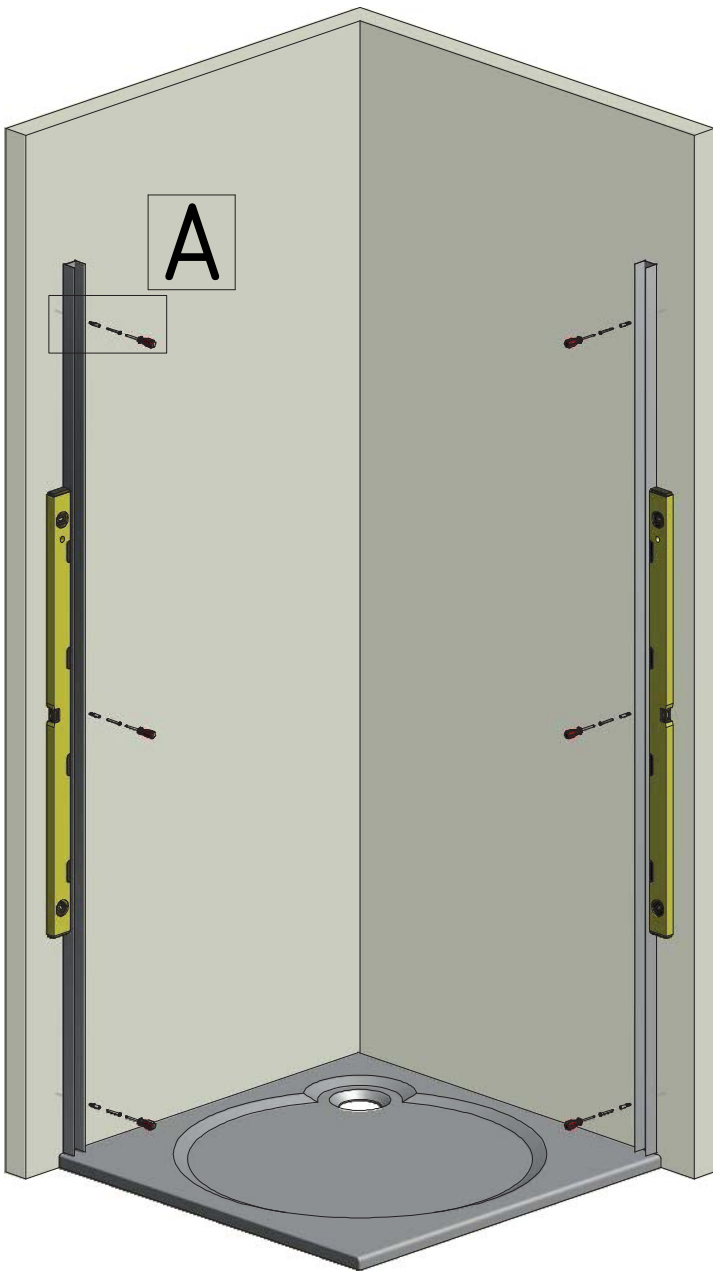
HI PI2			
POS.	PREVIEW	DESCR.	PCS
1		ST 3,5 x 20	1
2		Profile cap	1
3		Profile cap	1
4		Hinge	1
5		Hinge cover	1
6		Frame profile	1
7		DOWEL 6	3
8		ST 3,9 x 35	3
9		Wall profile	1
10		Plastic part	2
11		ST 3,5 x 9,5	3
12		Plastic part	1
13		Hinge cover	1
14		Hinge	1
15		End of the threshold profile	1+1 SET
16		Seal	1
17		Threshold profil	1

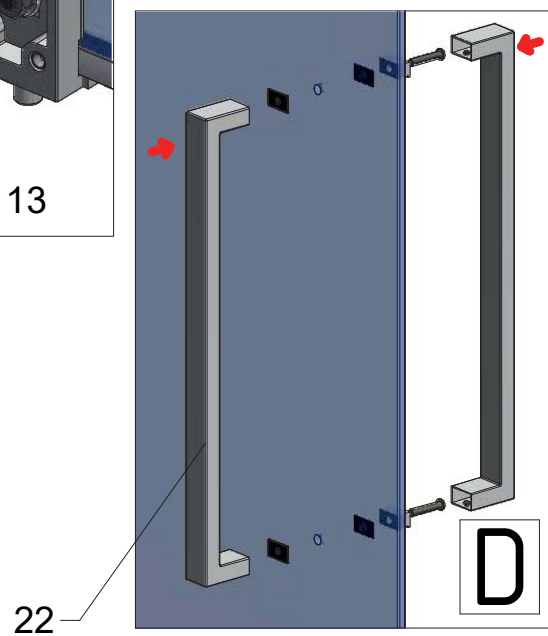
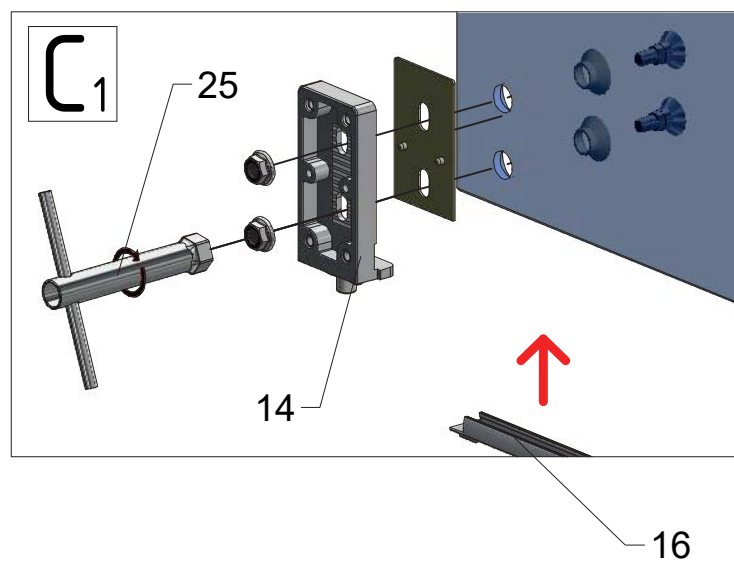
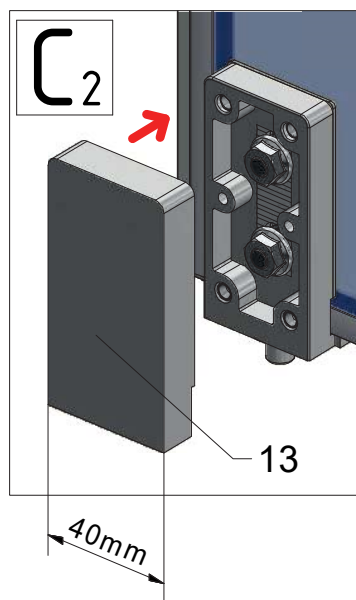
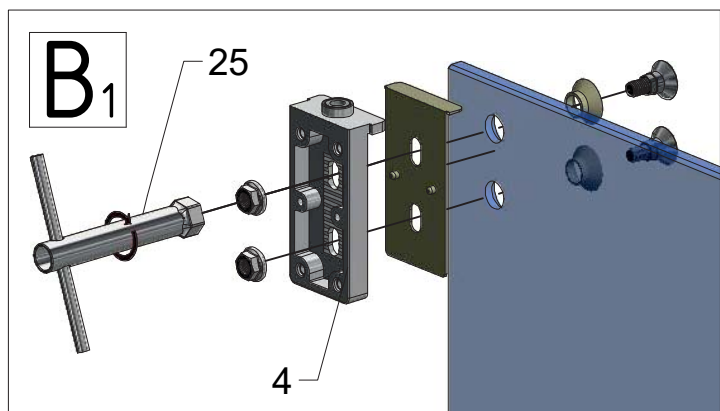
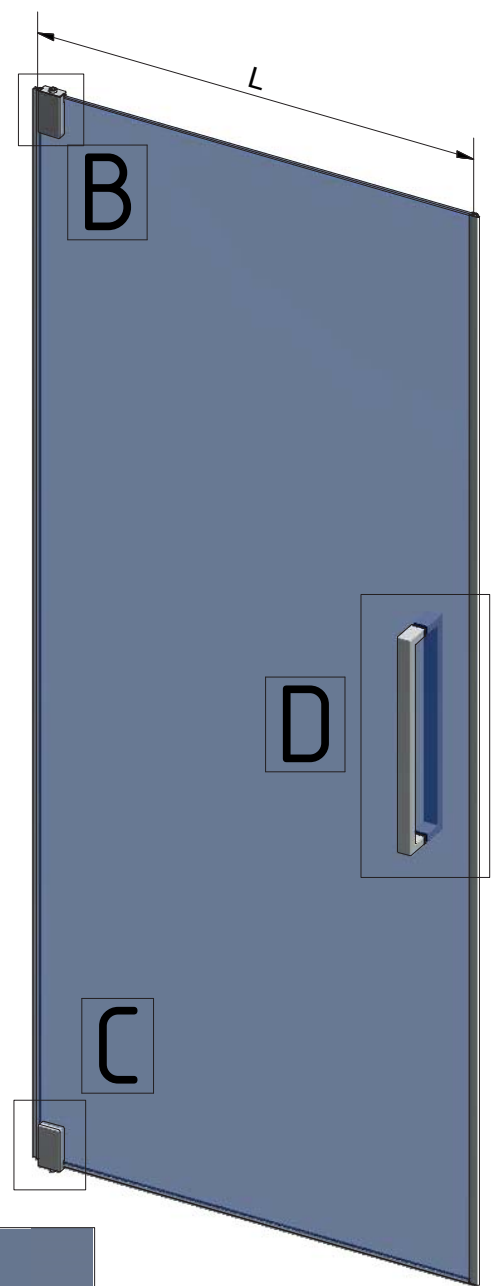
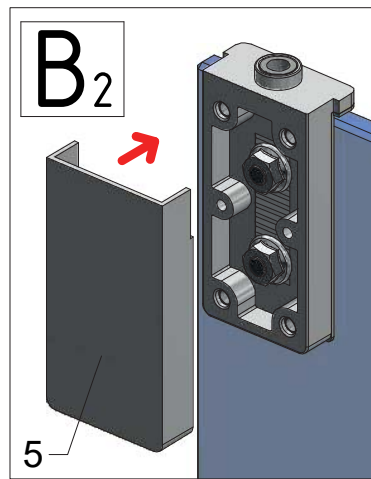
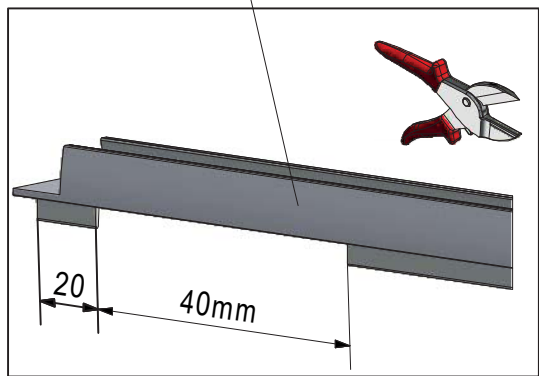
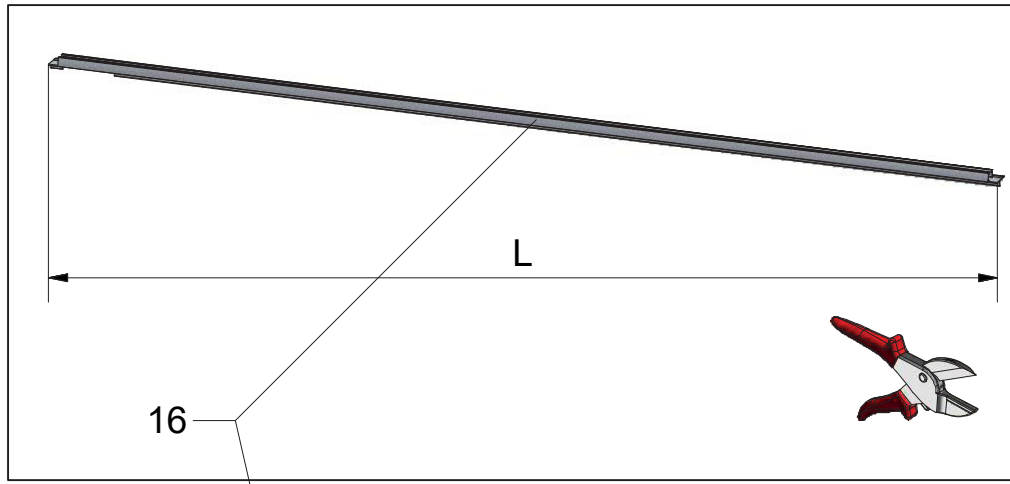
HI PI2			
POS.	PREVIEW	DESCR.	PCS
18		Plastic part	1
19		Fixing screw	1
20		Seal	1
21		Glass panel	1
22		Handle	1
23		Magnet 45°	1+1 SET
24		IMBUS 2,5	1
25		Spec. tool	14

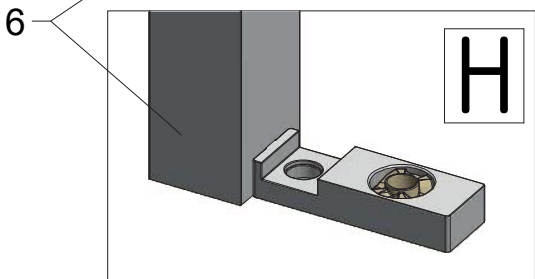
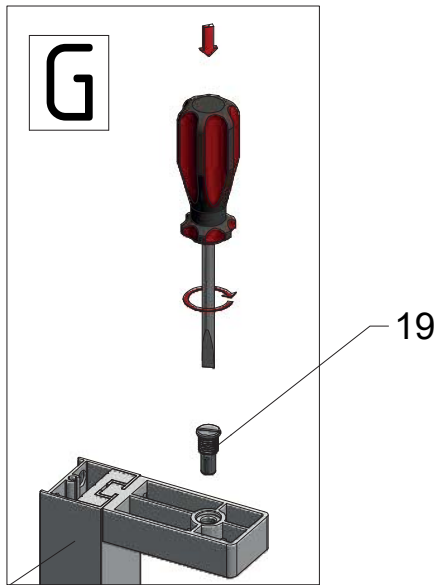
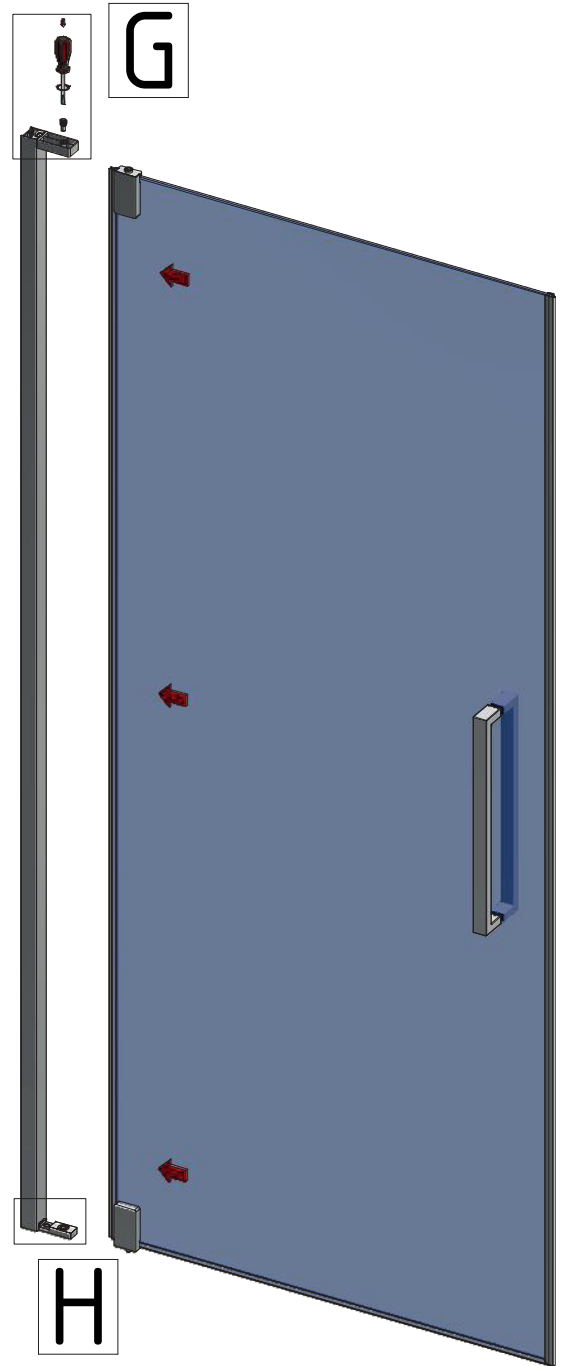
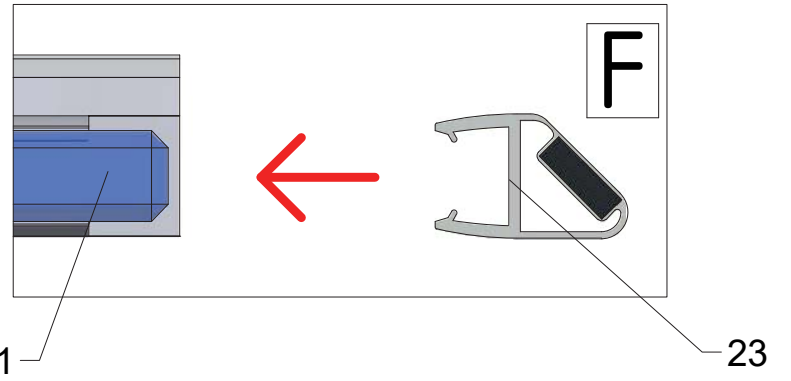
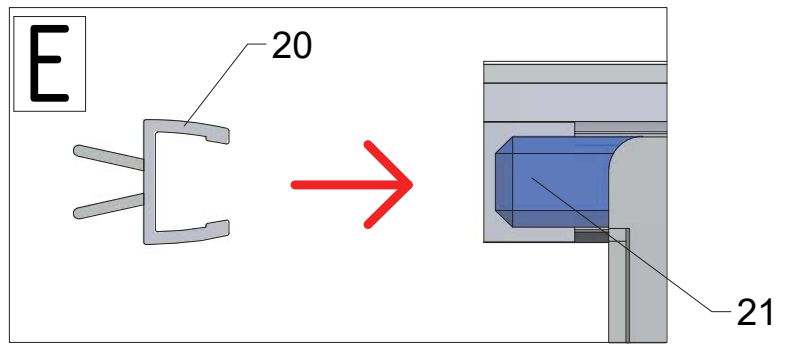
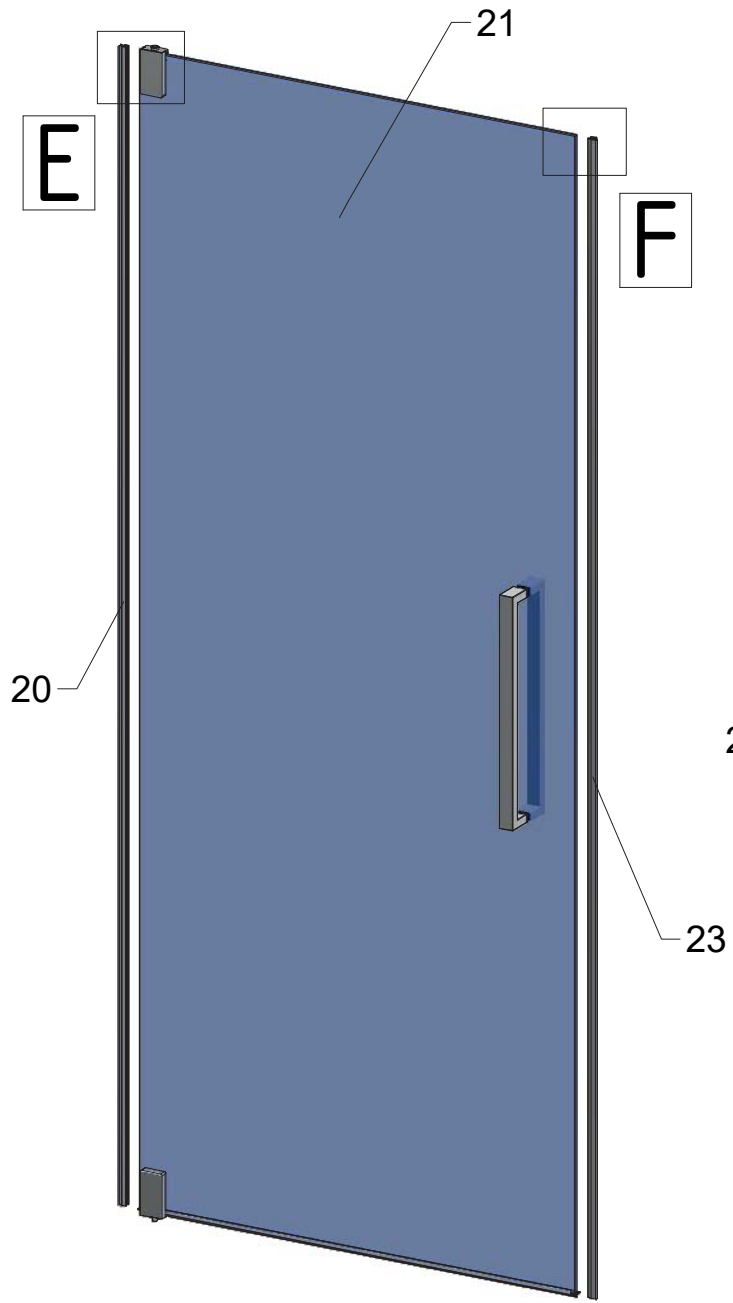
HI PI2 + HI PI2

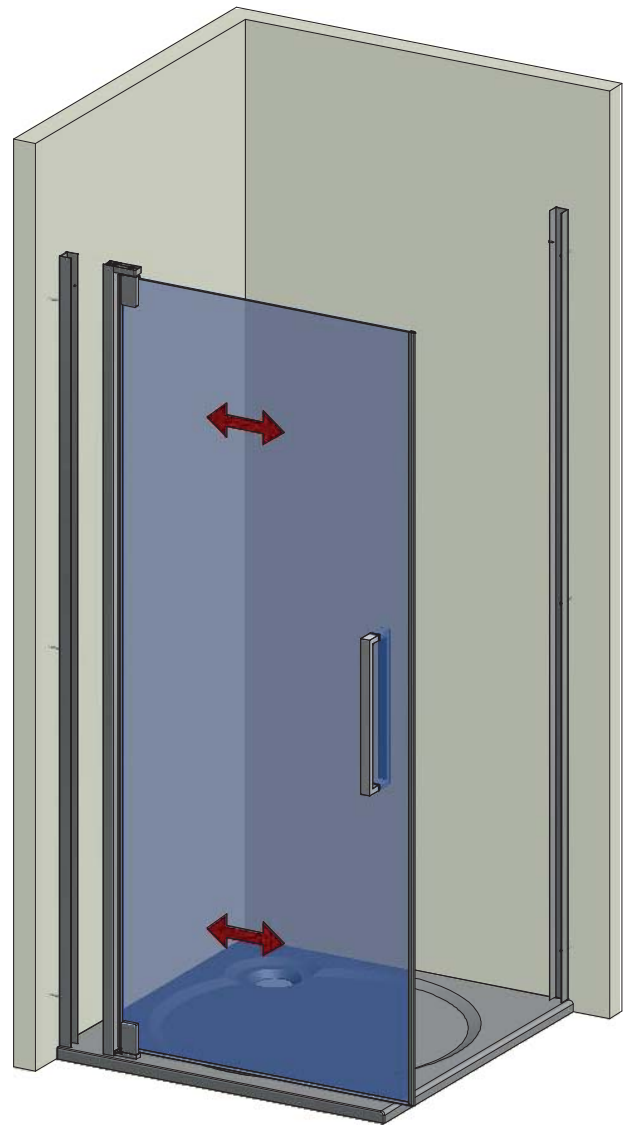
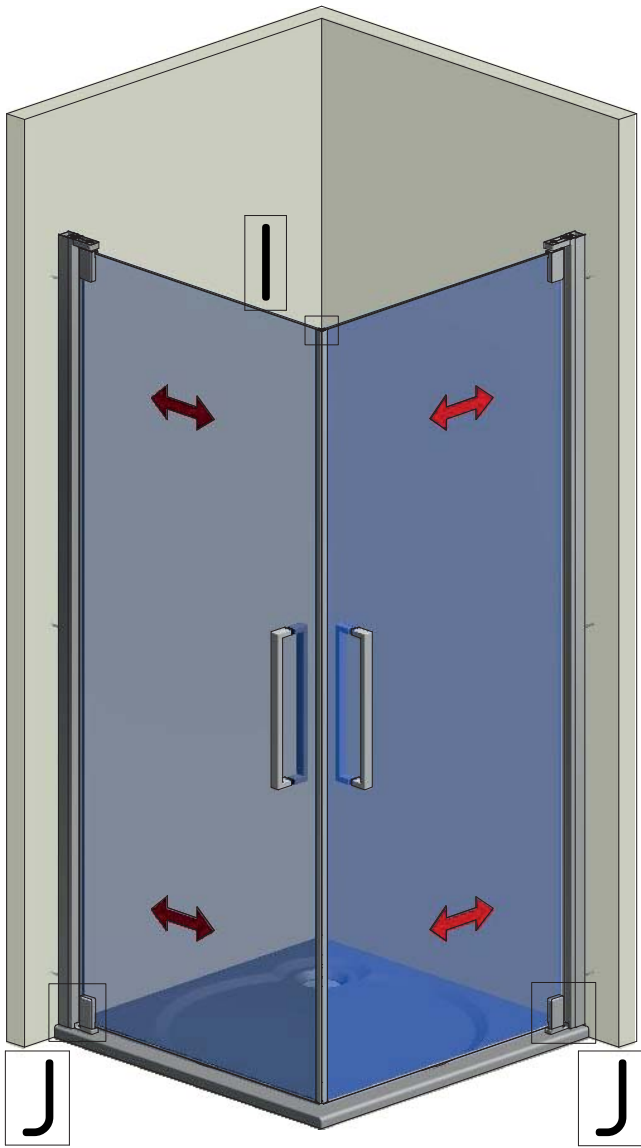


TYPE	X (mm)	X - 10mm
HI PI2 + HI PI2 800 (CORNER)	782 - 798	772 - 788
HI PI2 + HI PI2 900 (CORNER)	882 - 898	872 - 888
HI PI2 + HI PI2 1000 (CORNER)	982 - 998	972 - 988

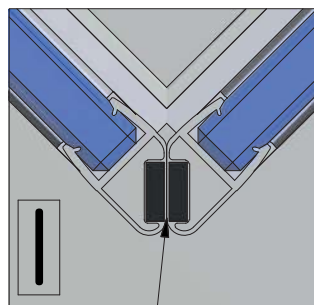




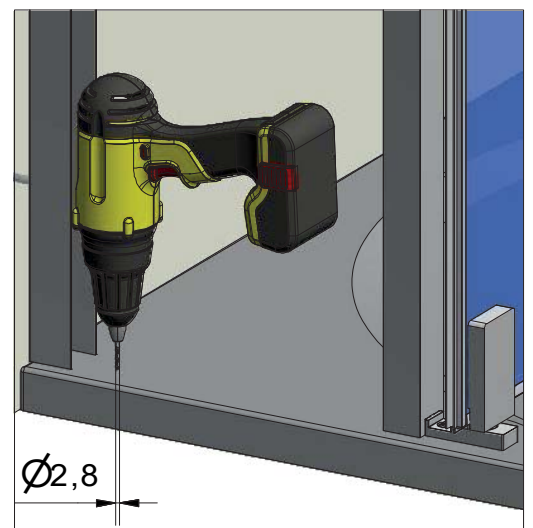
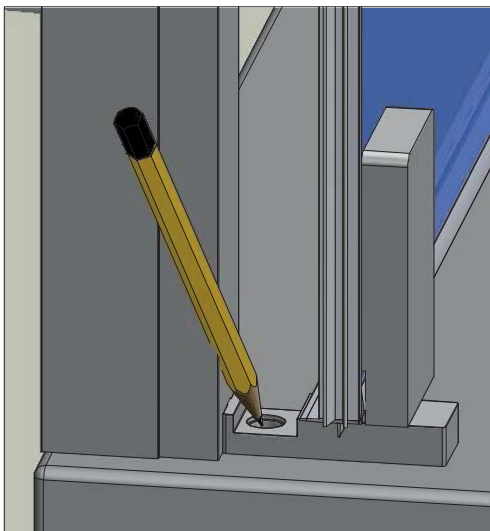




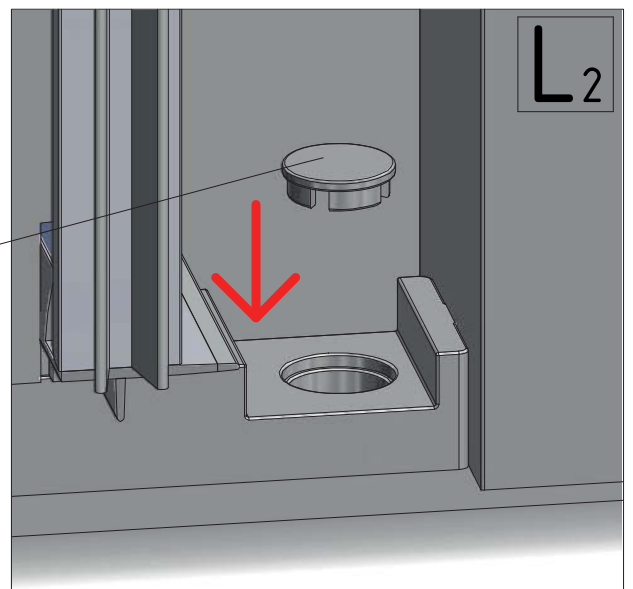
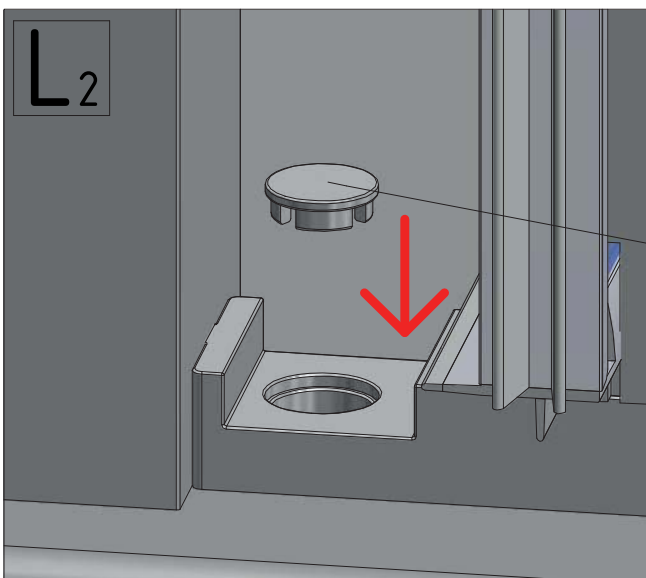
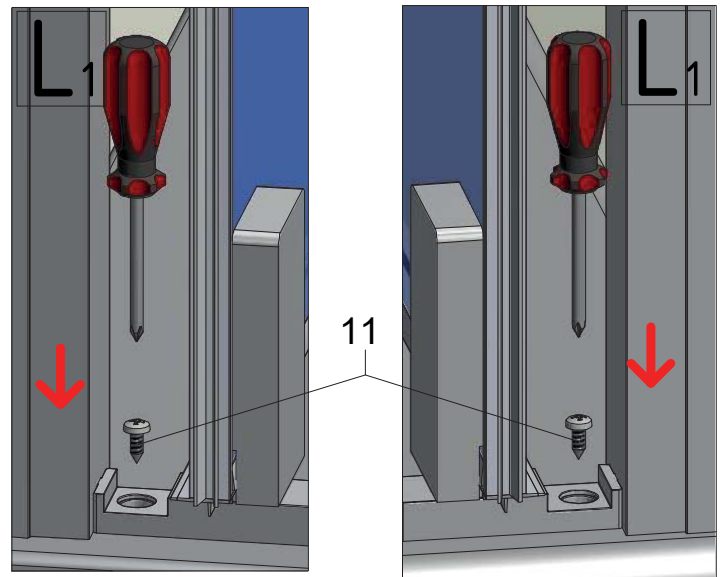
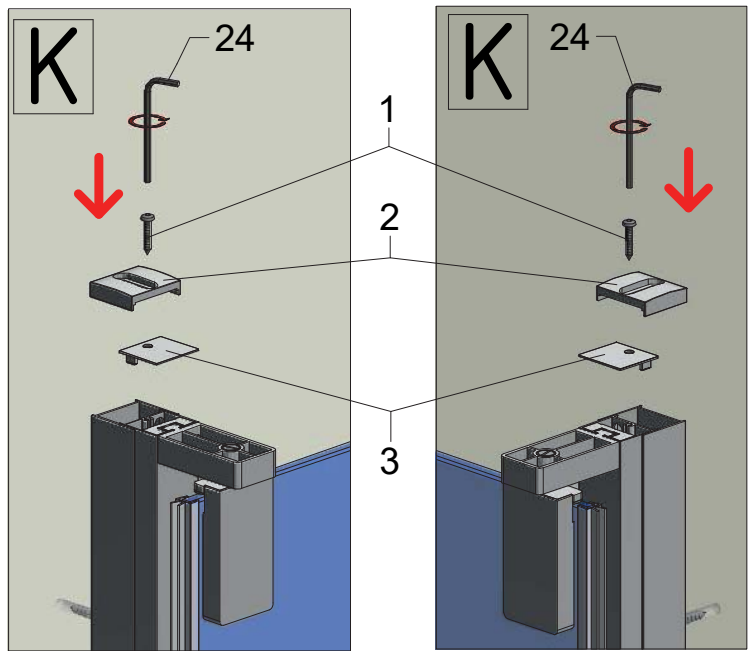
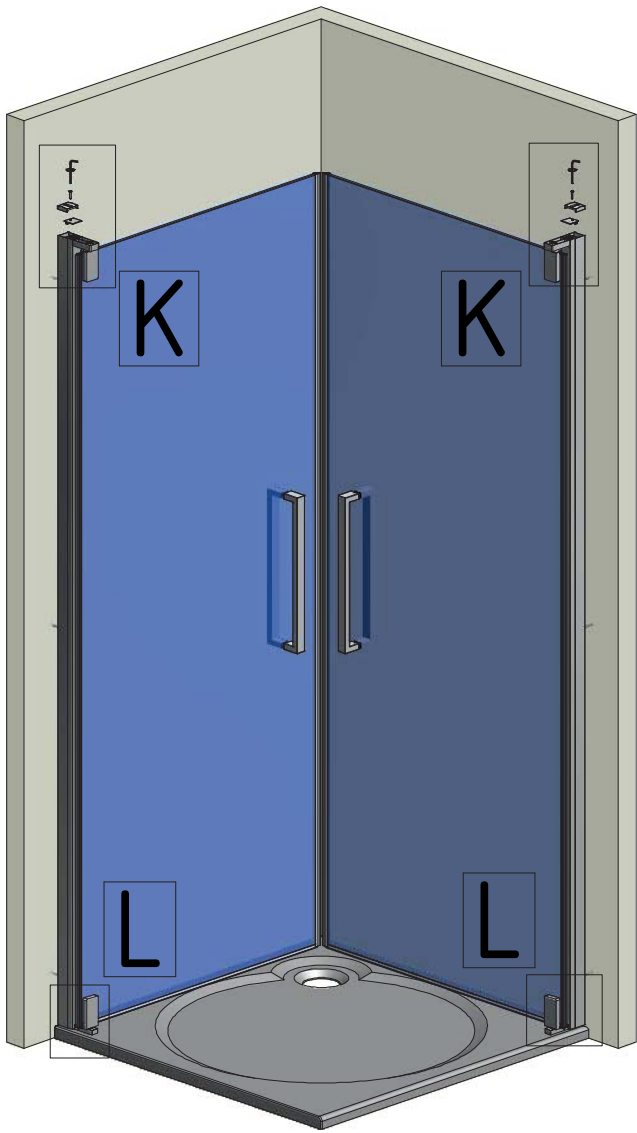
J

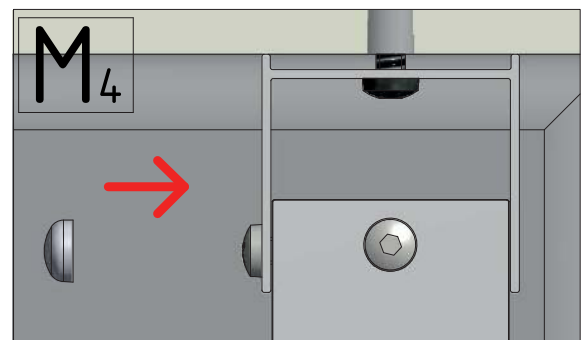
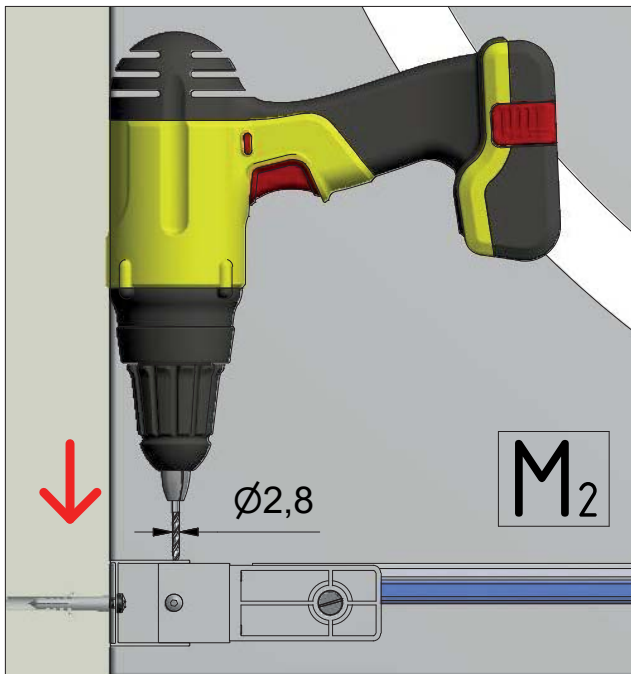
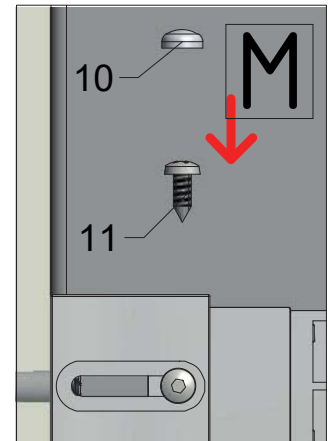
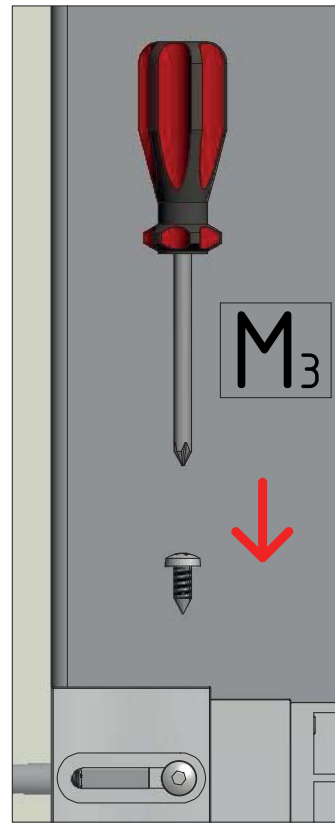
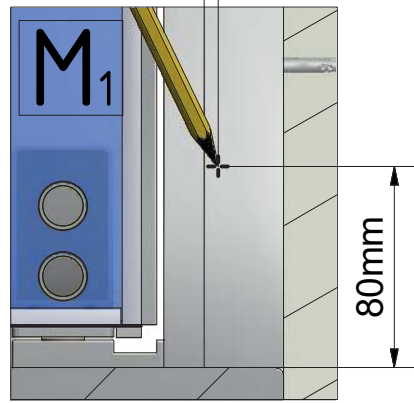
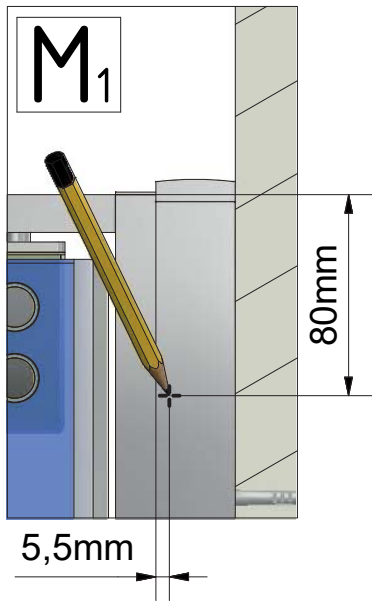
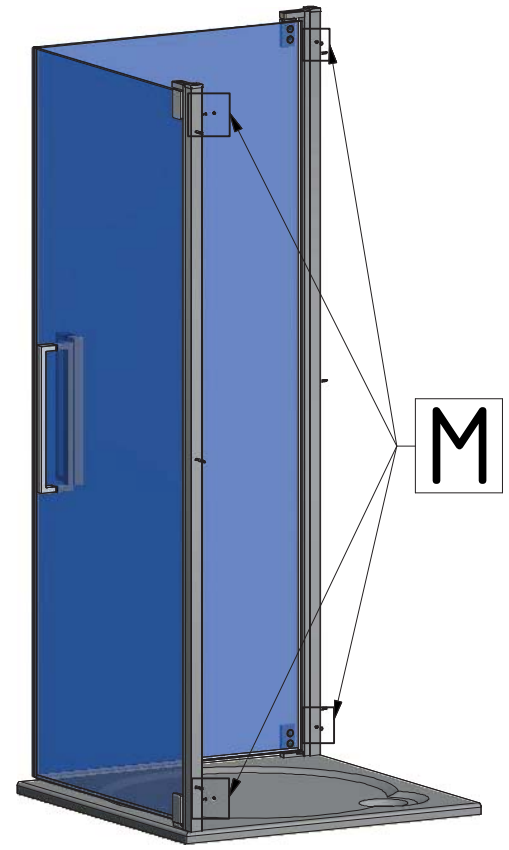
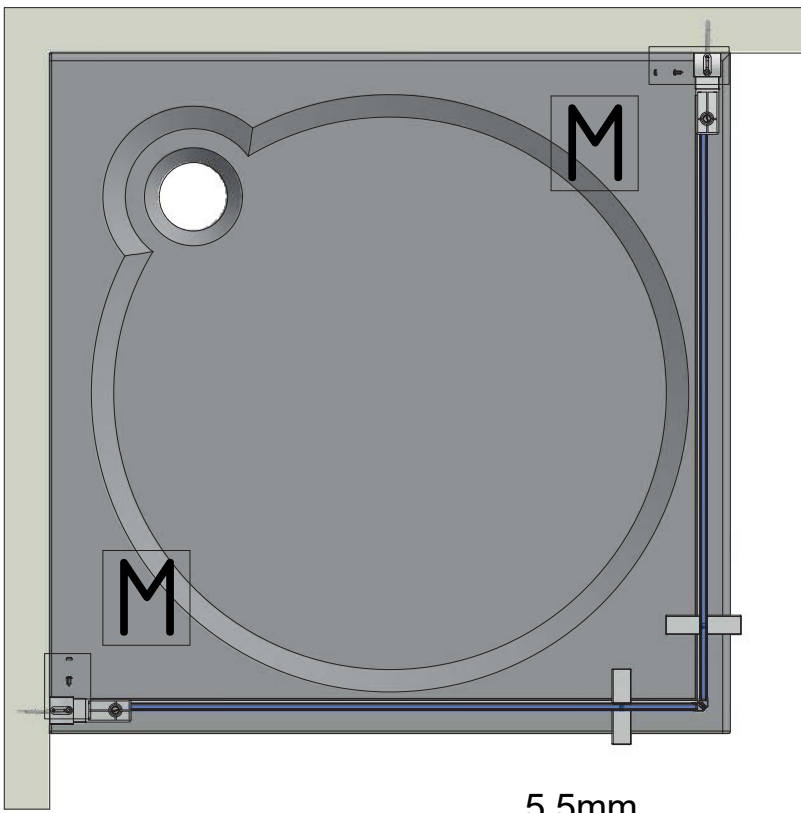


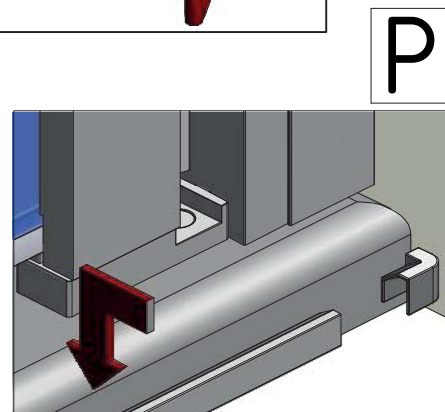
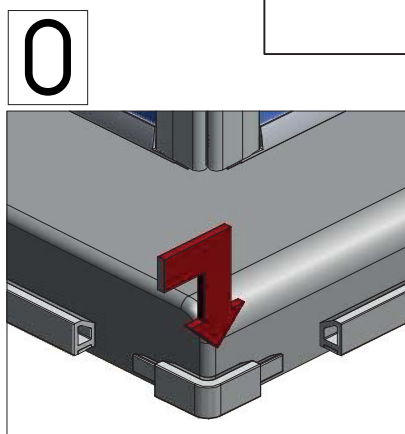
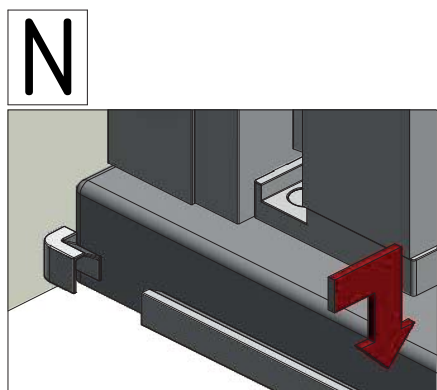
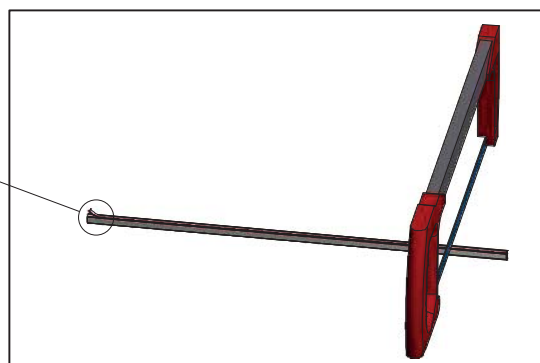
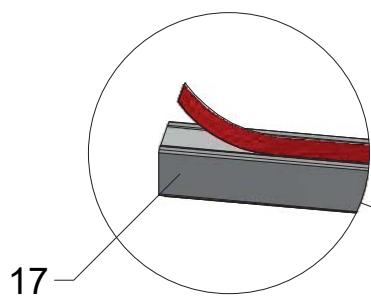
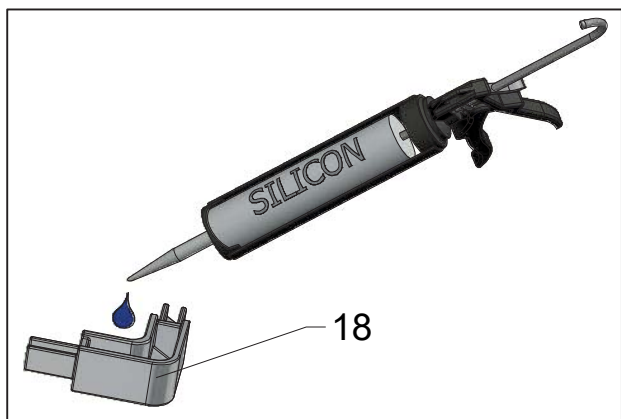
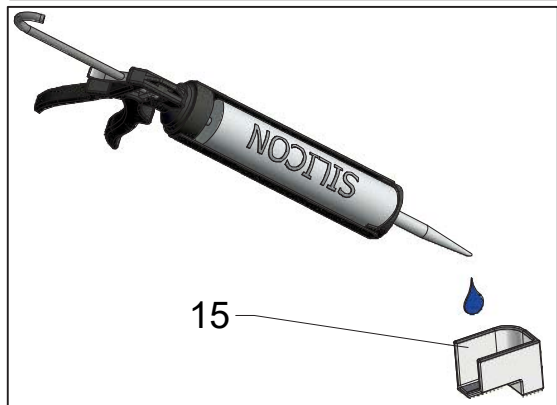
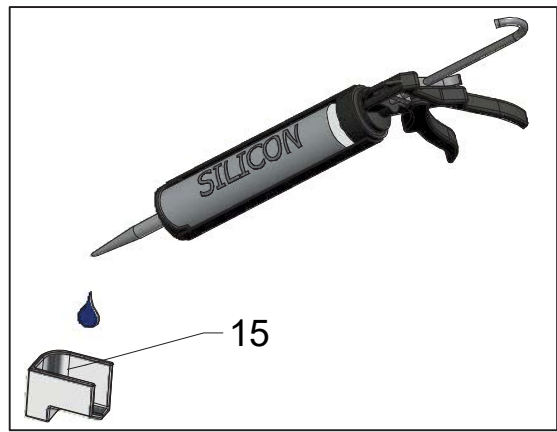
OK

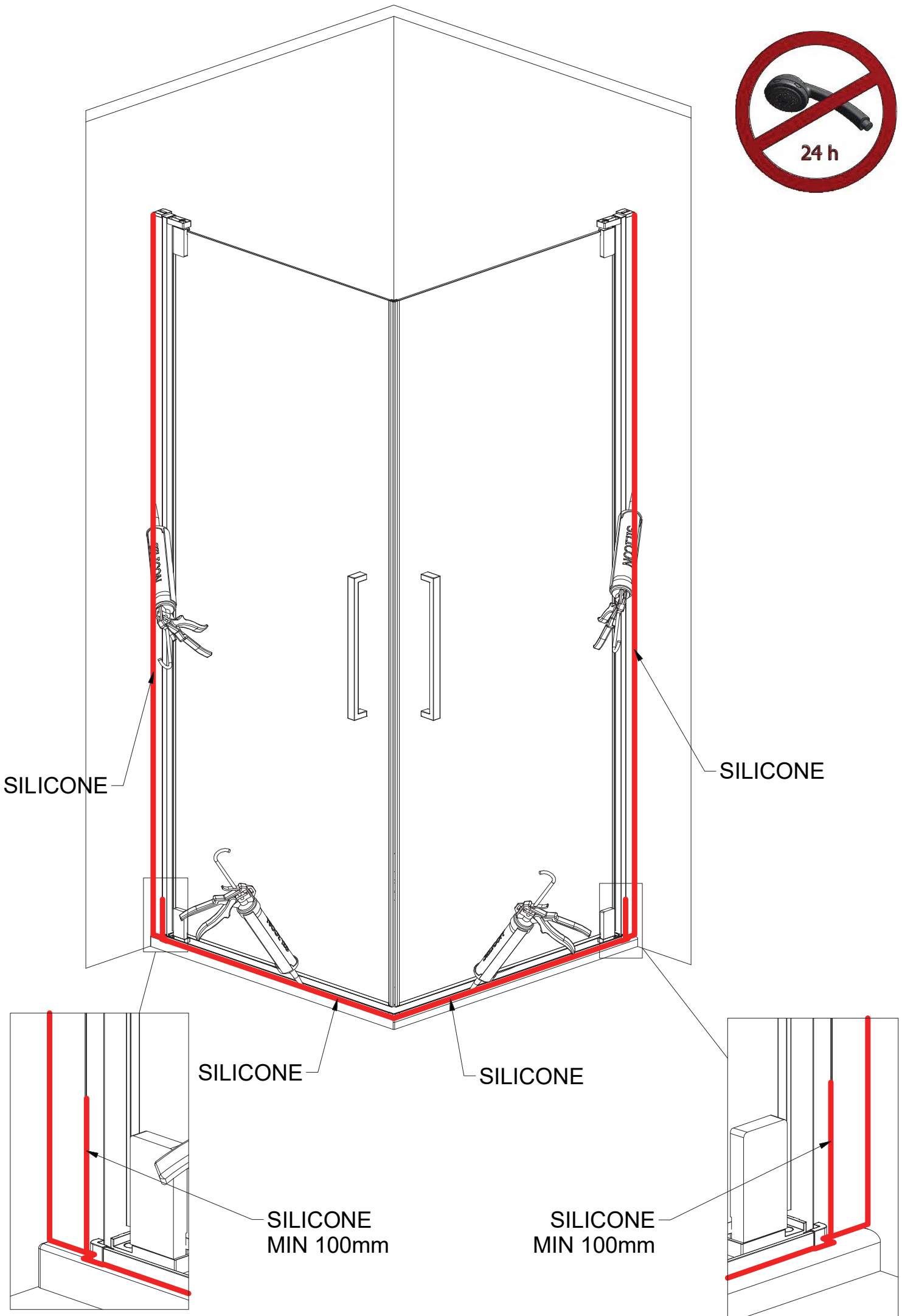


J

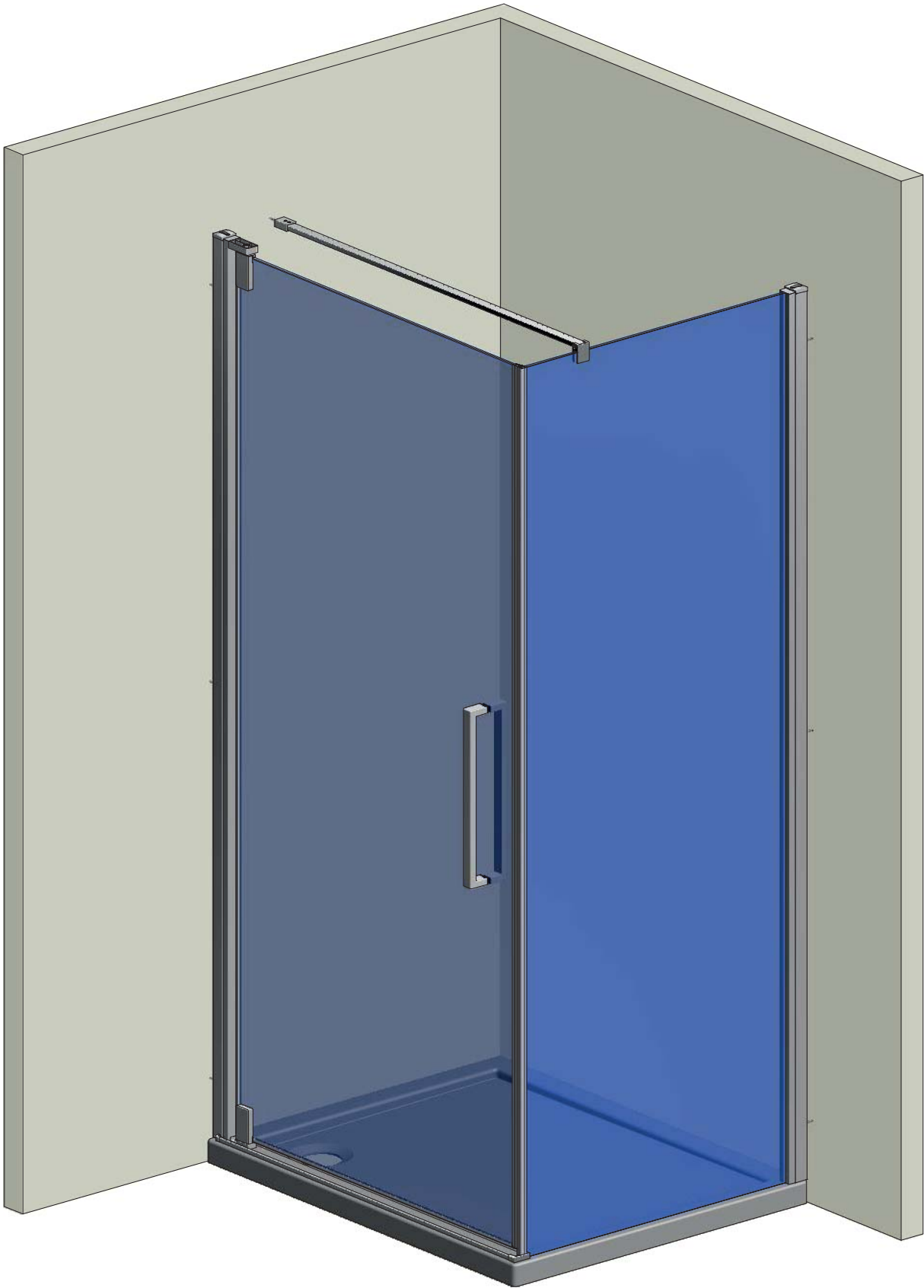








HI P12 + HI FXP

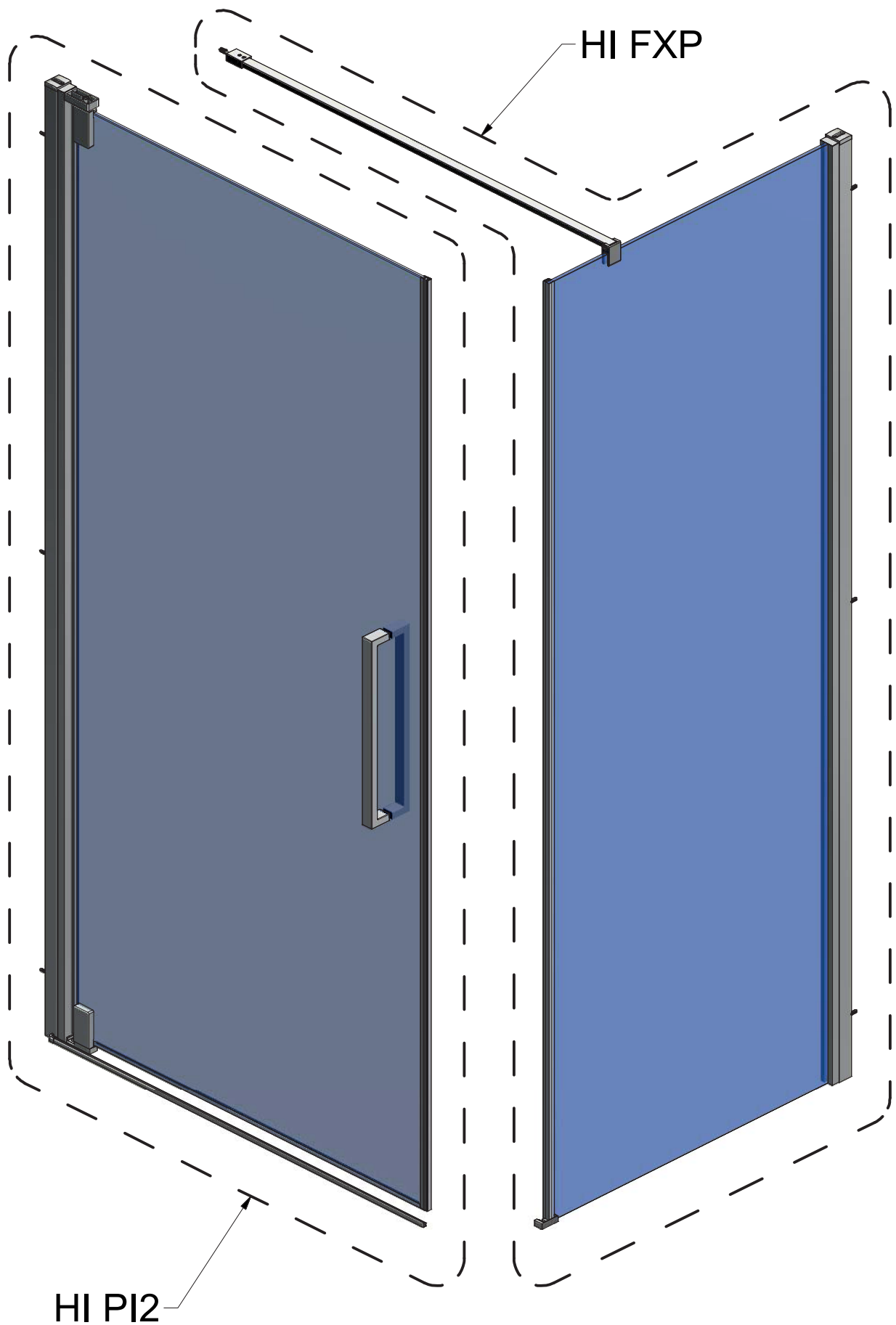


HI PI2 + HI FXP

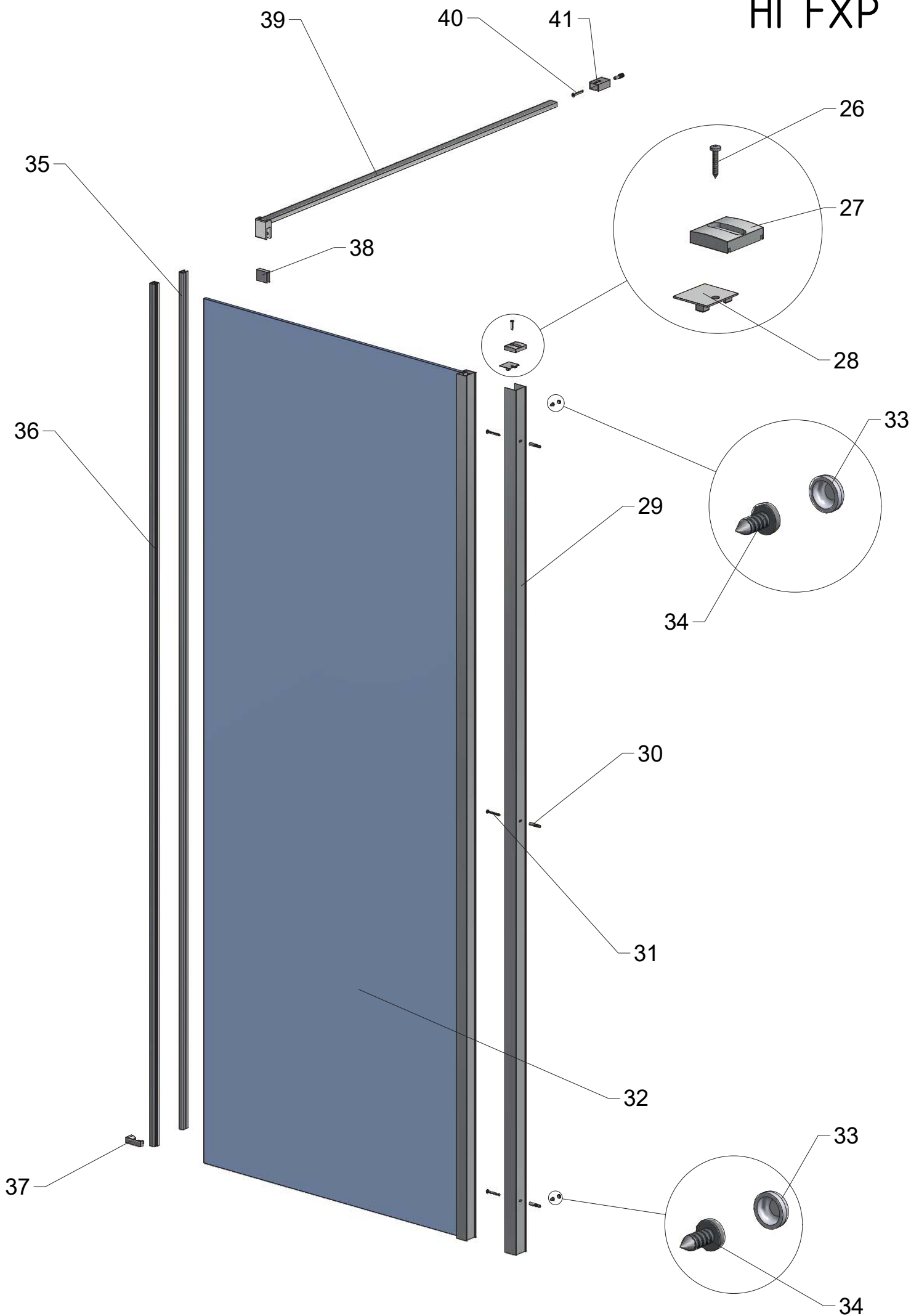
Sehen Montageanleitung HI PI2 + HI PI2

See installation instructions HI PI2 + HI PI2

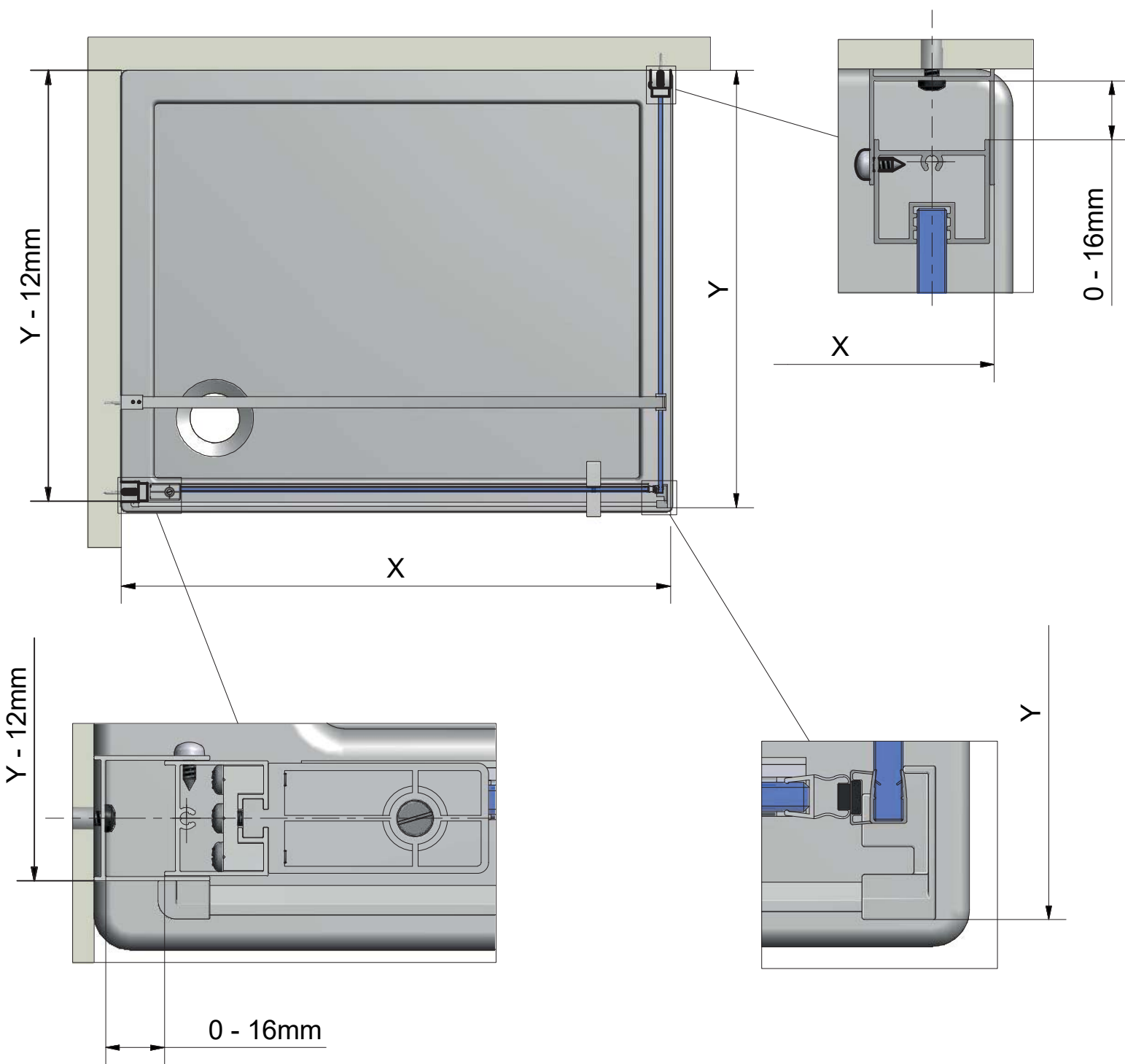
Dle montážního návodu HI PI2 + HI PI2




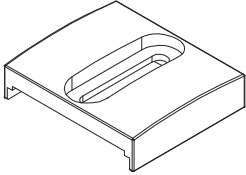
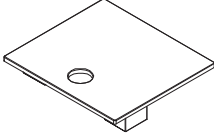



HI FXP

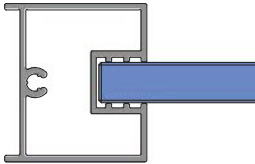




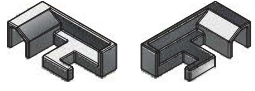
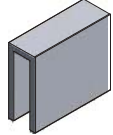
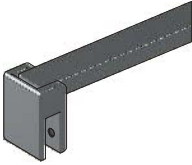




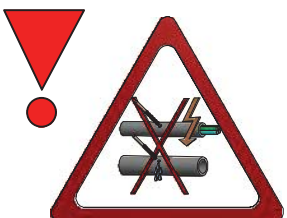
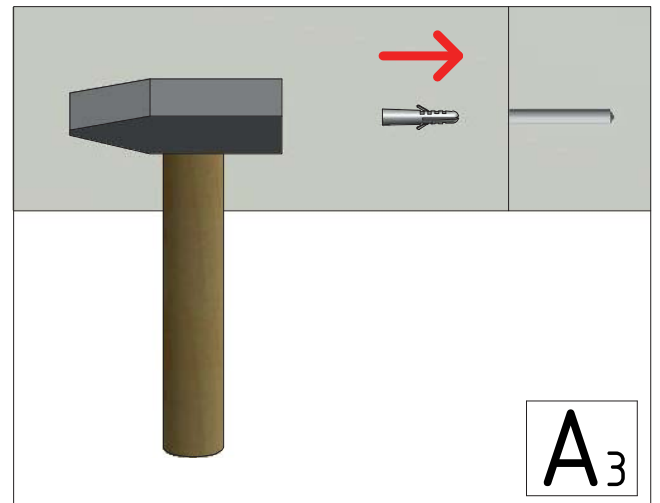
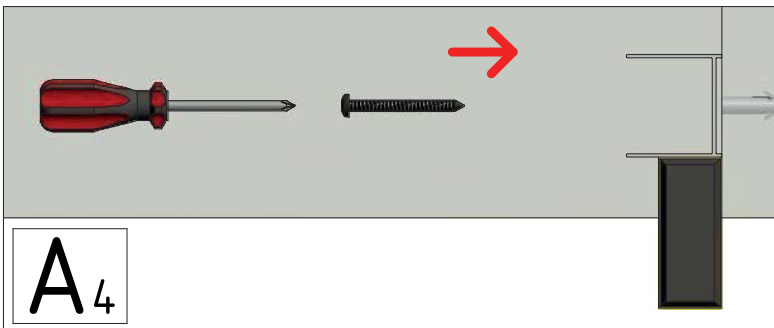
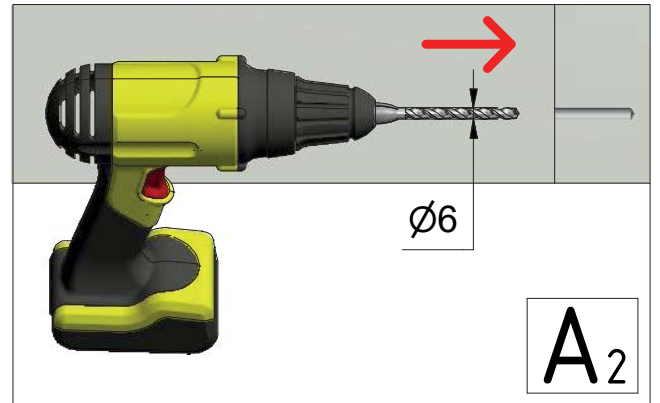
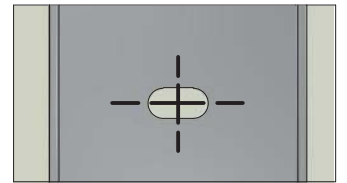
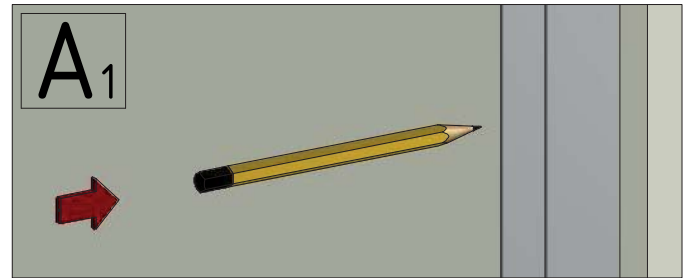
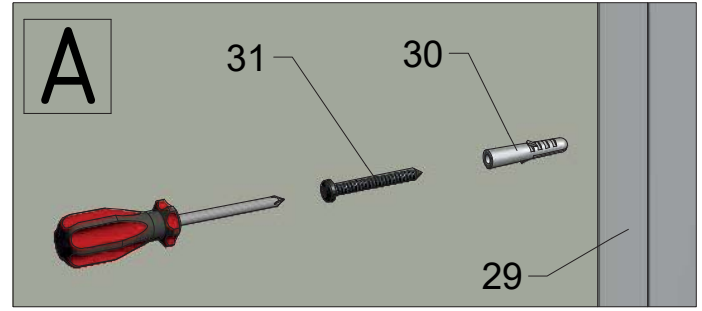
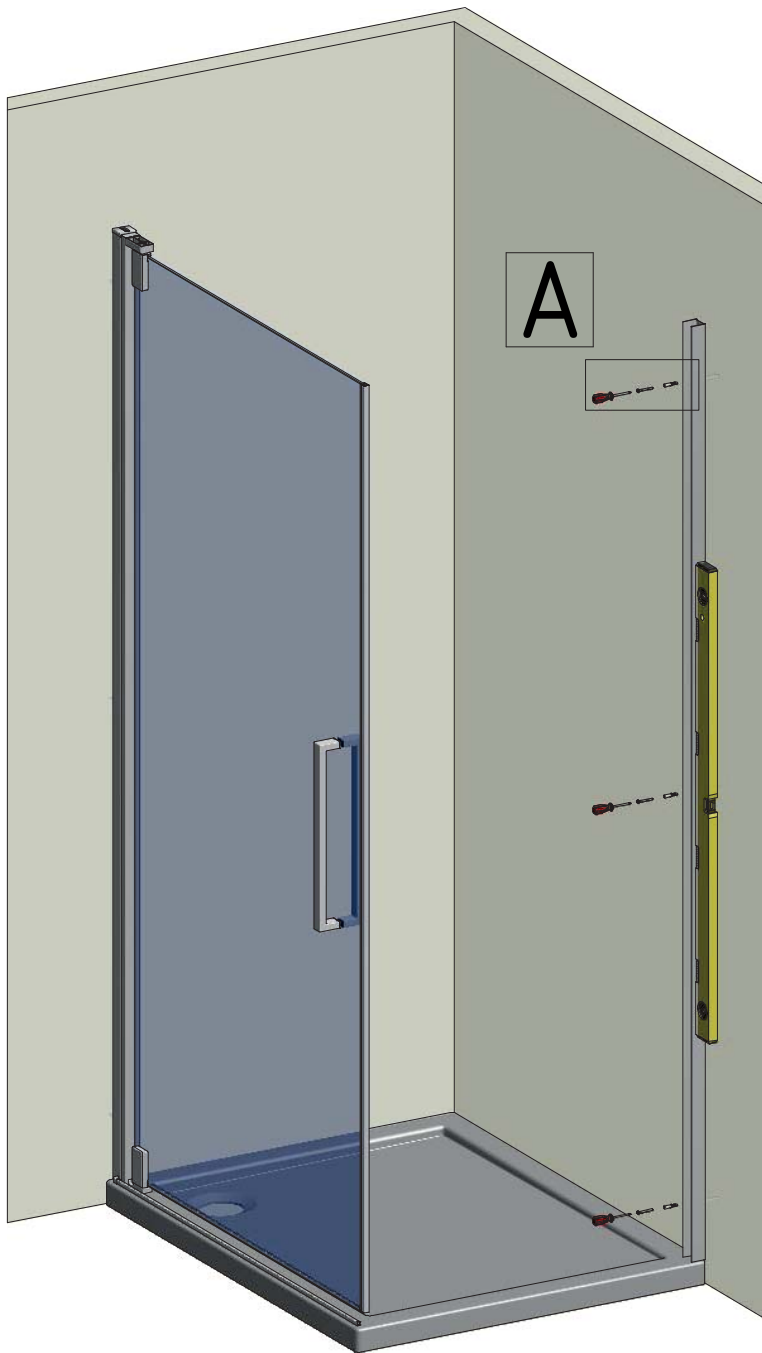
HI PI2 + HI FXP

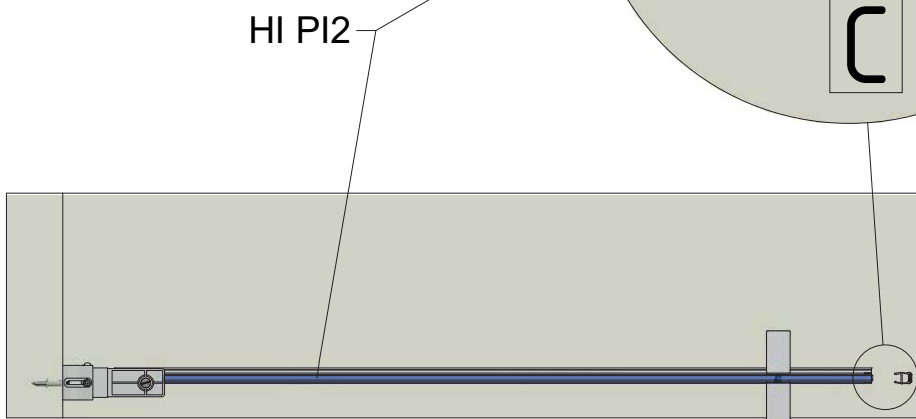
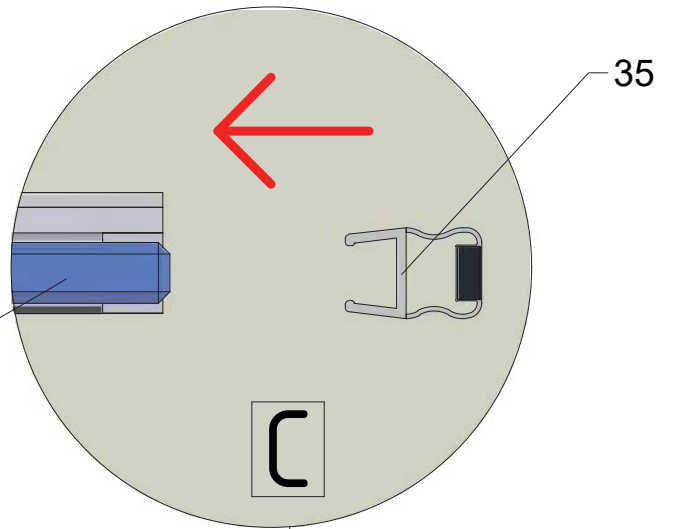
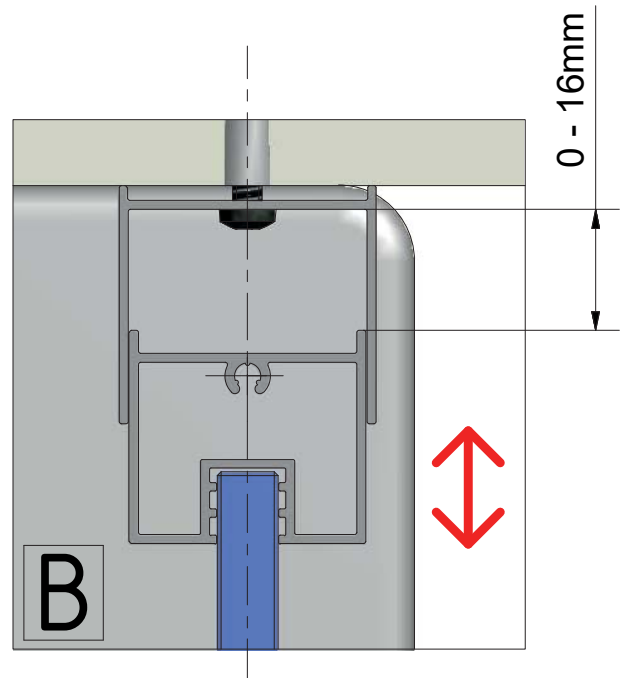
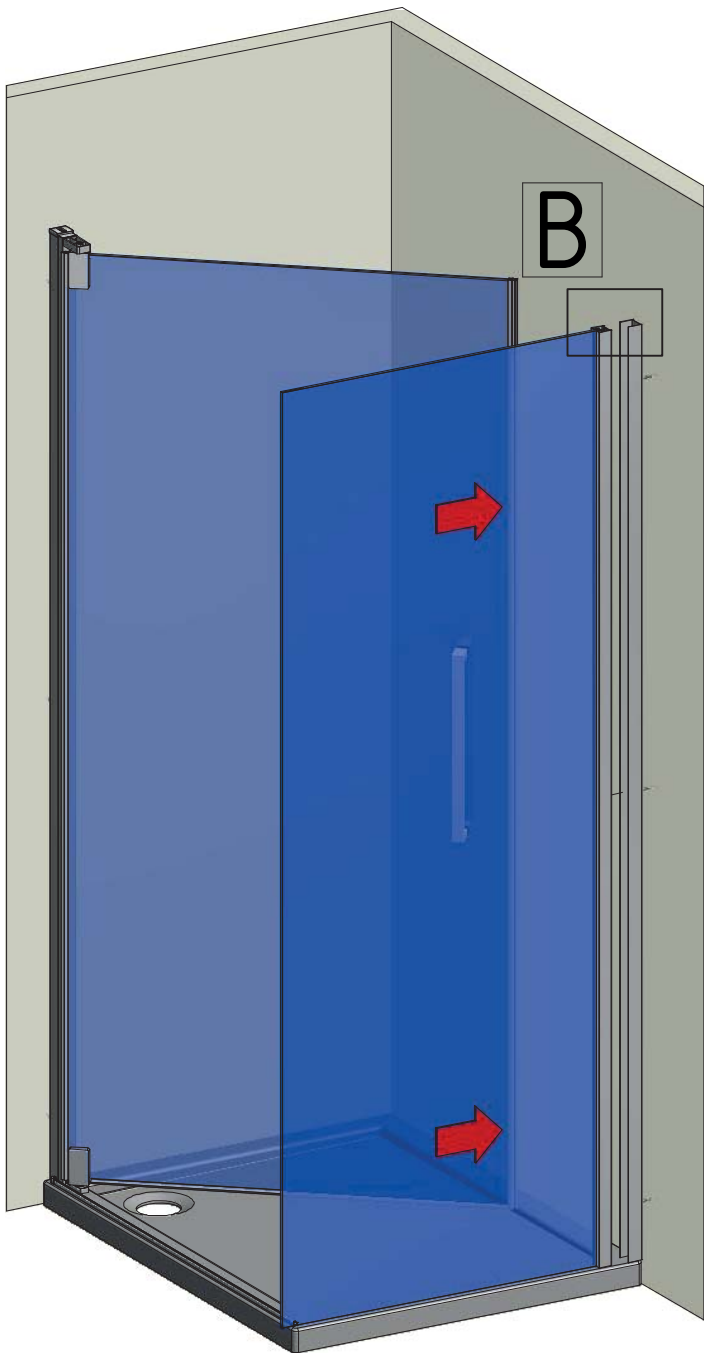


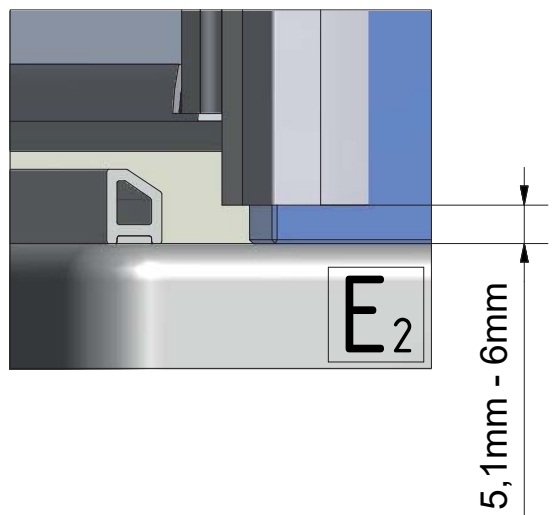
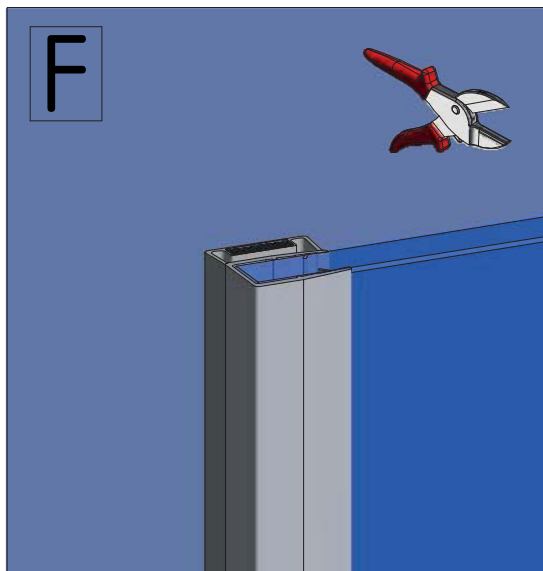
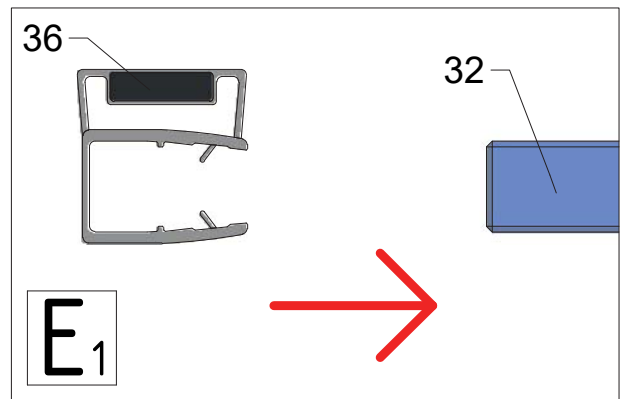
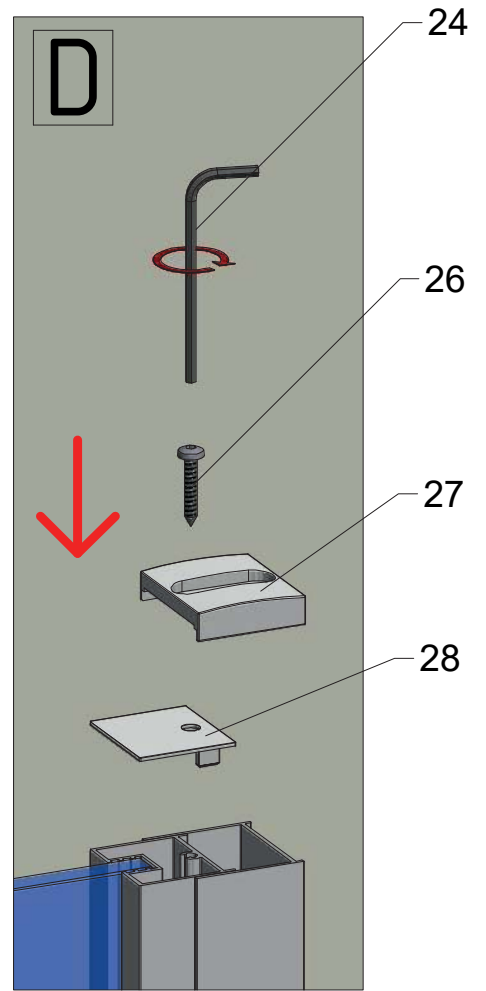
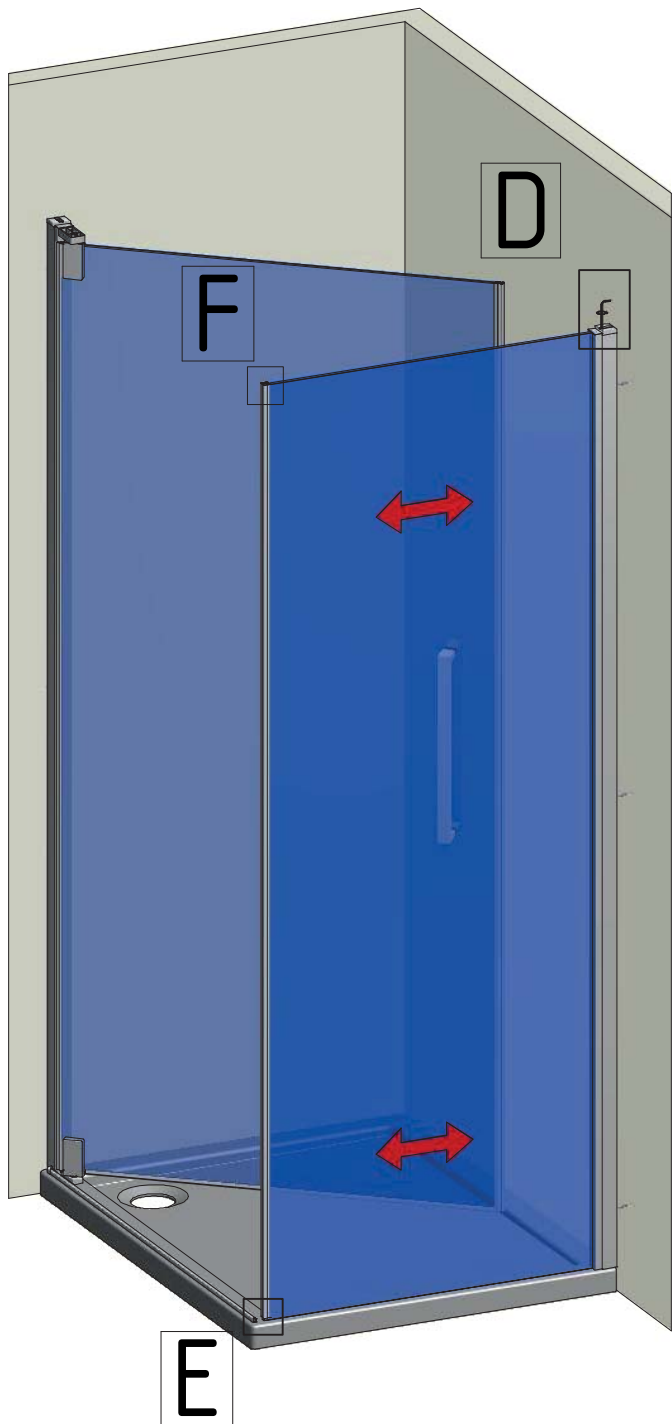
TYPE	X (mm)	Y (mm)	Y - 12mm
HI PI2 + HI FXP 800x2000	780 - 796	777 - 793	765 - 781
HI PI2 + HI FXP 900x2000	880 - 896	877 - 893	865 - 881
HI PI2 + HI FXP 1000x2000	980 - 996	977 - 993	965 - 981

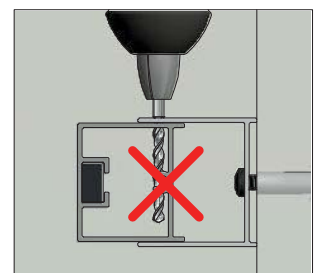
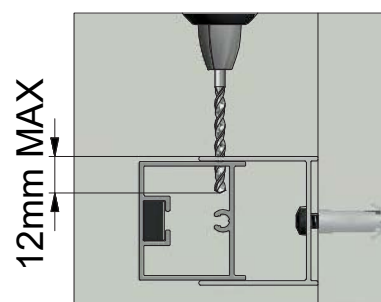
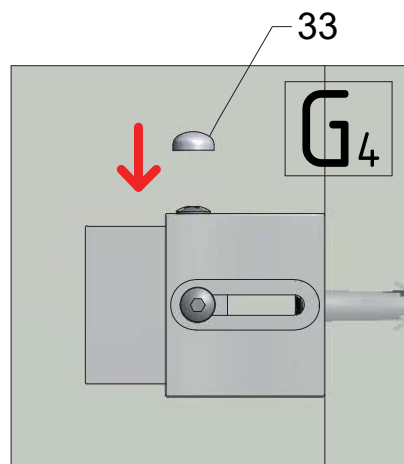
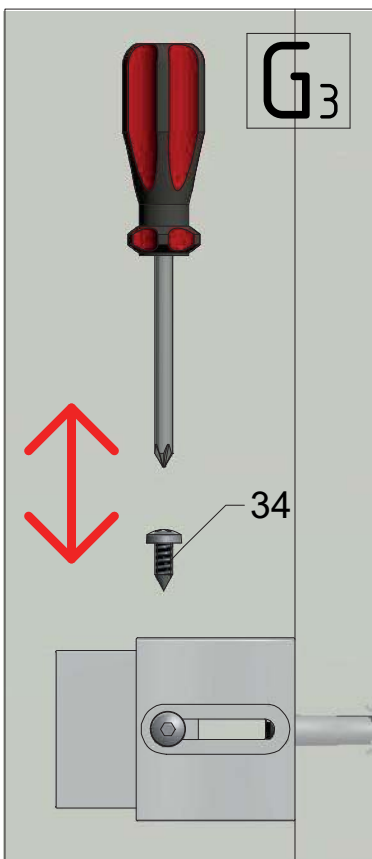
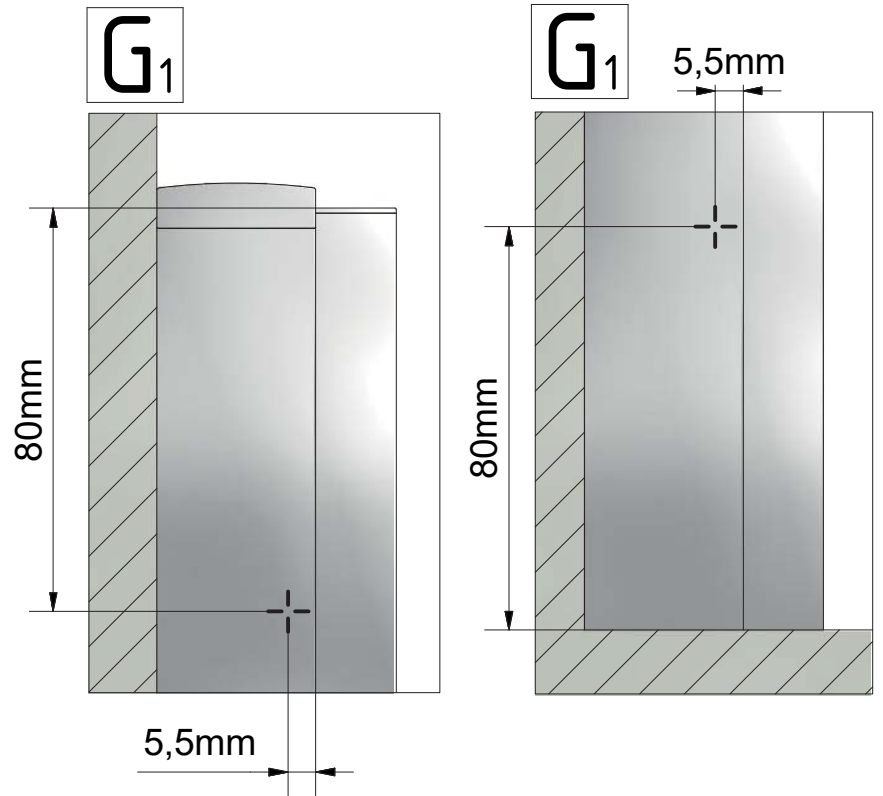
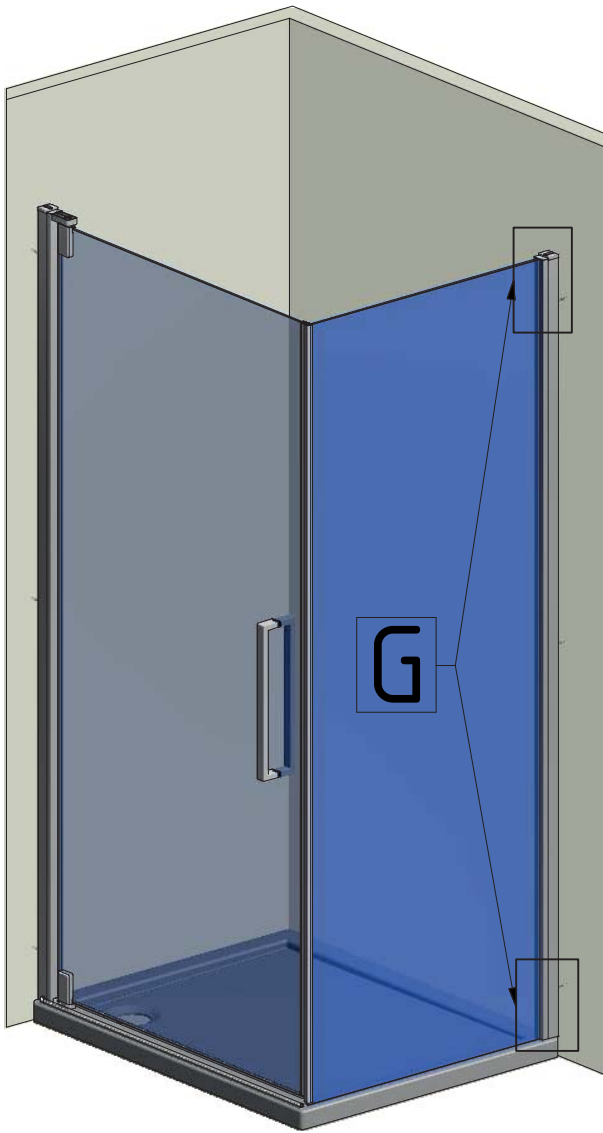
HI FXP			
POS.	PREVIEW	DESCR.	PCS
26		ST3,5 x 20	1
27		Profile cap	1
28		Profile cap	1
29		Wall profile	1
30		DOWEL 6	4
31		ST 3,9 x 35	3

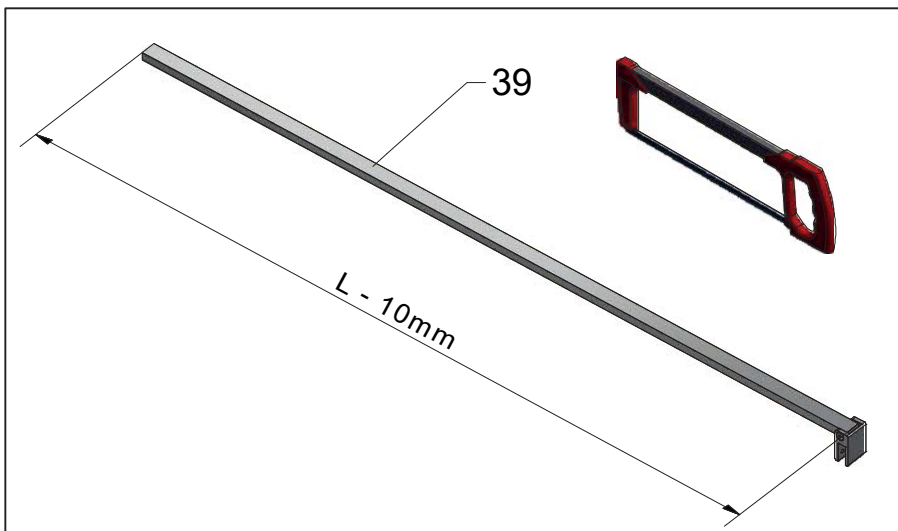
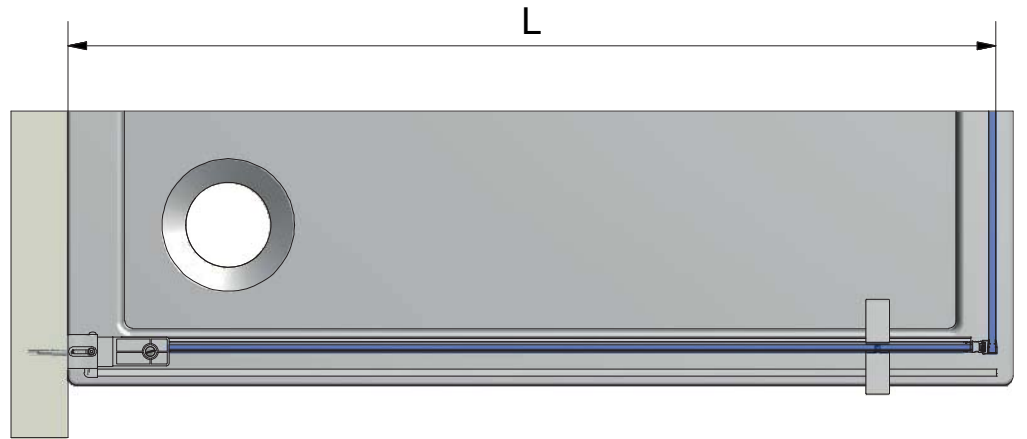
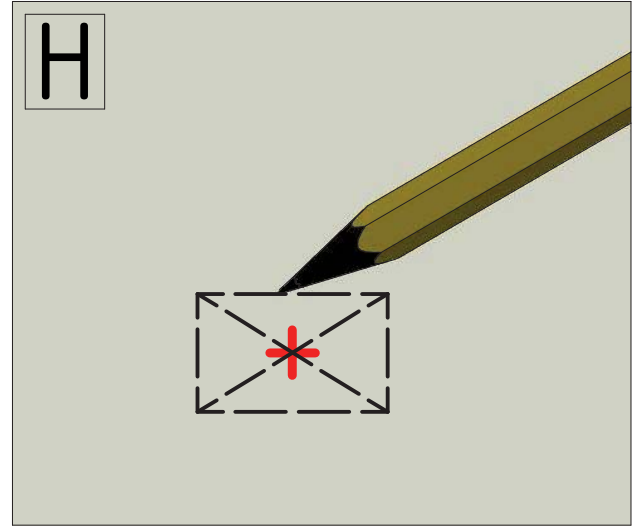
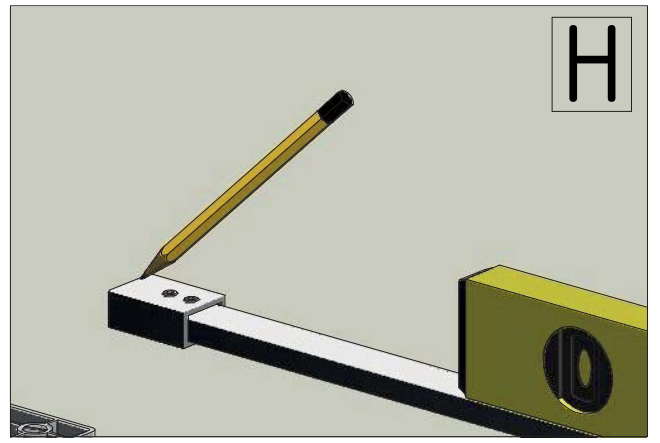
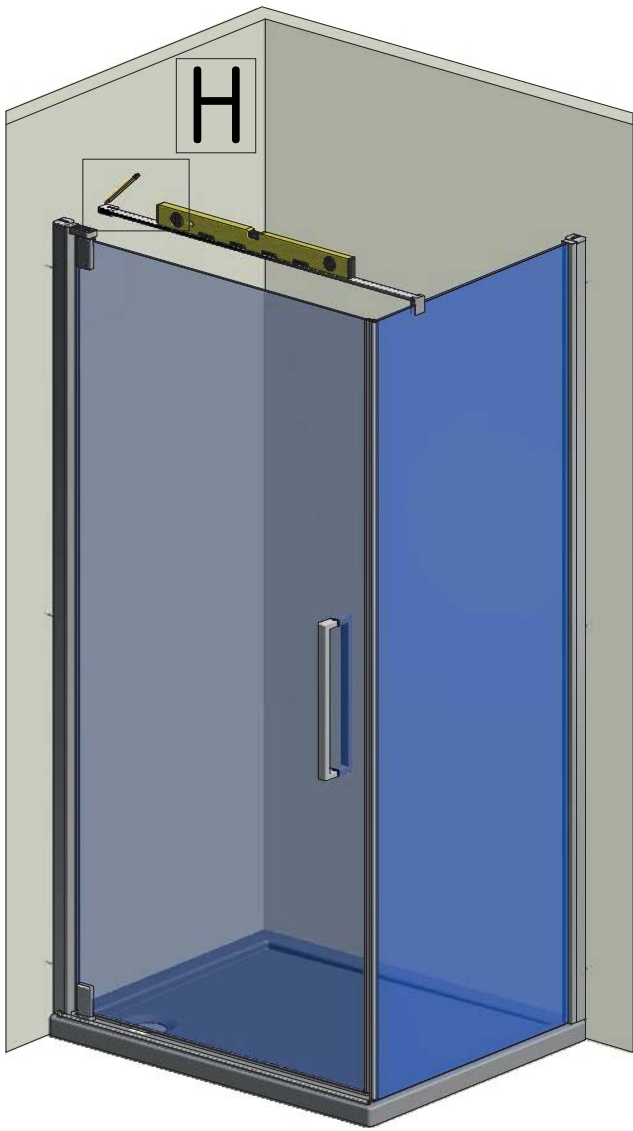
HI FXP			
POS.	PREVIEW	DESCR.	PCS
32		Glass panel + frame profile	1
33		Plastic part	2
34		ST3,5 x 9,5	2
35		MAGNET	1
36		MAGNETIC SEAL	1
37		End of the threshold profile	1+1 SET
38		Glass protector	1
39		Strut	1
40		ST3,5 x 35	1
41		Strut bracket	1

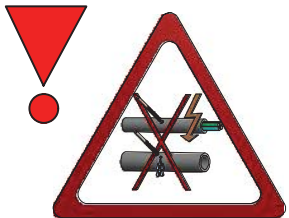
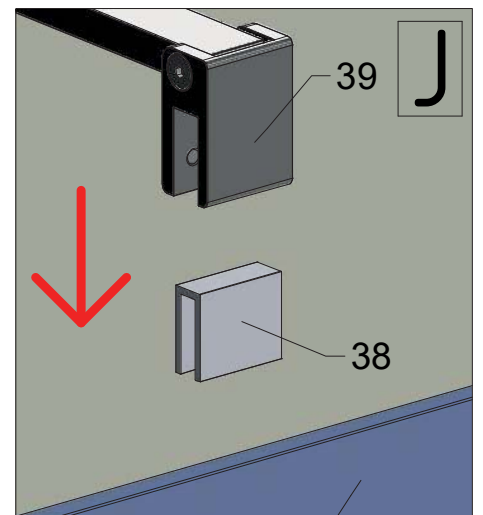
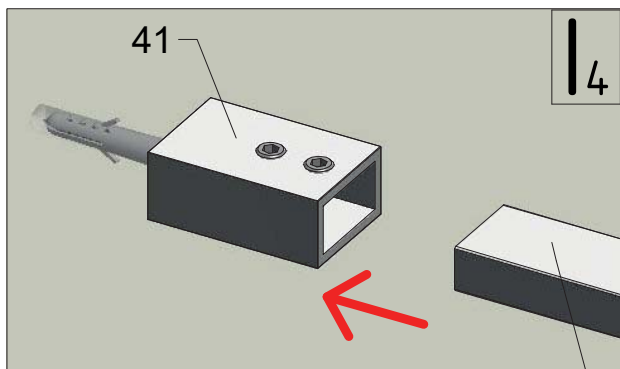
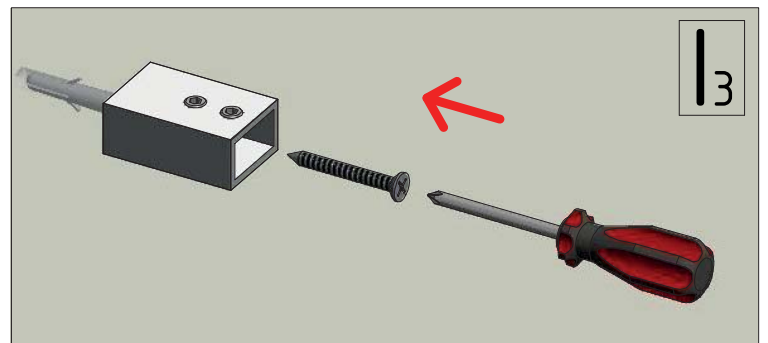
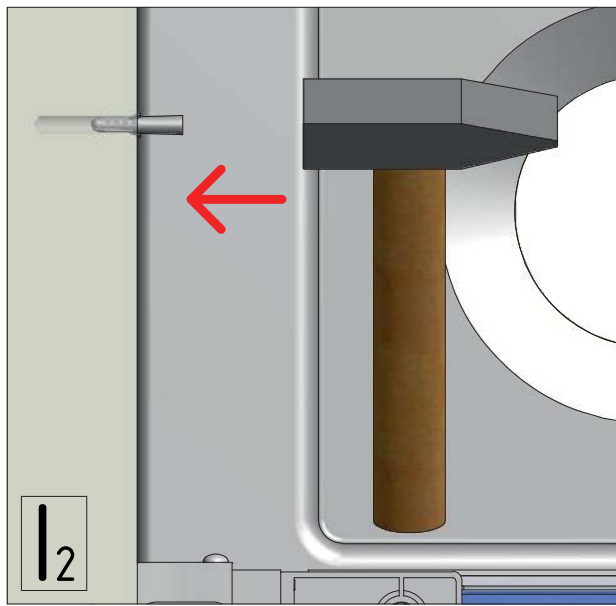
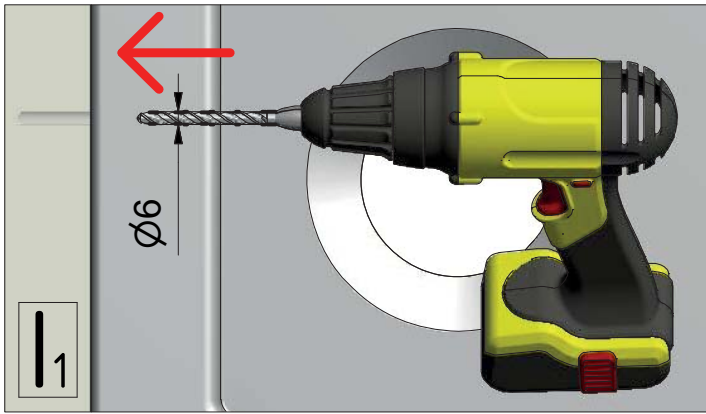
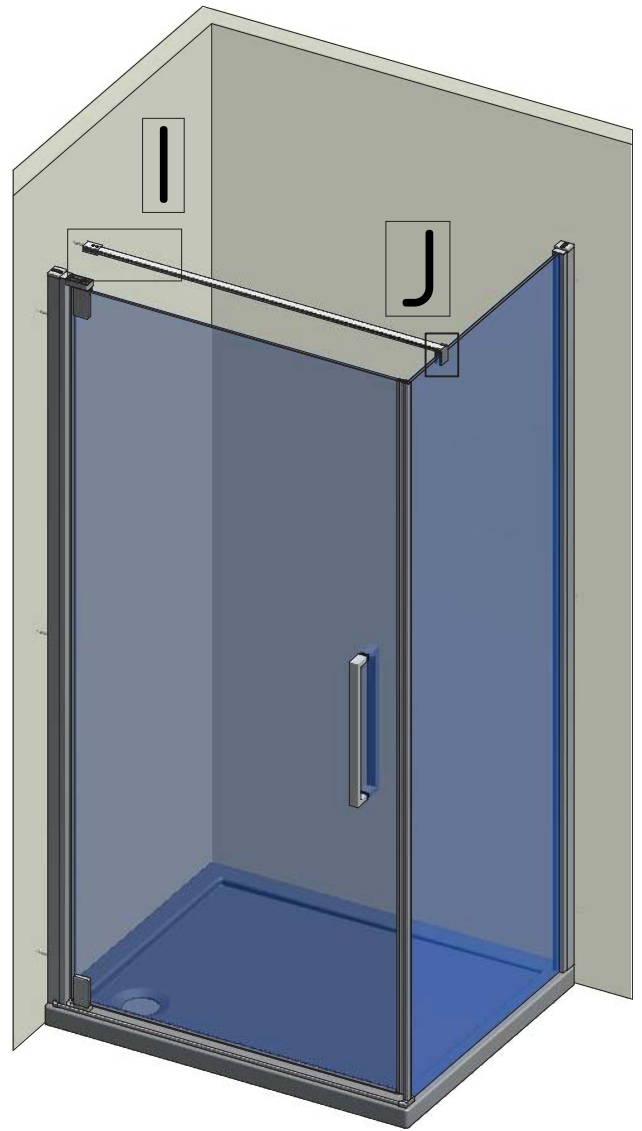
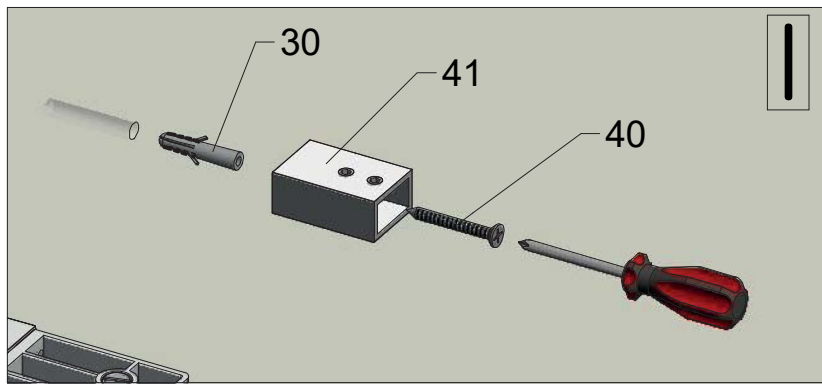


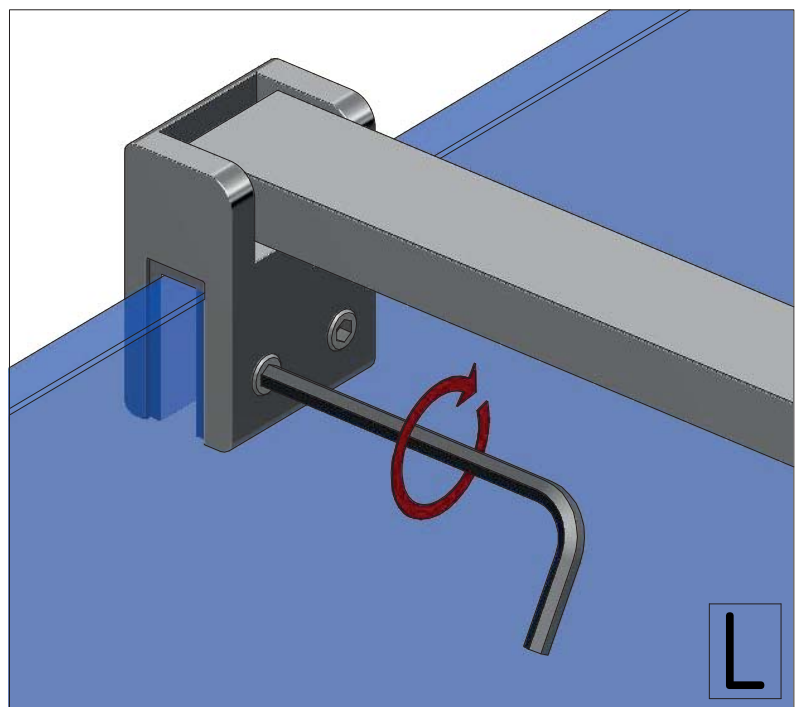
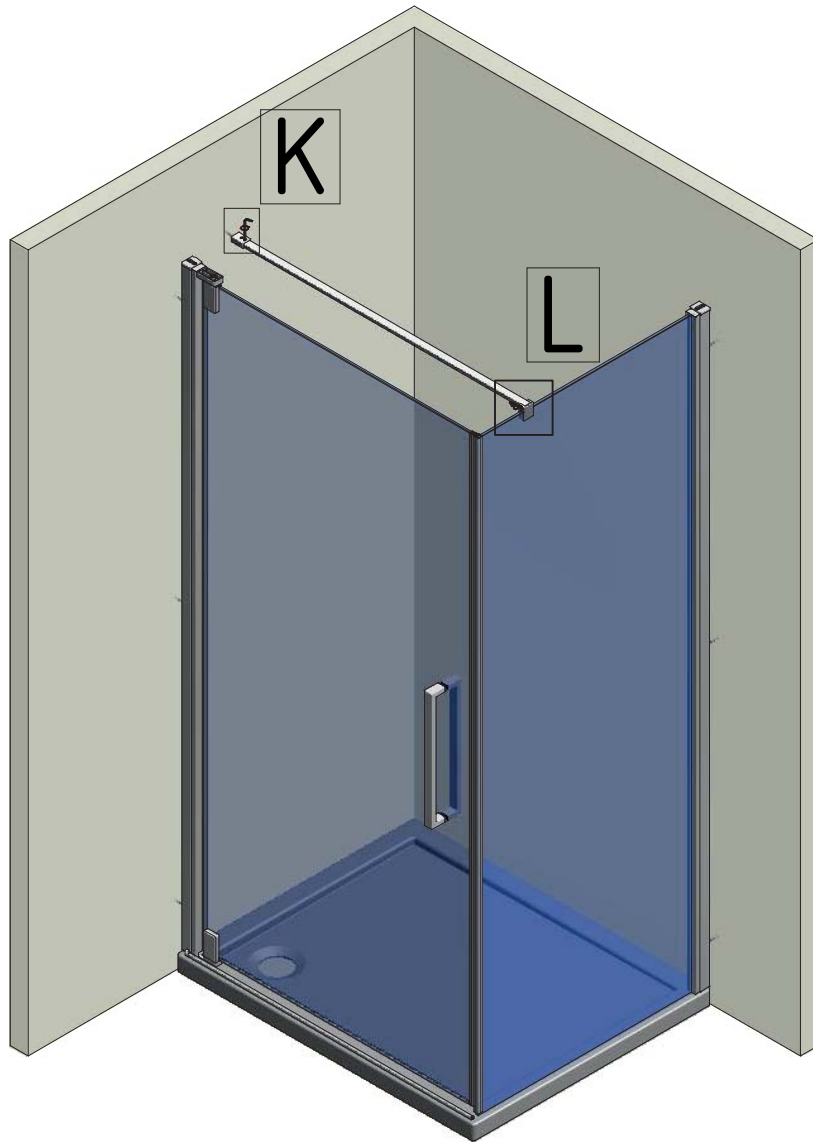


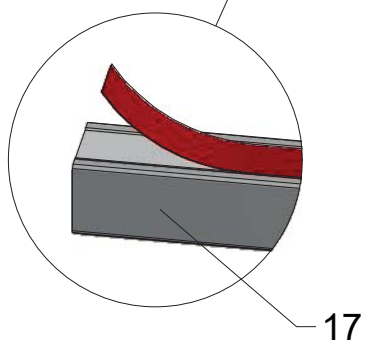
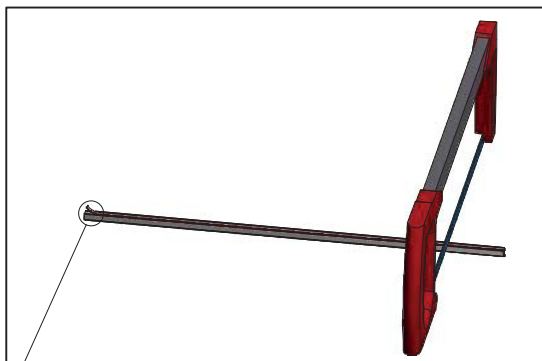
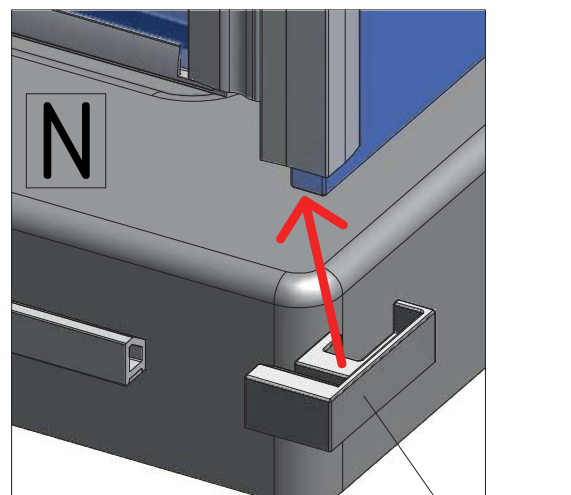
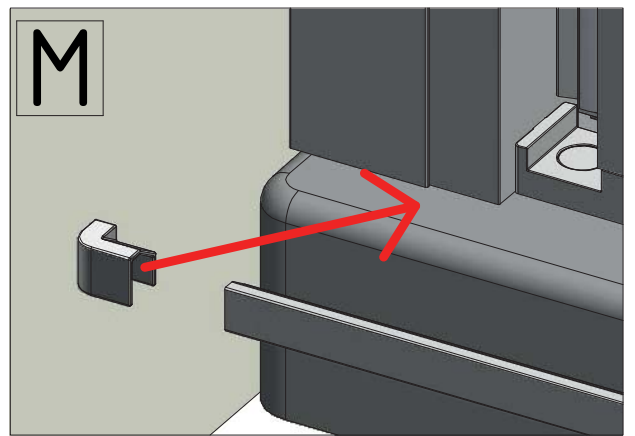
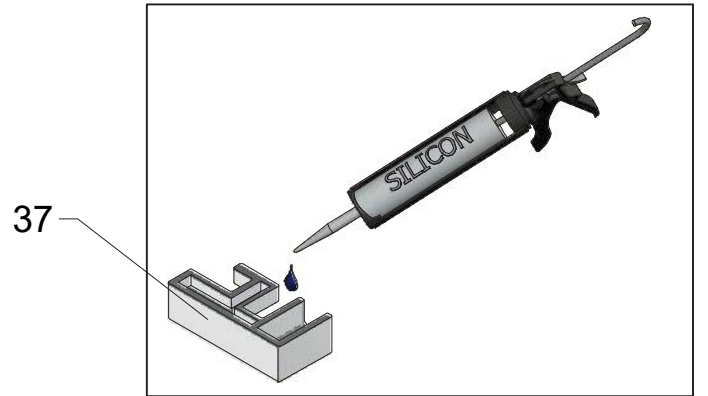
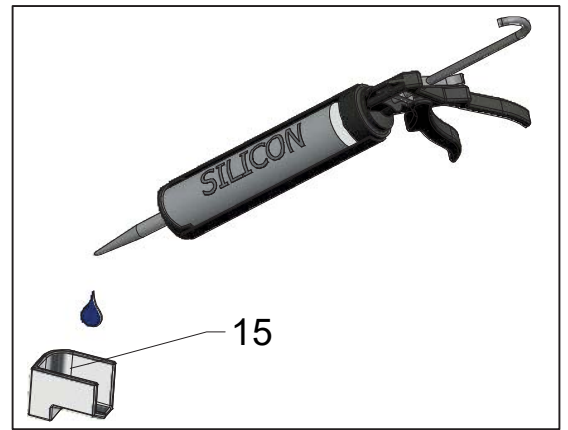


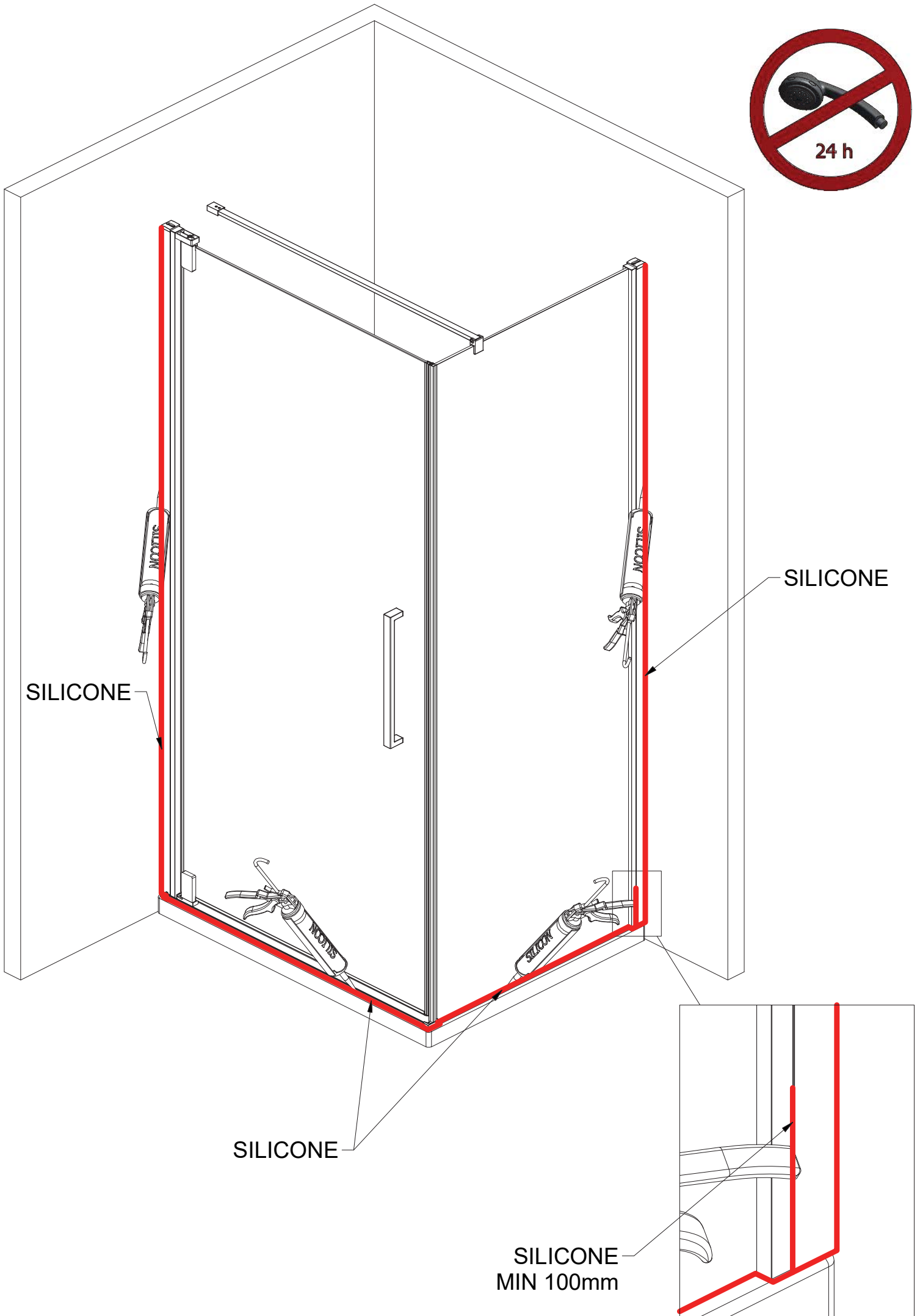


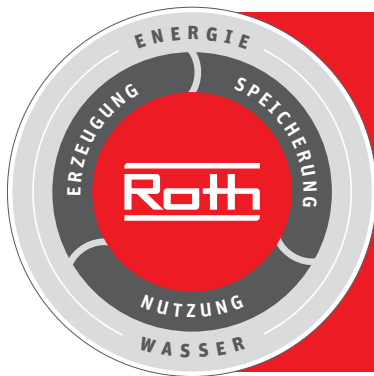












Roth Energy and Sanitary Systems

Generation

- > Solar systems
- > Heat pump systems
- > Solar heat pump systems

Storage

- Storage systems for
- > Domestic & heating water
 - > Combustibles and biofuels
 - > Rainwater and waste water

Application

- > Radiant heating and cooling systems
- > Pipe installation systems
- > Shower systems



■ Deutschland

ROTH WERKE GMBH
Am Seerain 2
35232 Dautphetal
Telefon: 06466/922-0
Telefax: 06466/922-100
E-Mail: service@roth-werke.de
www.roth-werke.de

■ Czech Republic

Roth Czech s.r.o.
Třebořov 160
569 33 Třebořov
Tel.: +420 461 324 301
Fax.: +420 461 324 297
E-Mail: objednavky@roth-czech.cz
www.roth-czech.cz