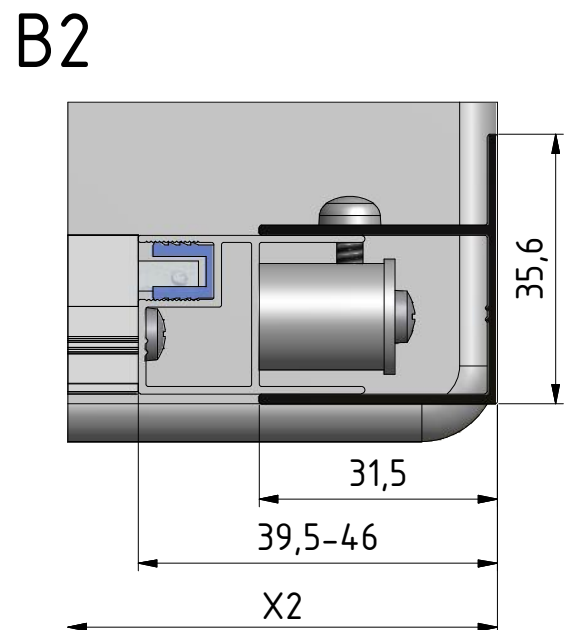
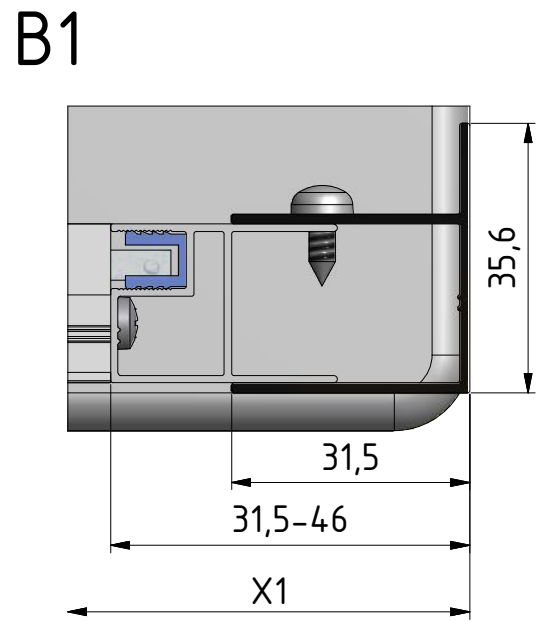
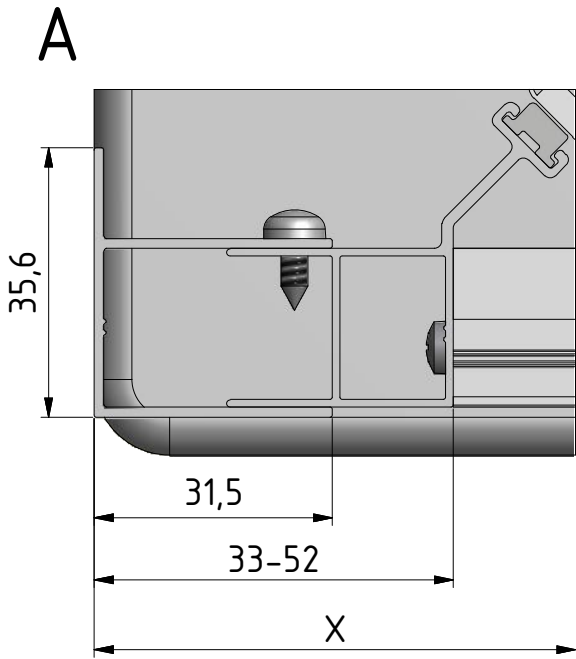
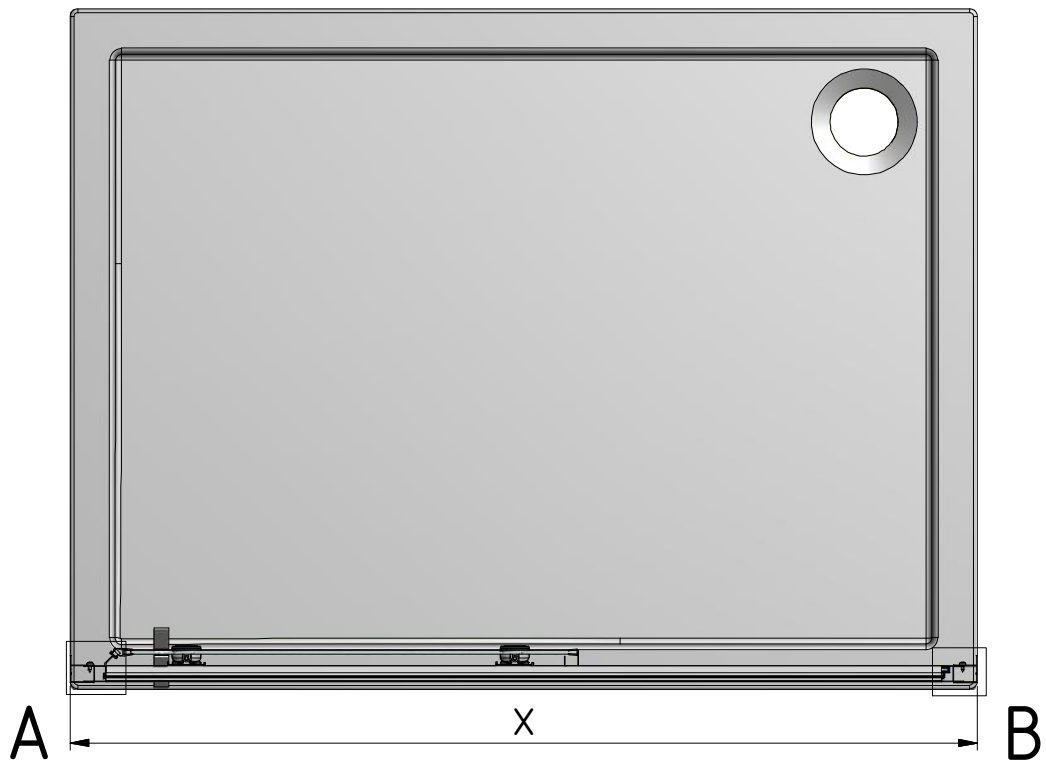


LLD2





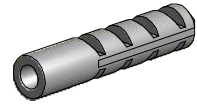
	X1	X2
1000	970-1005	978-1005
1100	1070-1105	1078-1105
1200	1170-1205	1178-1205
1300	1270-1305	1278-1305
1400	1370-1405	1378-1405
1600	1570-1605	1578-1605



2. 1x (P3081) 3. 1x (P3101)



4. 6x (M0511)



5. 3x (M0795)

Ø3,5x38



6. 3x (M0790)

Ø3,5x19



7. 6x (M0806)

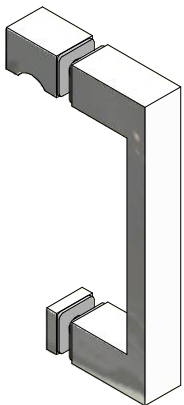
Ø3,5x9,5



8. 12x (MA0511)



9. 1x
(MA2331)

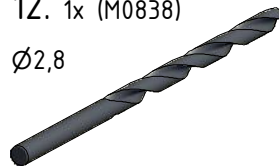


10. 1x+1x
(P3200;P3201)



12. 1x (M0838)

Ø2,8



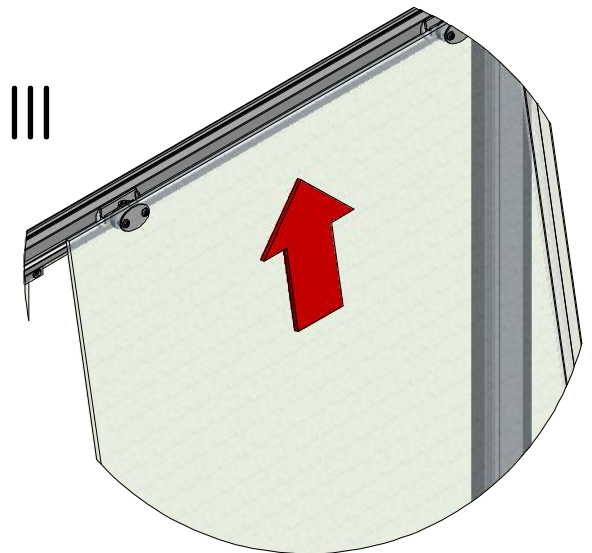
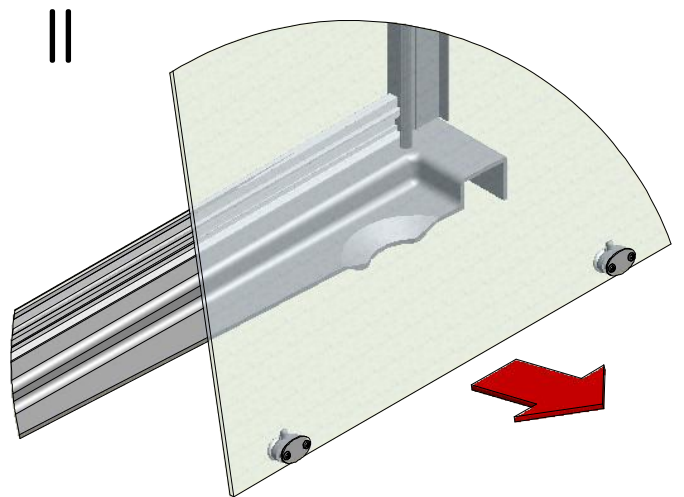
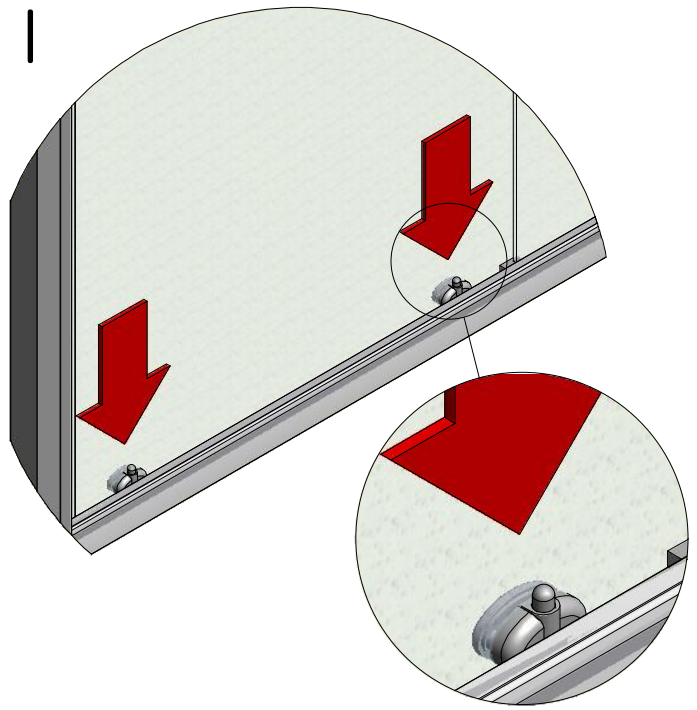
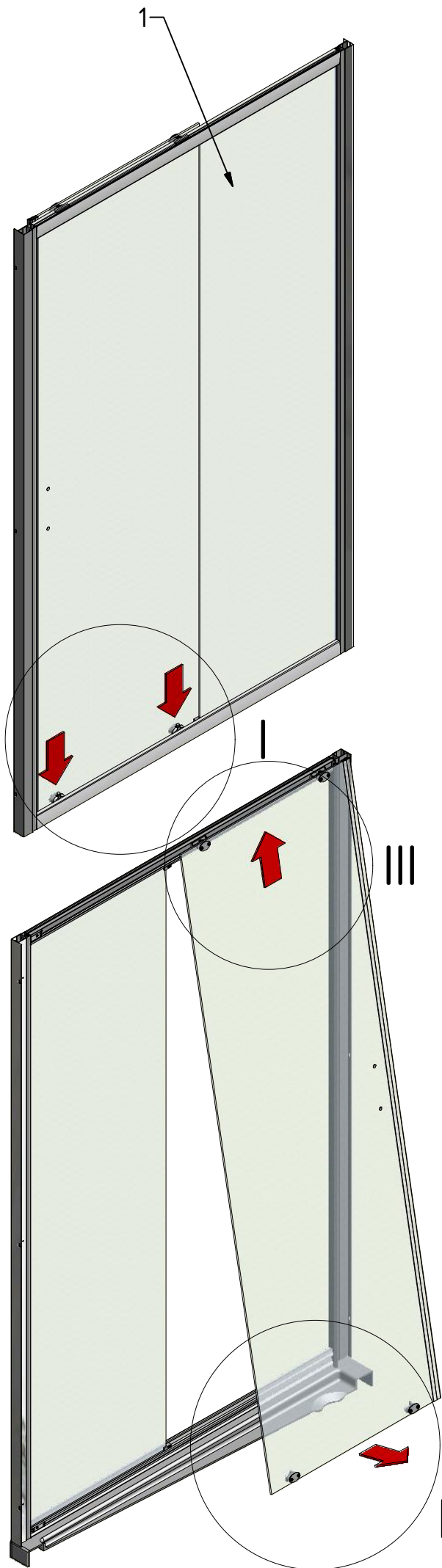
14. 4x
(MA3119)

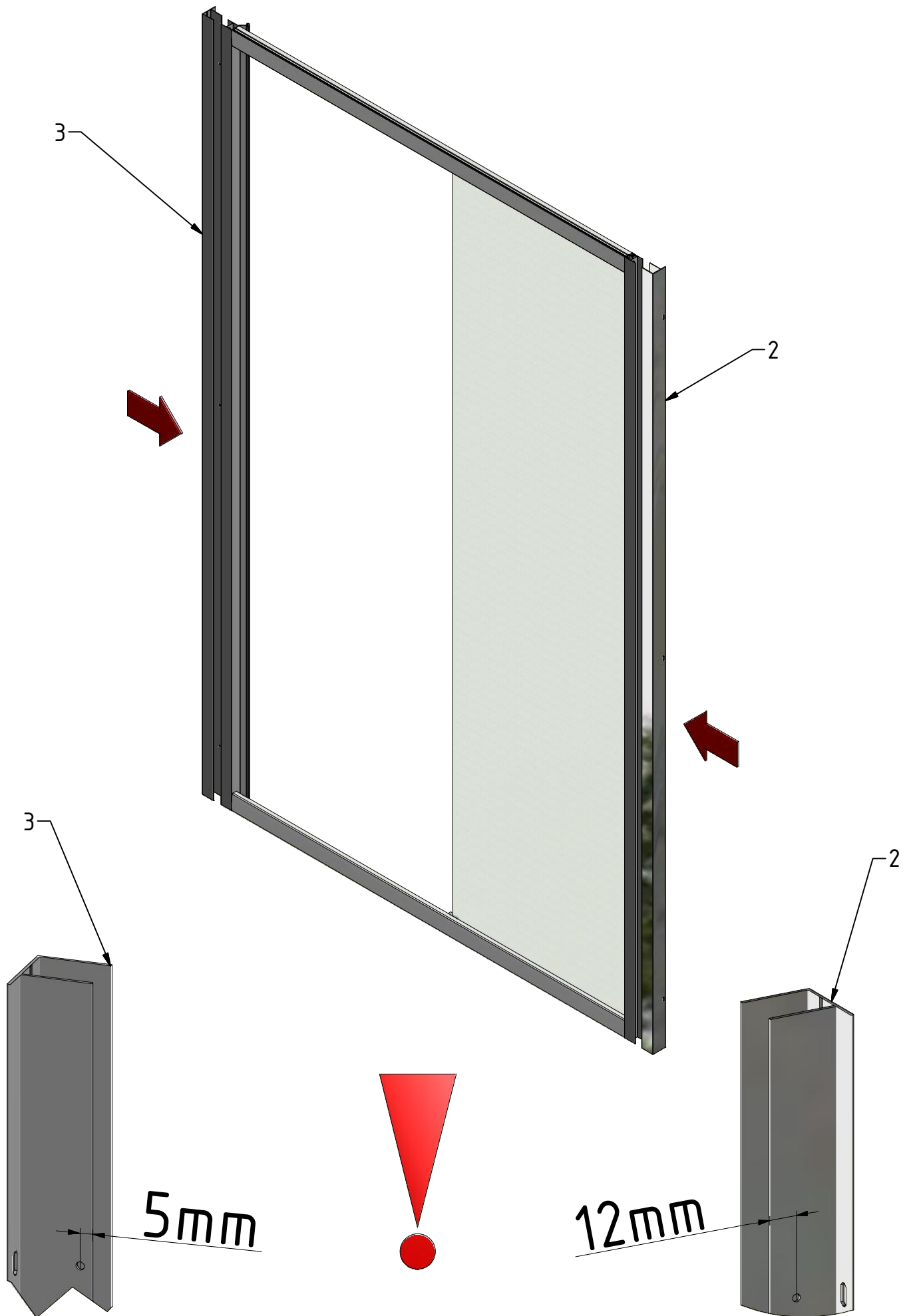


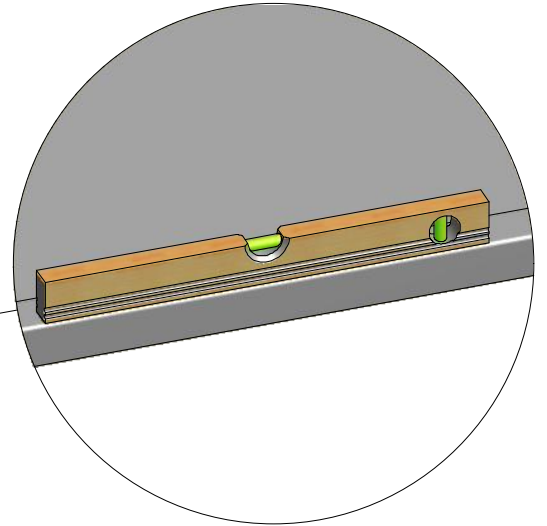
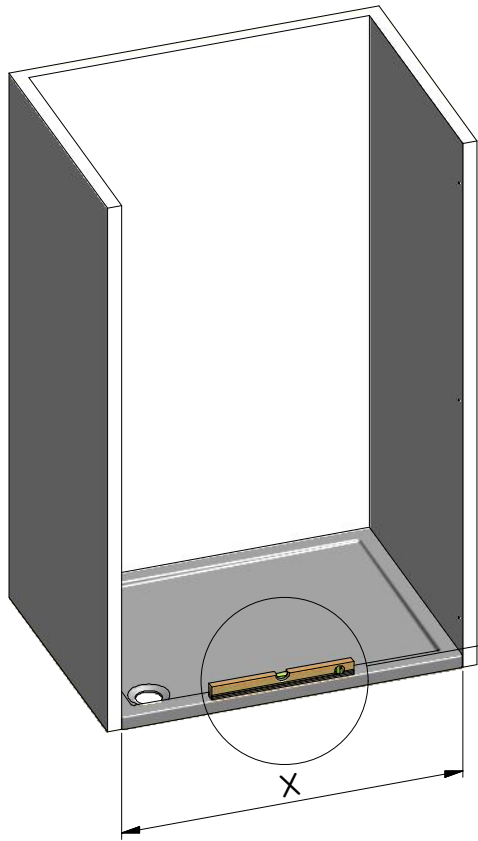
13. 1x

(M0341)

Logo ROLTECHNIK

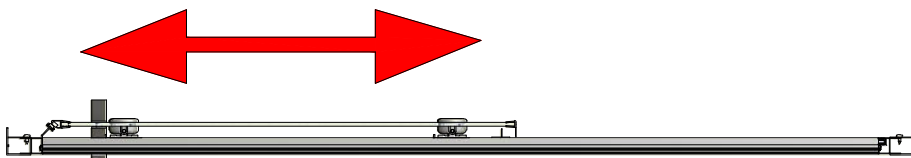
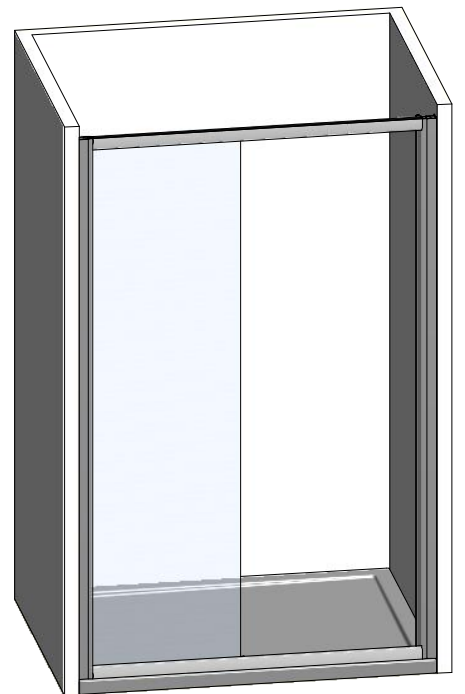
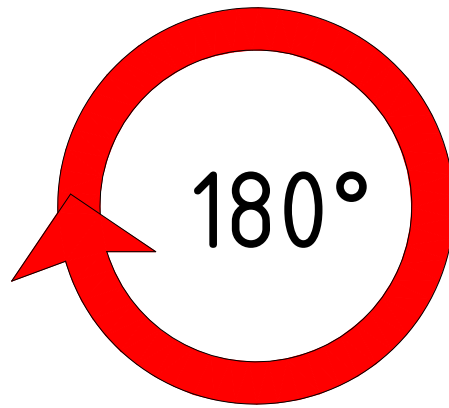
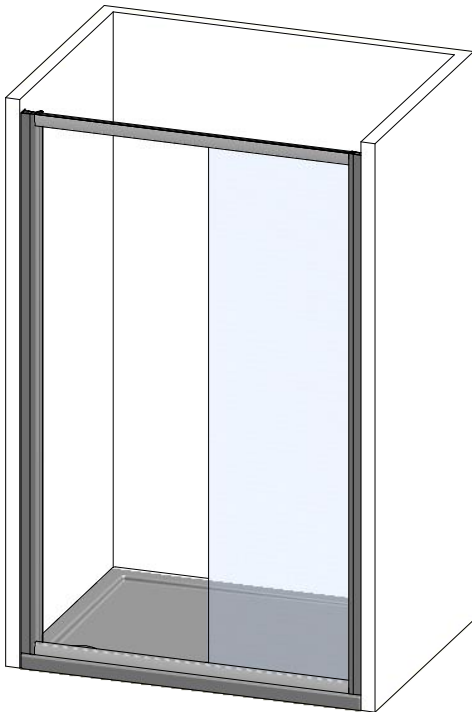


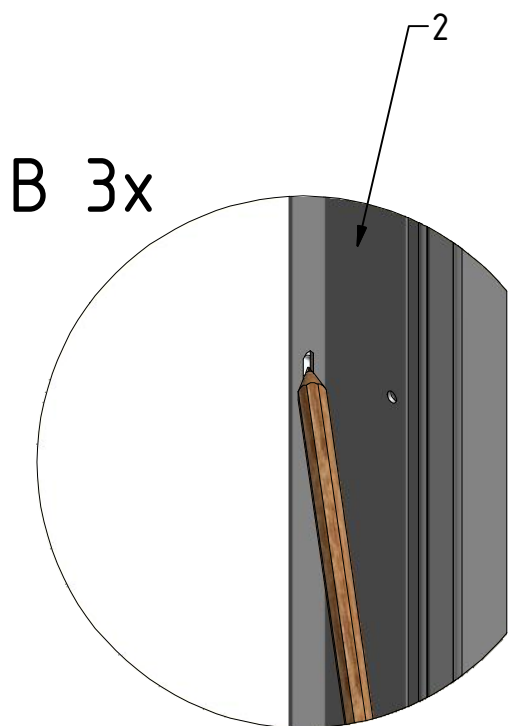
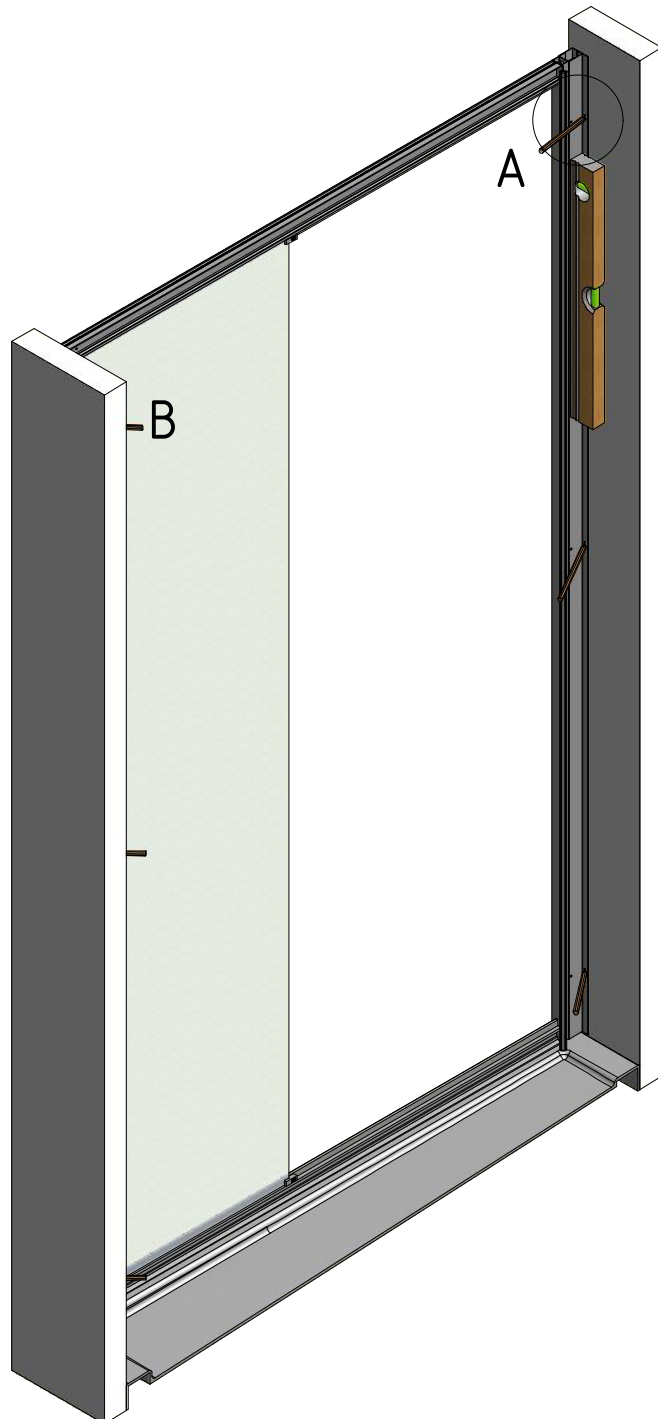
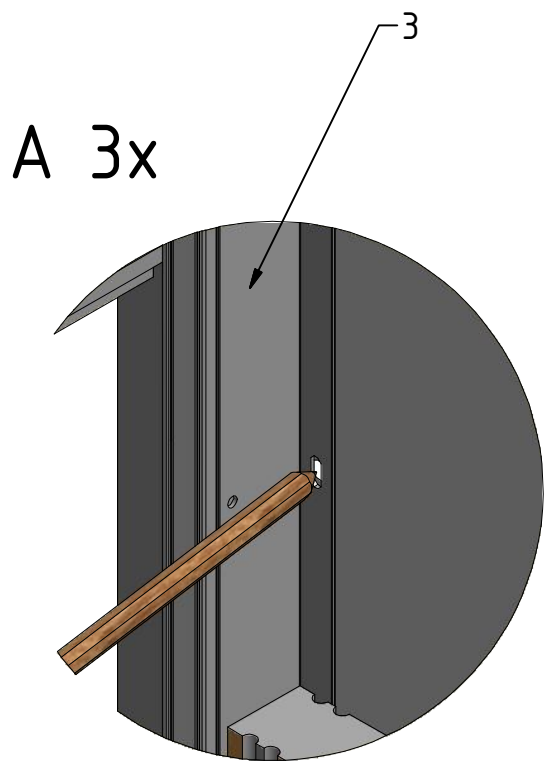


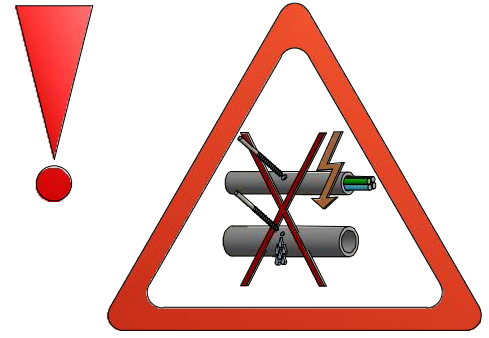
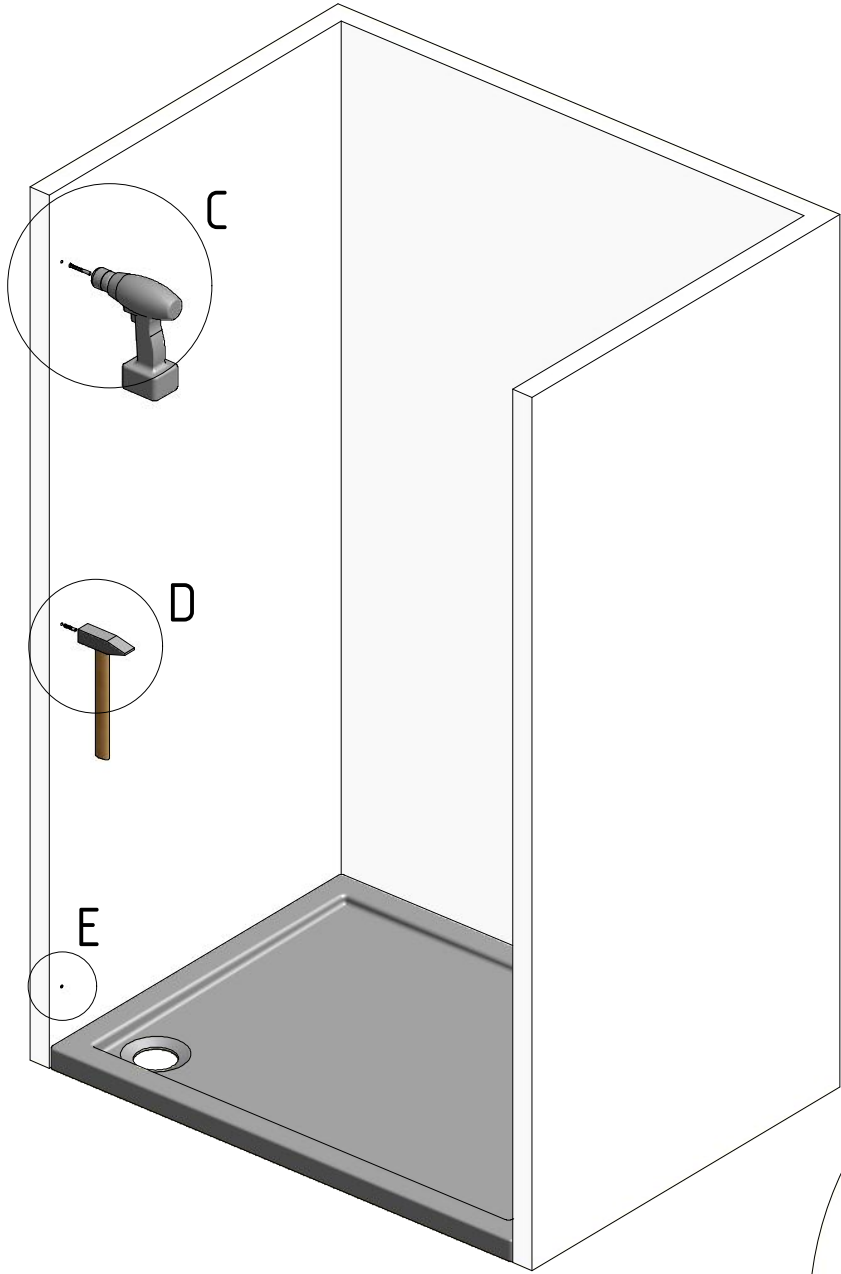


RIGHT

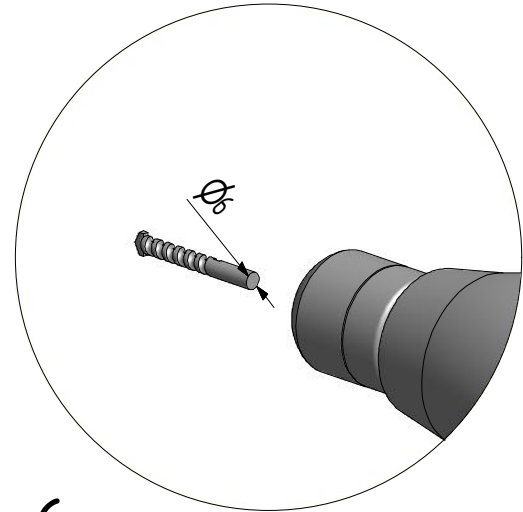
LEFT



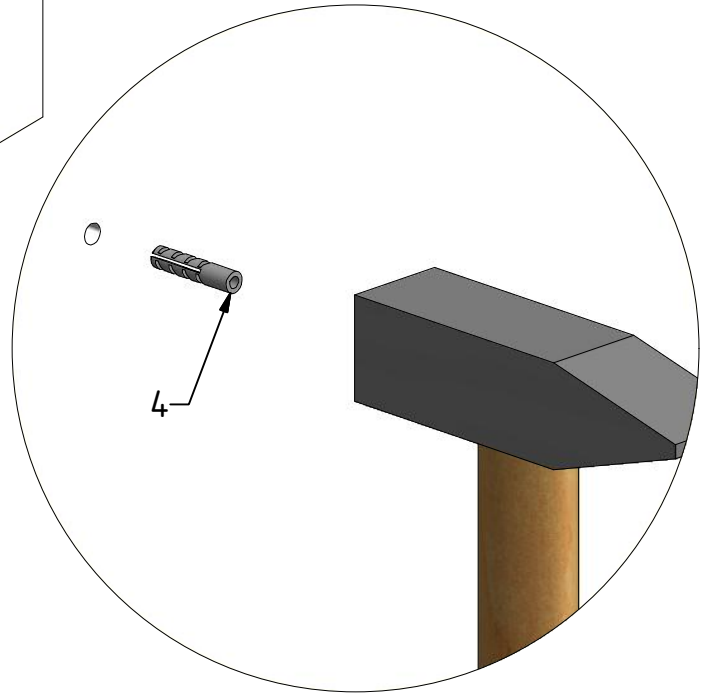




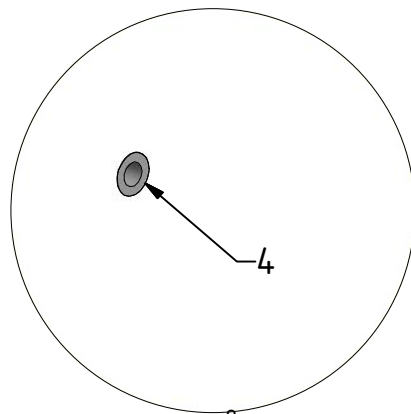
C 6x



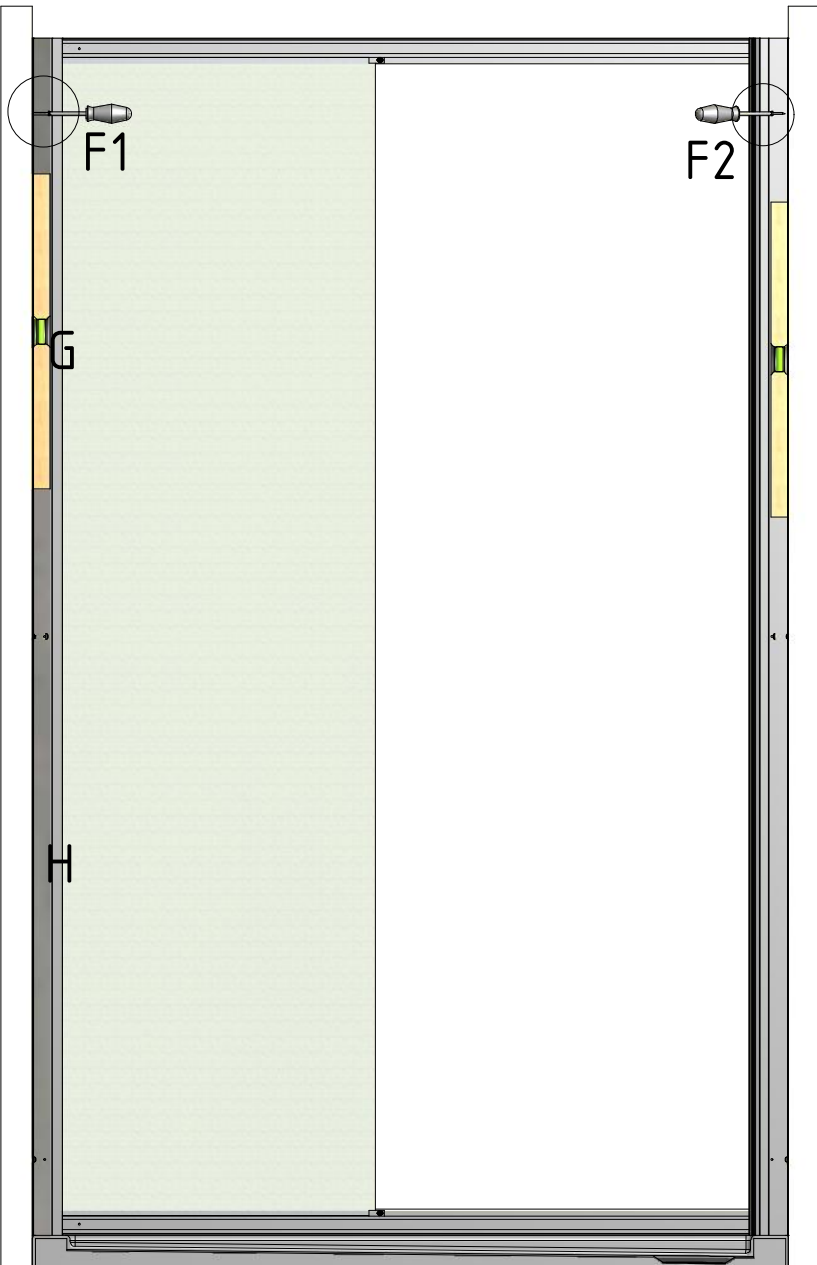
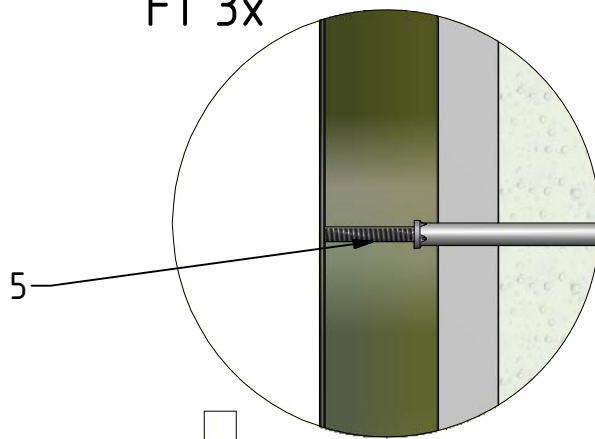
D 6x



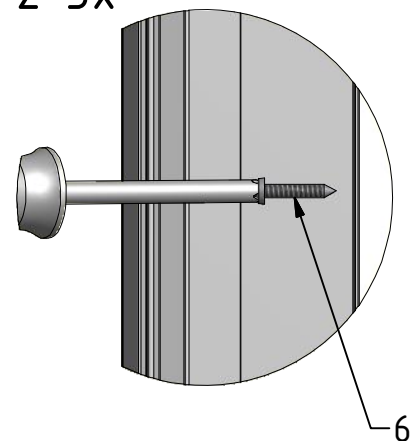
E 6x



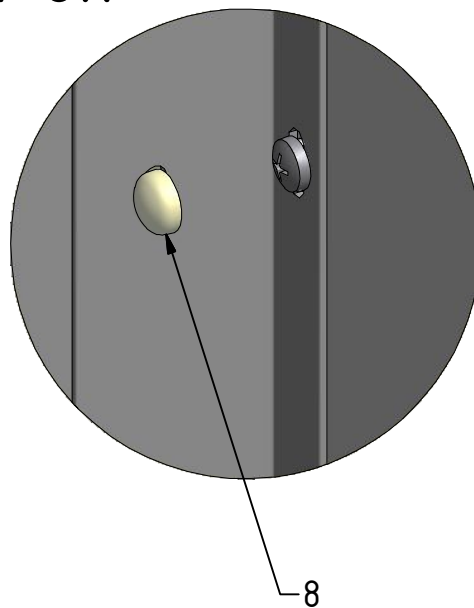
F1 3x



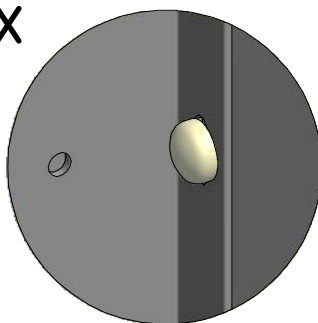
F2 3x

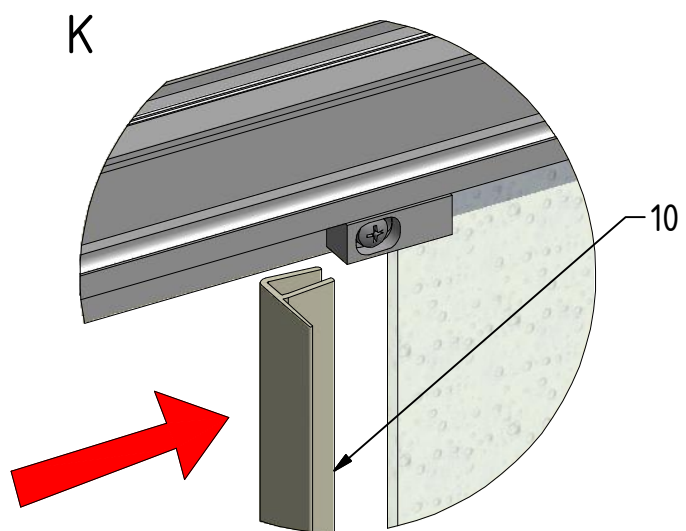
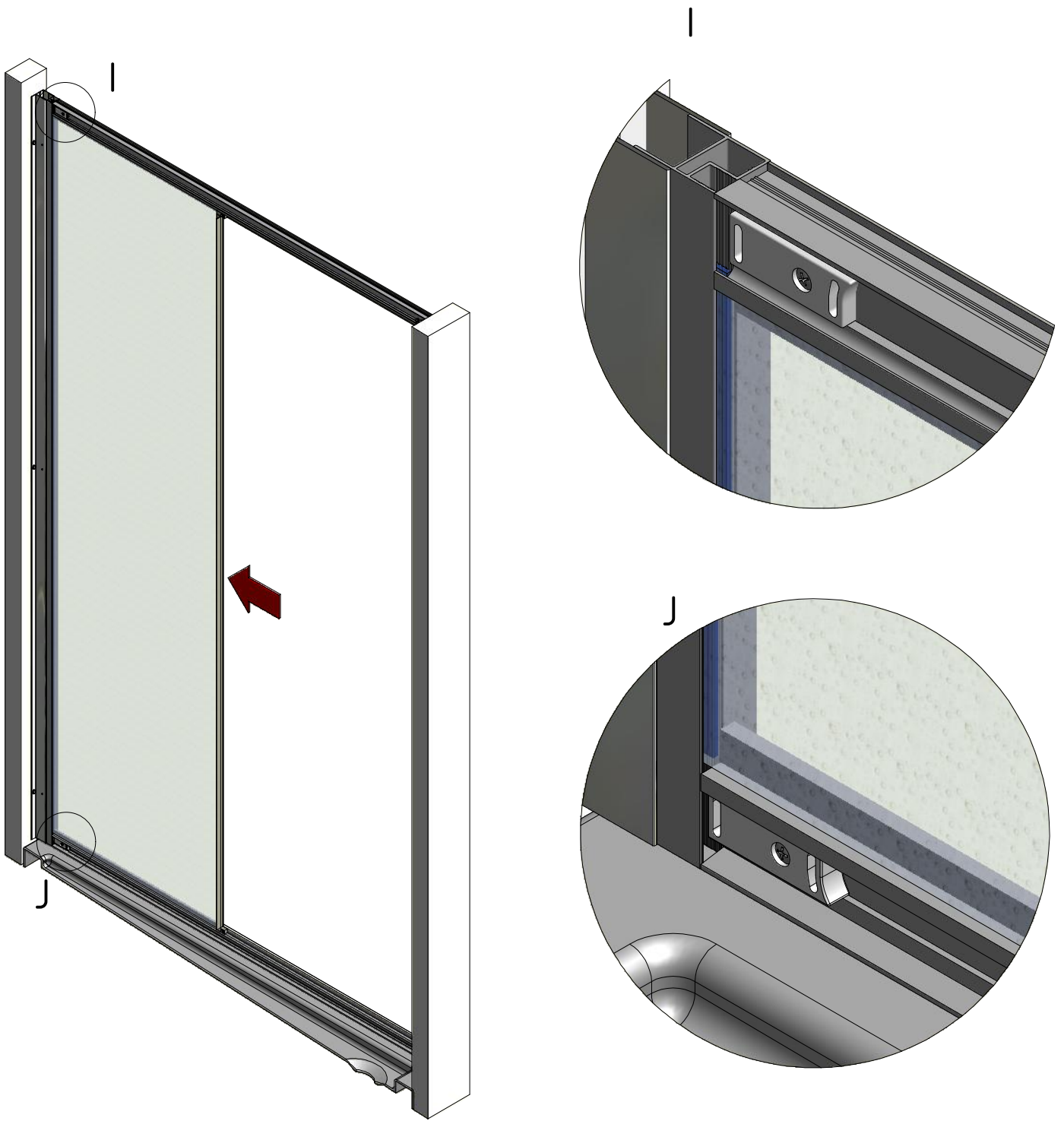


G 6x

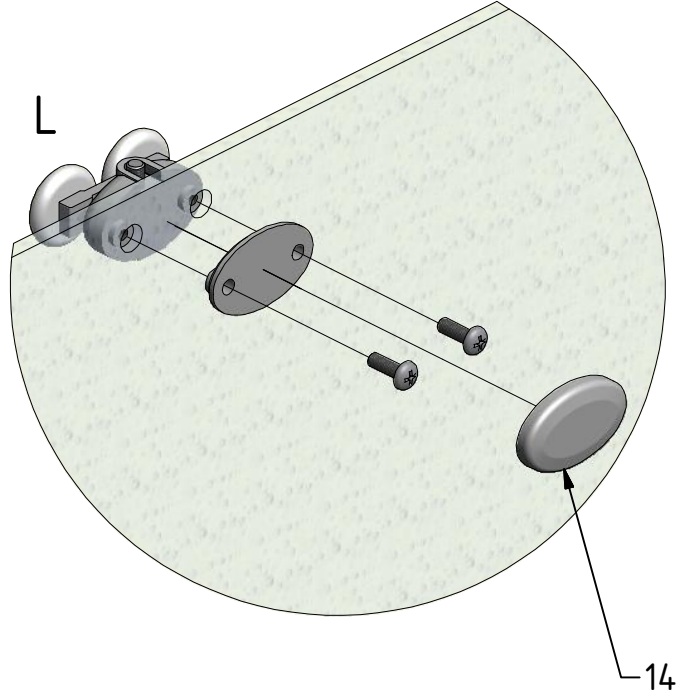
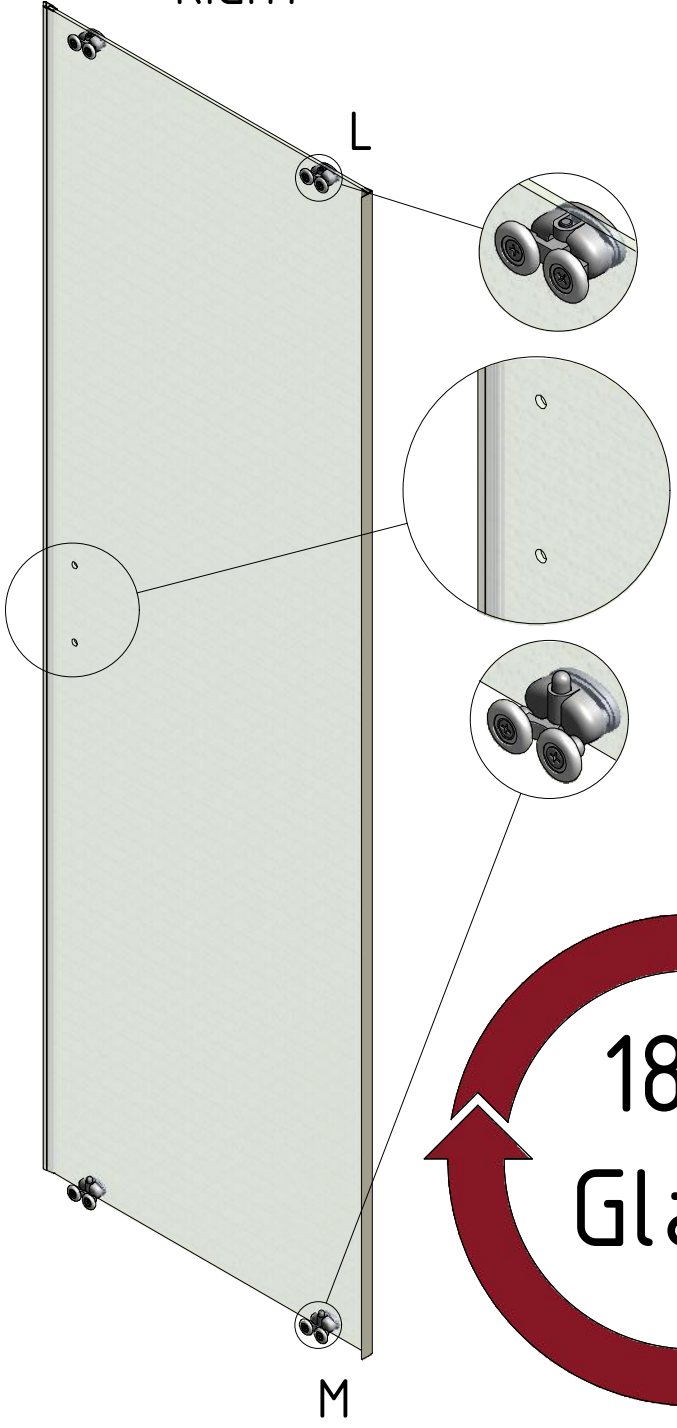


H 6x

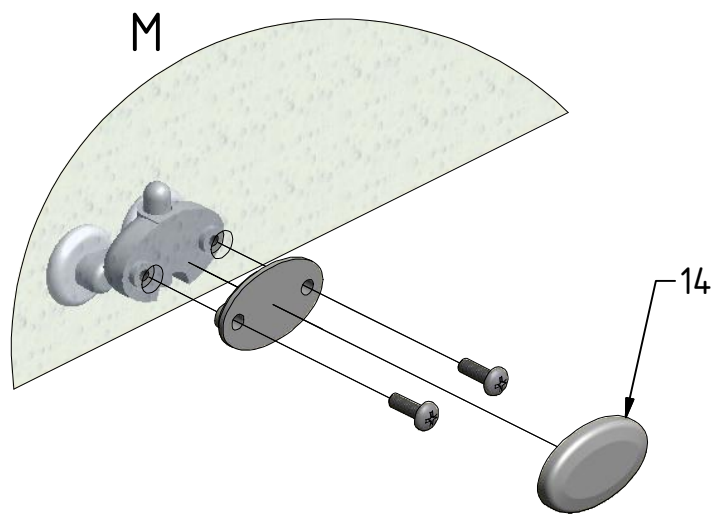
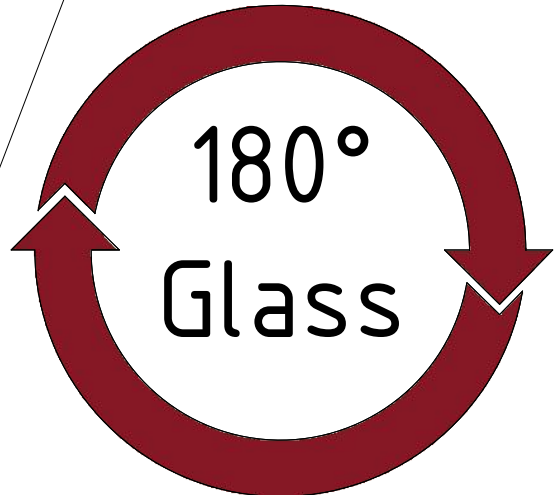
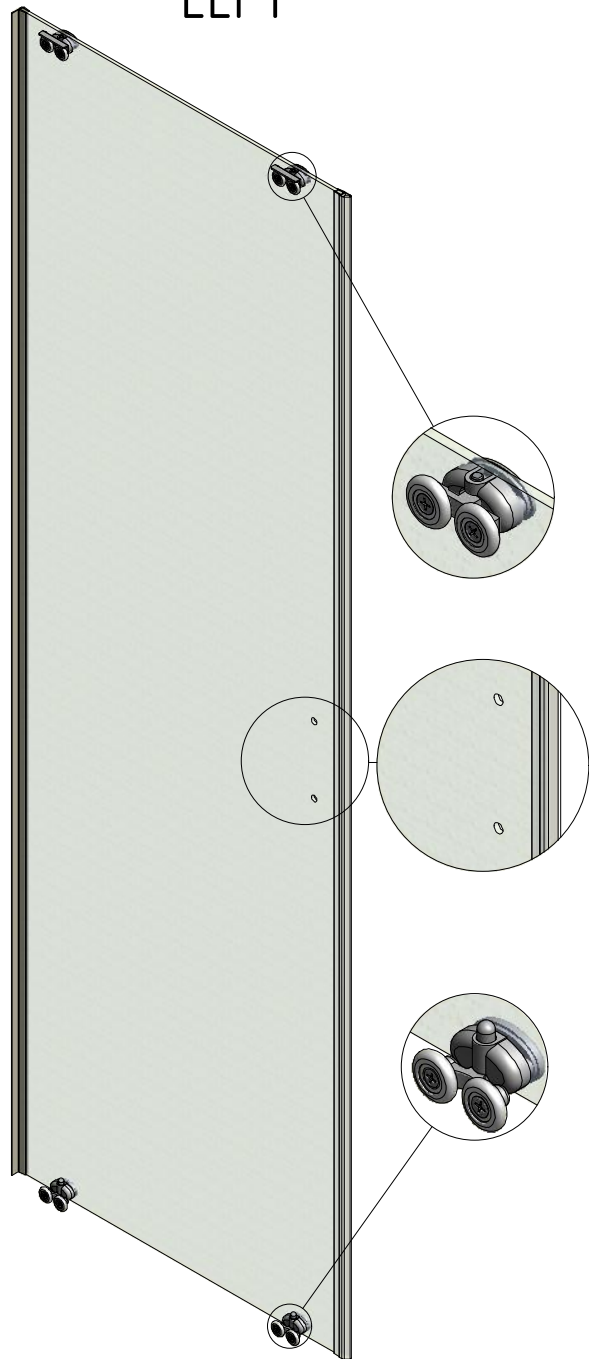


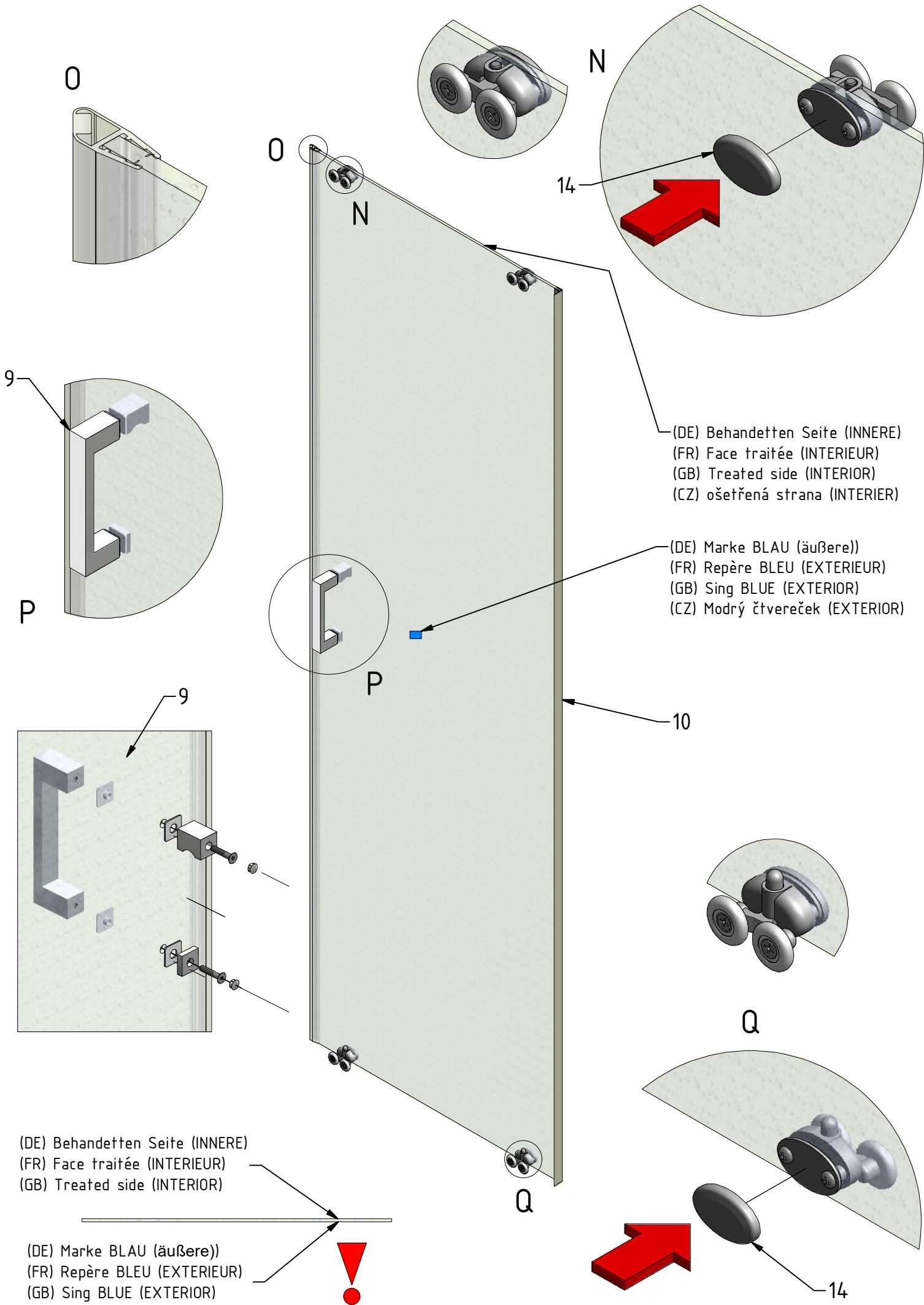


RIGHT

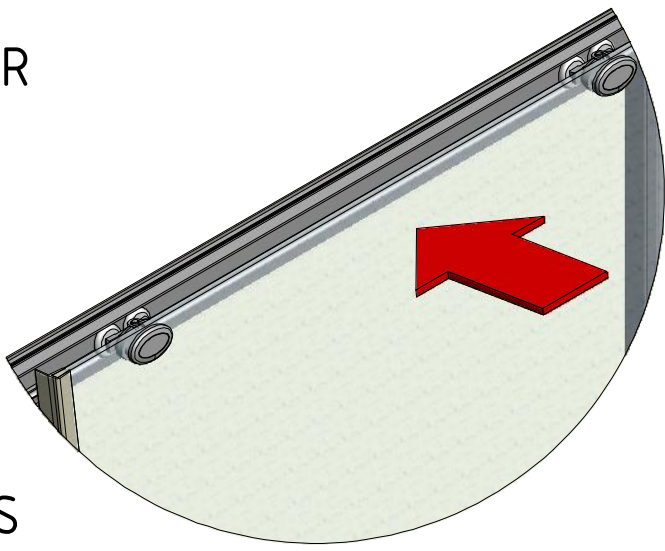


LEFT

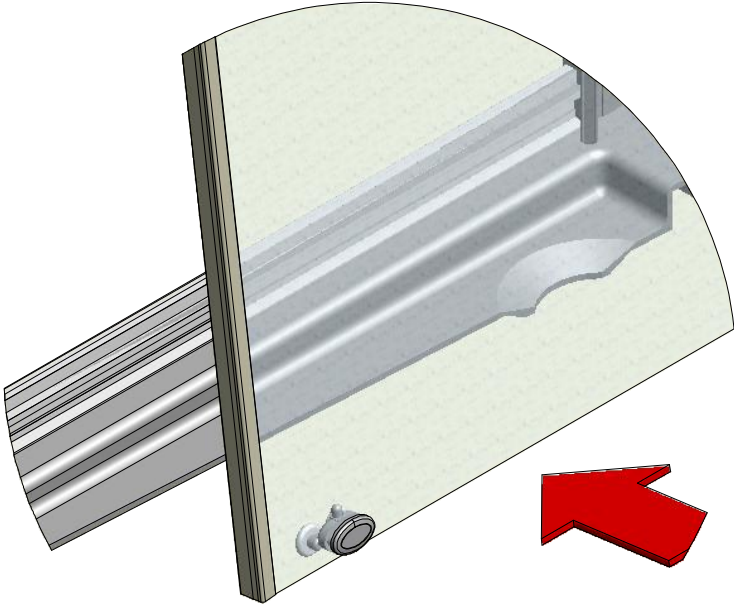




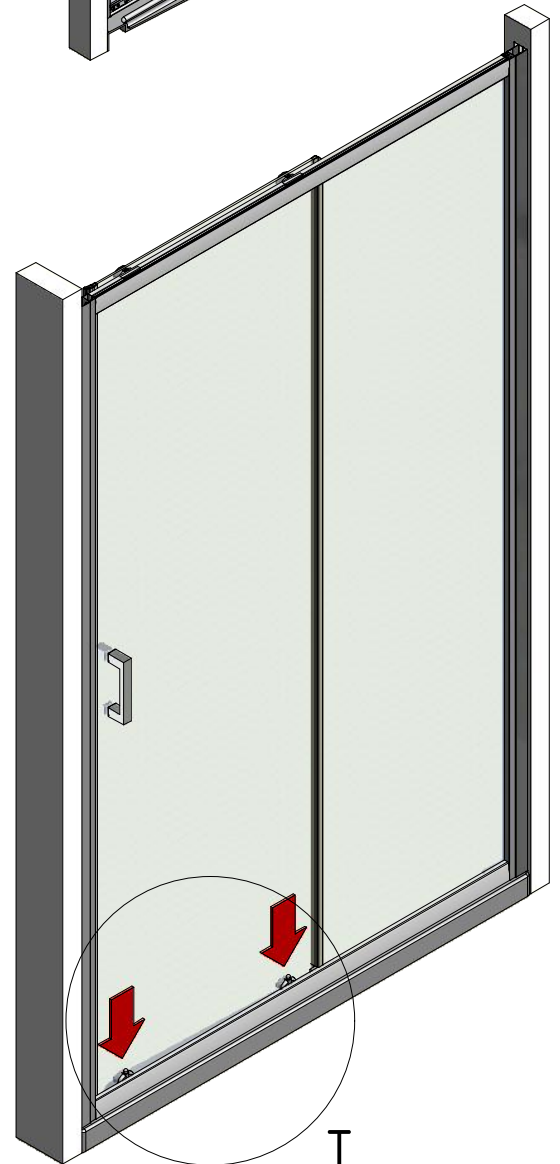
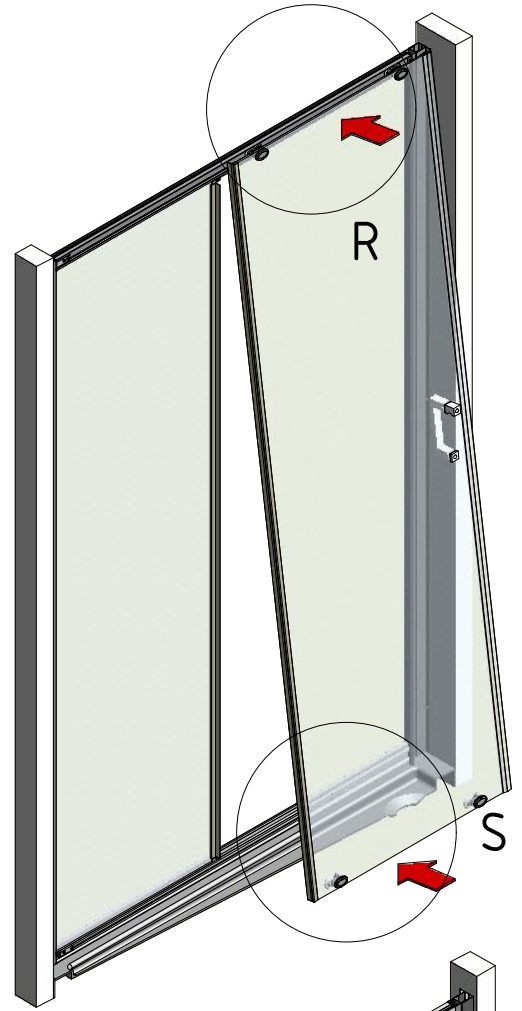
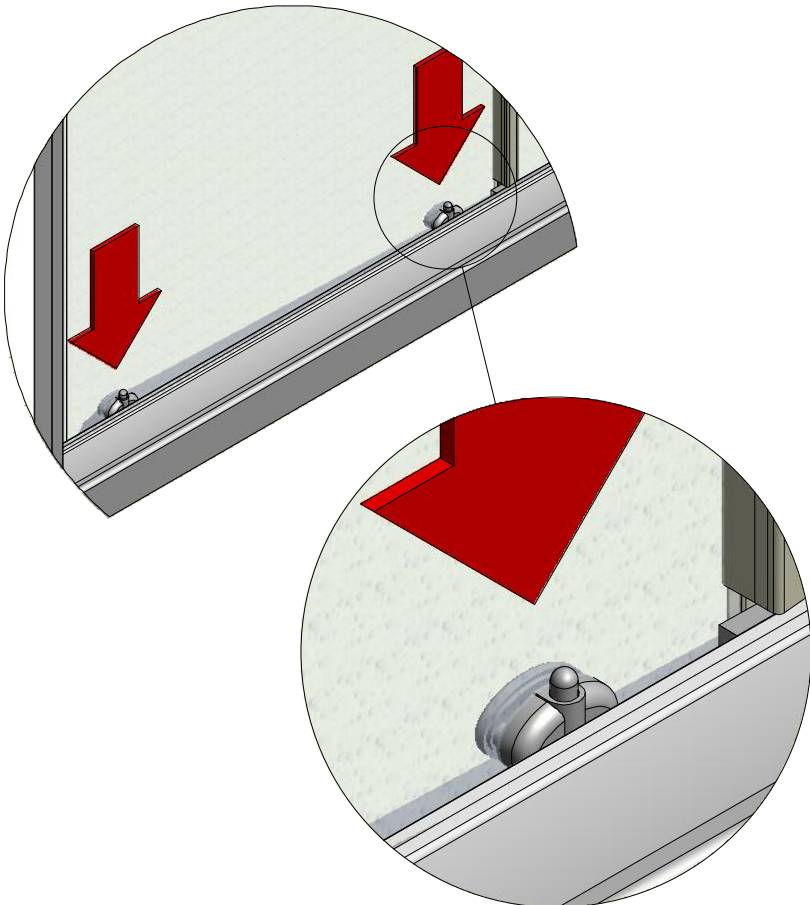
R

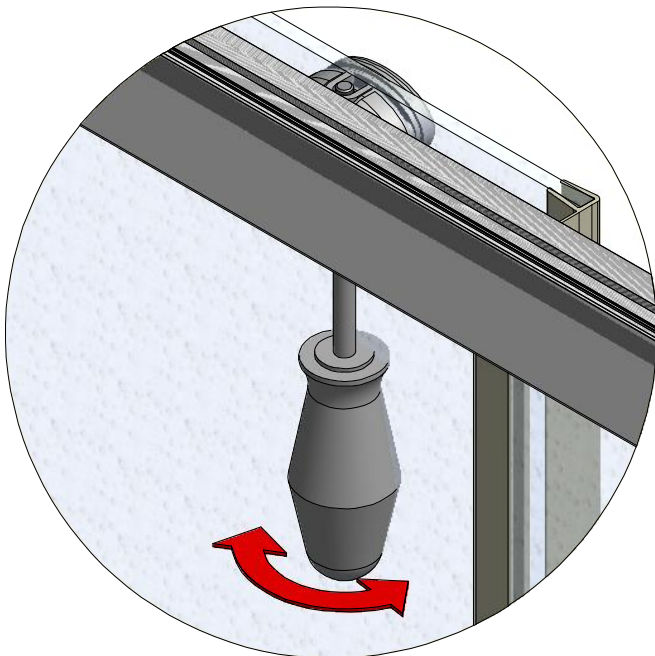
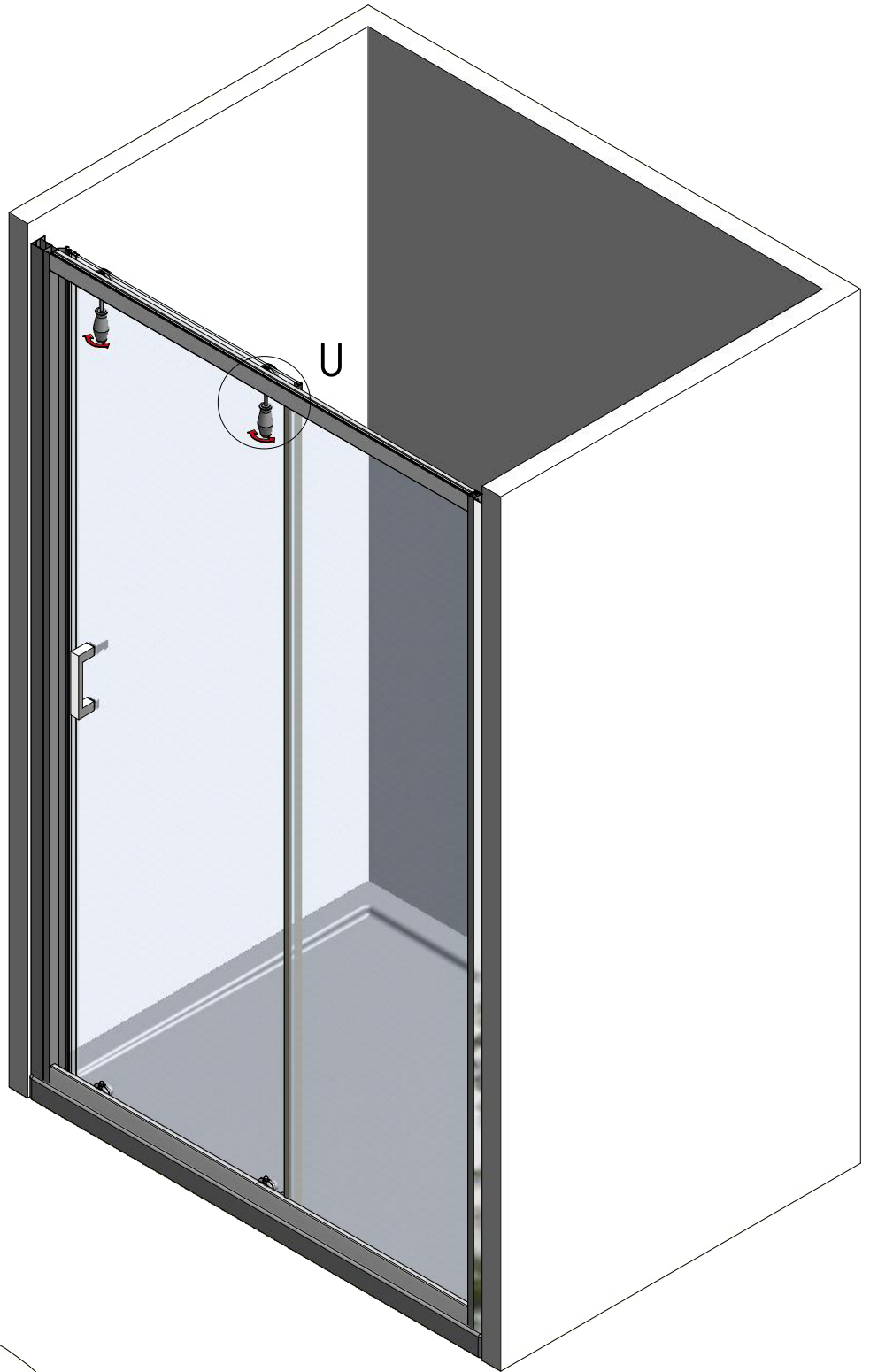
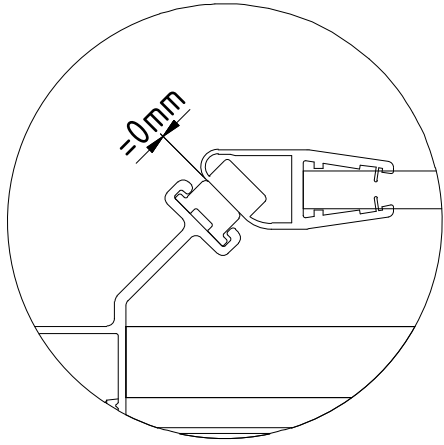


S

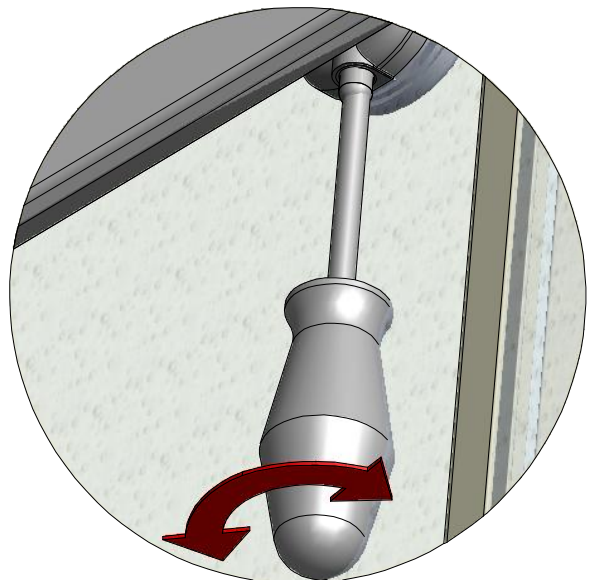


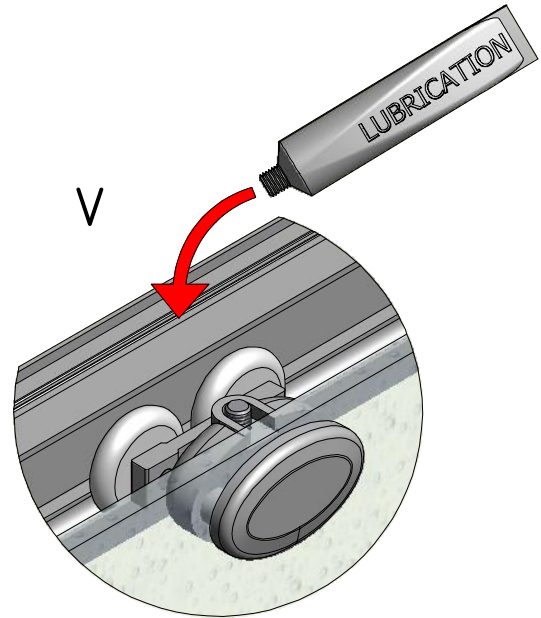
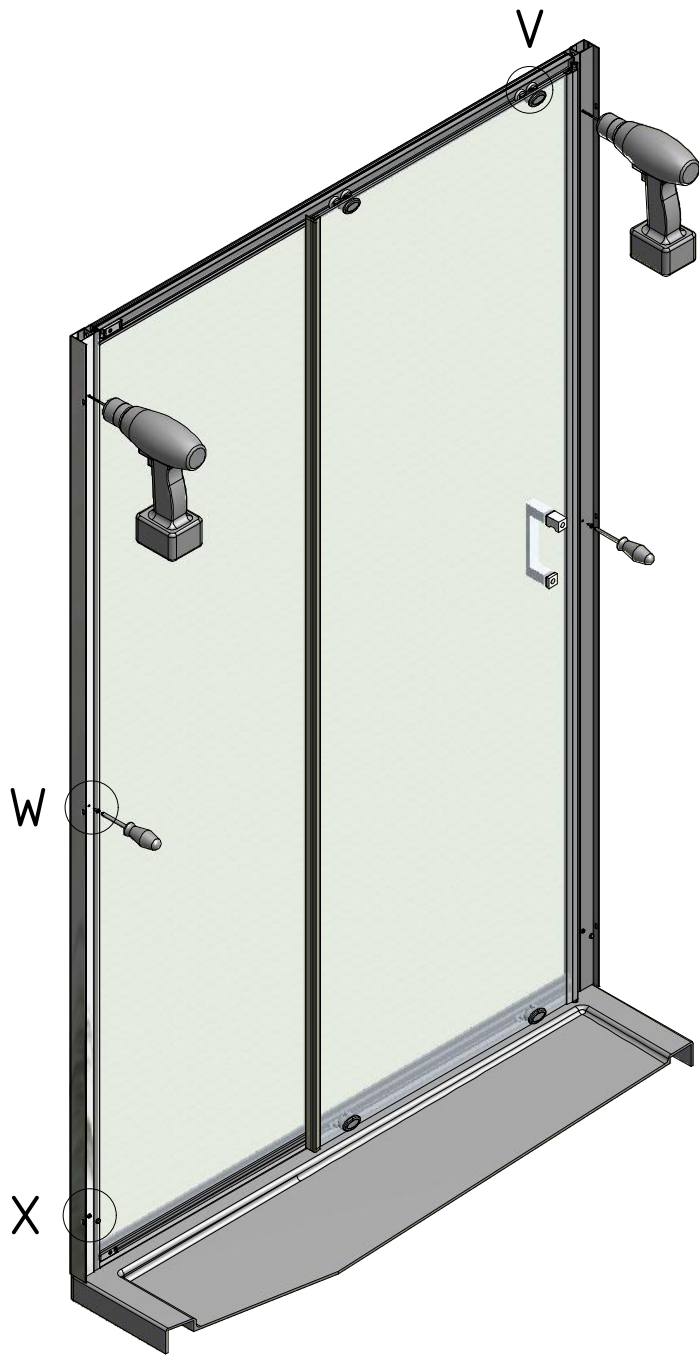
T



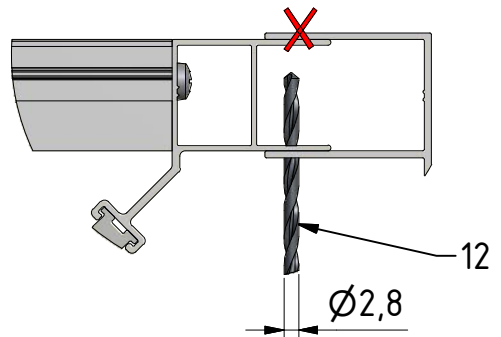


U

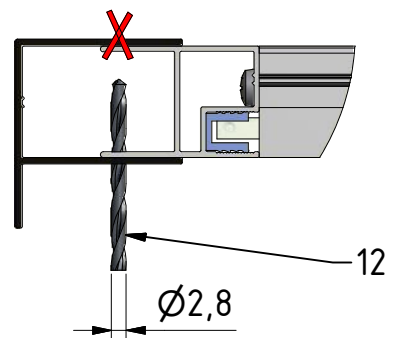




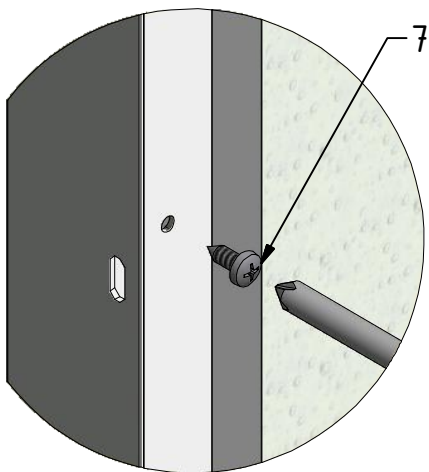
3x



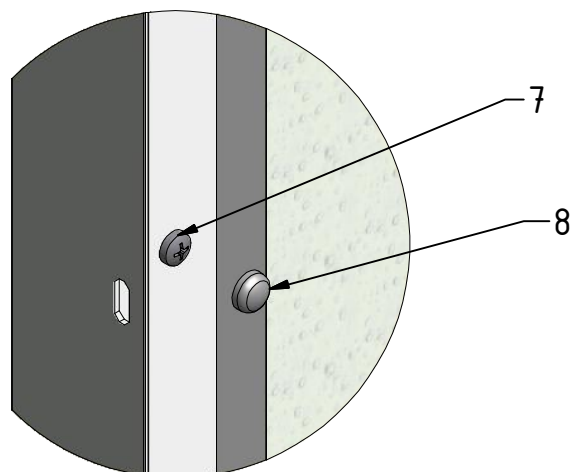
3x

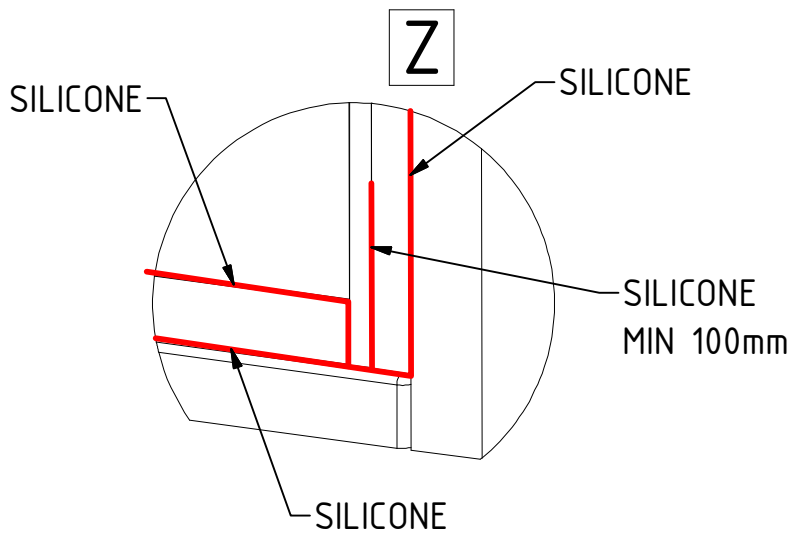
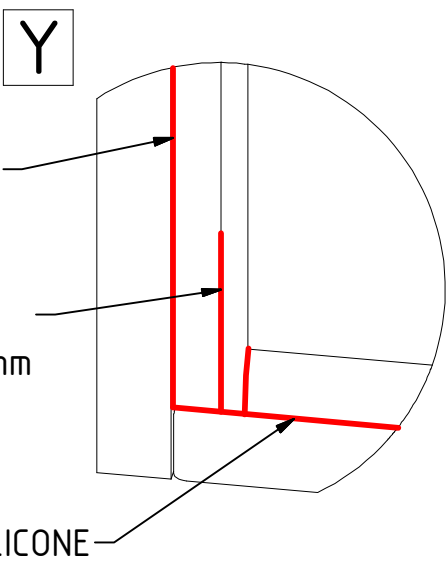
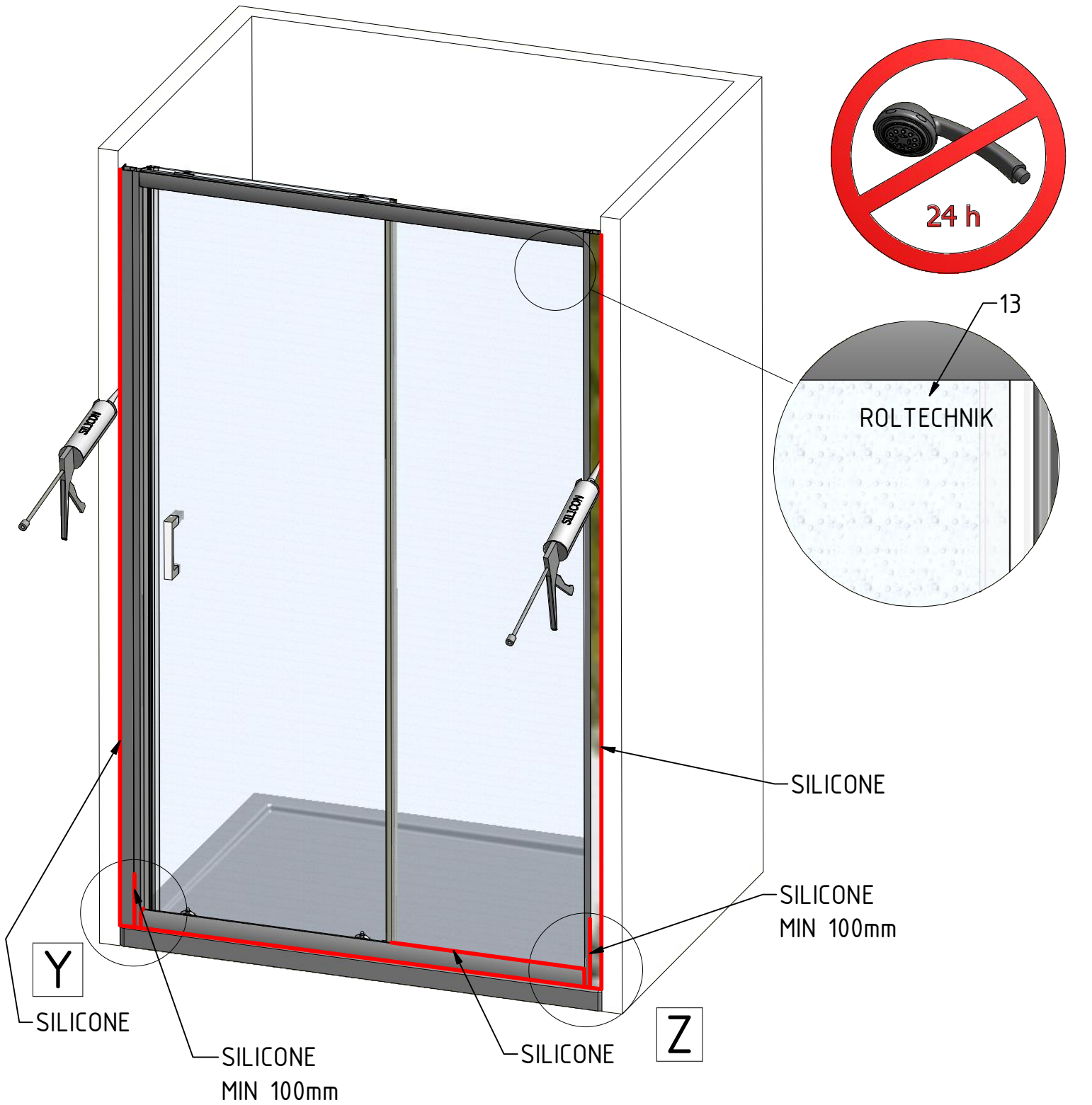


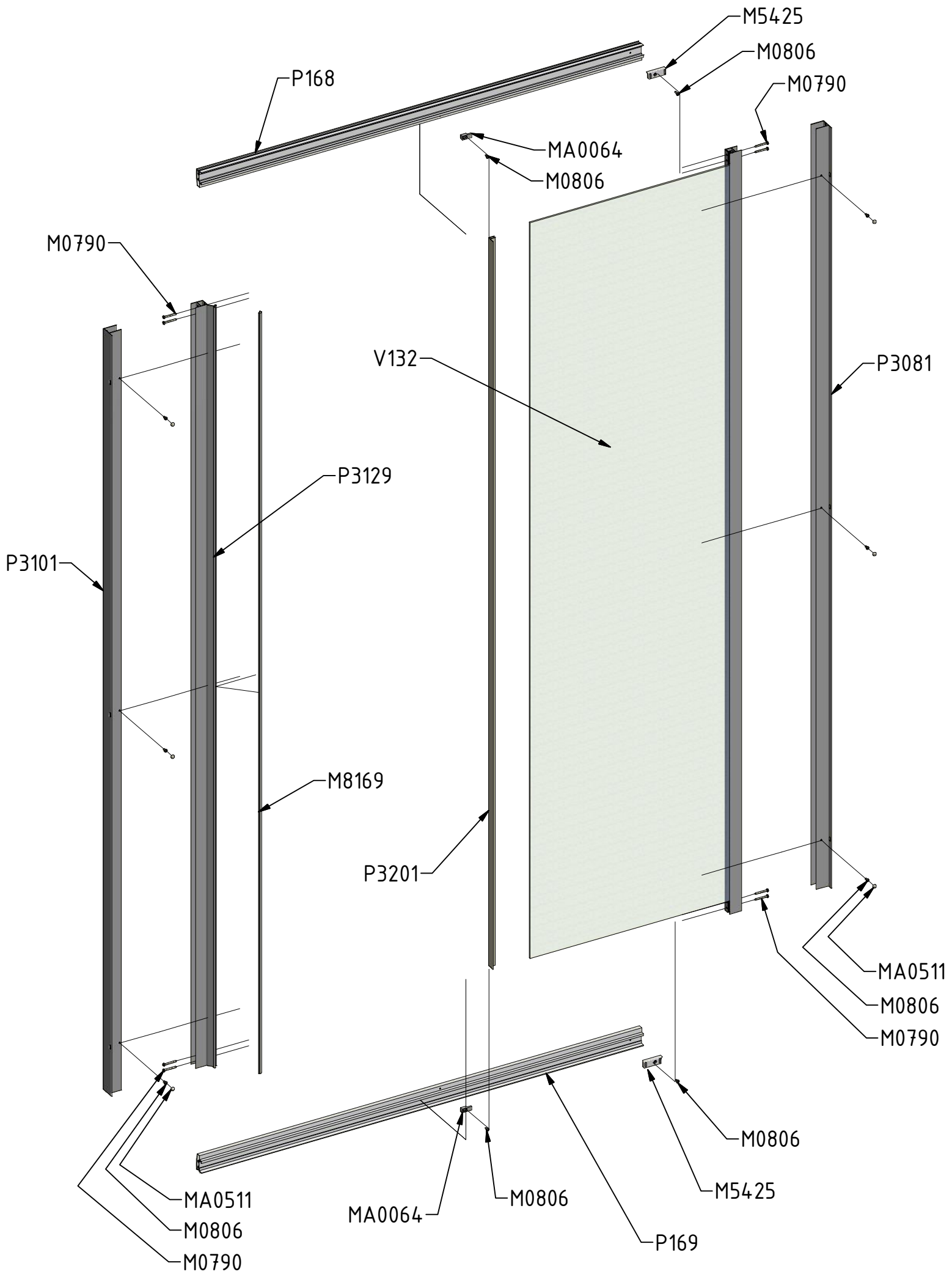
W

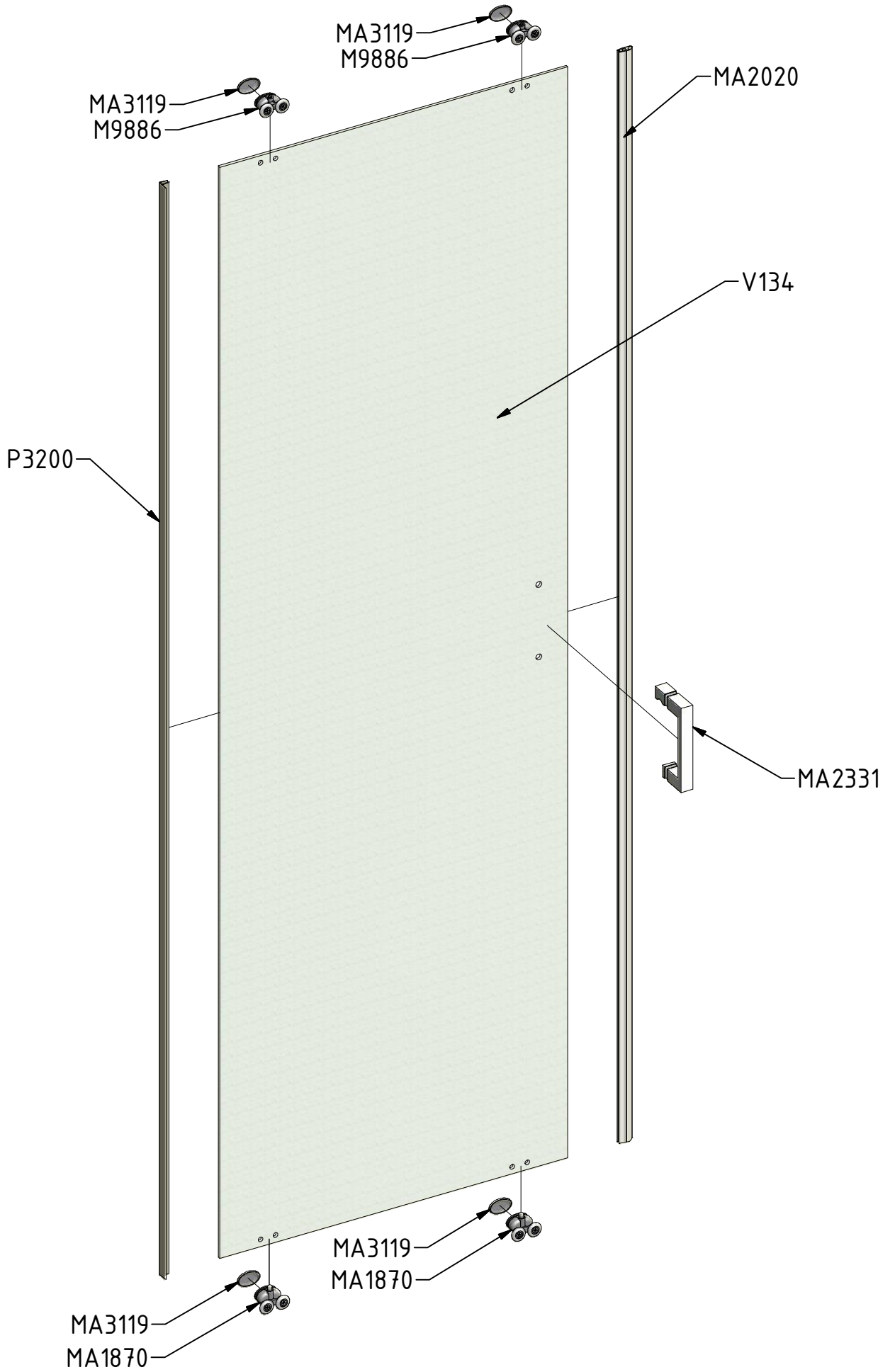


X









V132	1000	brillant+clear glass	ND03-0530-00-02
		brillant+intima	ND03-0530-00-21
	1200	brillant+clear glass	ND03-0531-00-02
		brillant+intima	ND03-0531-00-21
	1300	brillant+clear glass	ND03-0649-00-02
	1400	brillant+clear glass	ND03-0532-00-02
		brillant+intima	ND03-0532-00-21
	1600	brillant+clear glass	ND03-0533-00-02
		brillant+intima	ND03-0533-00-21

V134	1000	clear glass	ND02-0665-02
		intima	ND02-0665-21
	1200	clear glass	ND02-0666-02
		intima	ND02-0666-21
	1300	clear glass	ND02-0729-02
	1400	clear glass	ND02-0667-02
		intima	ND02-0667-21
	1600	clear glass	ND02-0668-02
		intima	ND02-0668-21

P168	1000	brillant	P3333
	1200		P3335
	1300		P4174
	1400		P3337
	1600		P3339

P169	1000	brillant	P3334
	1200		P3336
	1300		P4175
	1400		P3338
	1600		P3340