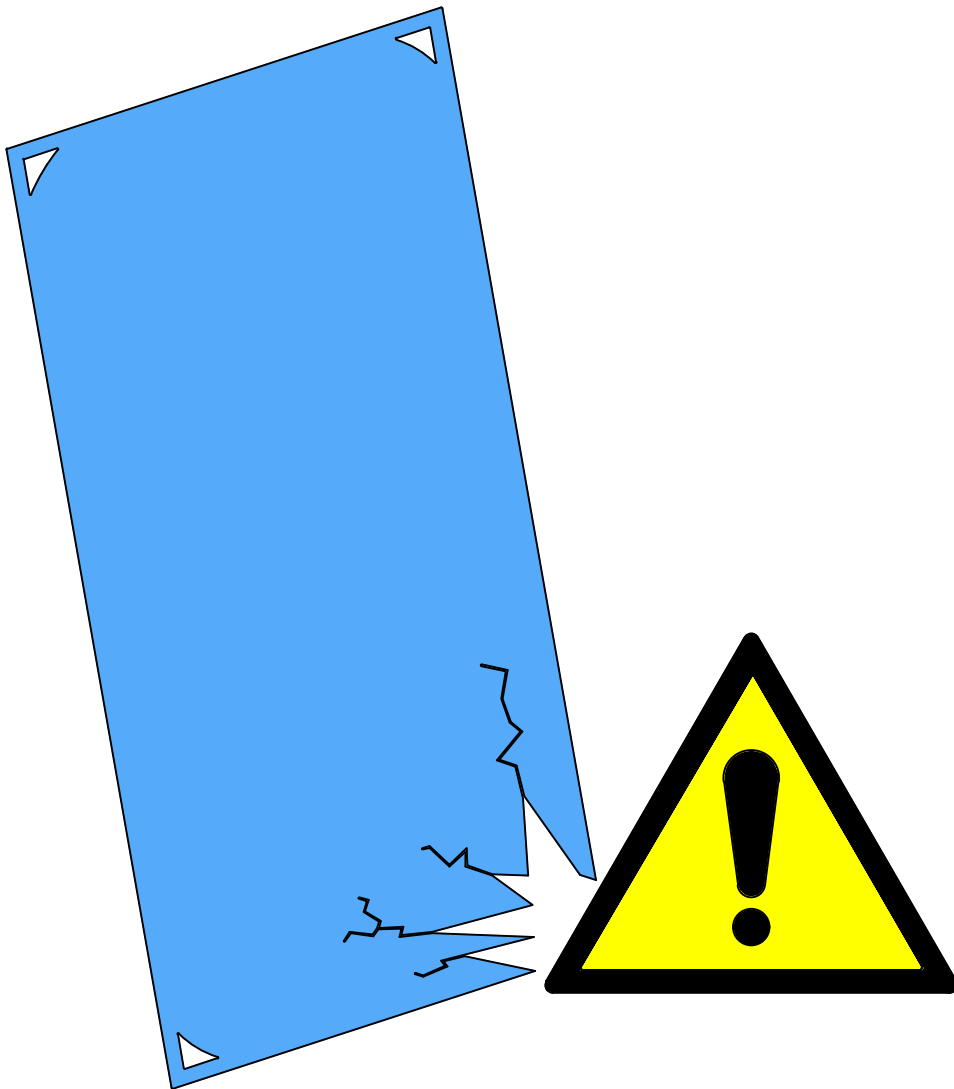
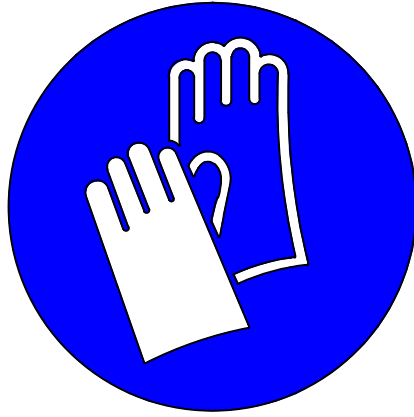
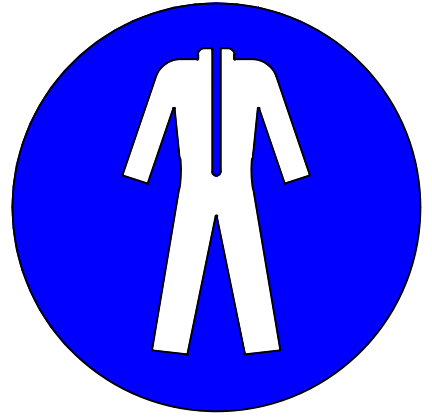
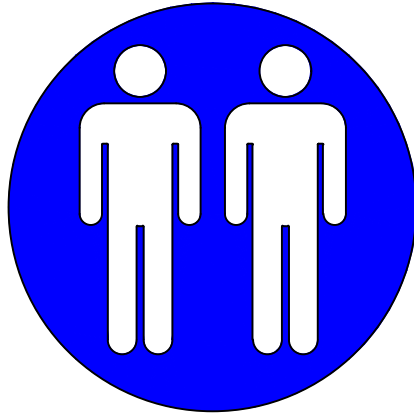




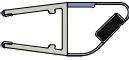
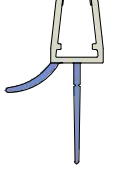

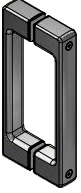
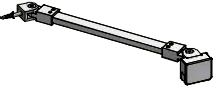
Assembling Instruction
Montageanleitung
Notice de montage
Montážní návod

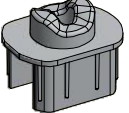


Shower for life



CI EPF

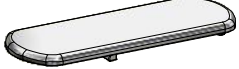
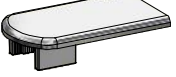











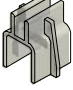
POS.	PREVIEW	PCS	SPARE PART
1.		1	V308
2.		1	V307 FIX
3.		1	P6139
4.		1	P6122
5.		1	P6133 (VPE) P6809 (NPE)
6.		1	MA9198 (VPE) MB2332 (NPE)
7.	ACCESSORIES	1	P6151 (VPE) P6942 (NPE)
8.		1	P317

POS.	PREVIEW	PCS	SPARE PART
1.1		2	MA9747 (VPE) MB2419 (NPE)

2. FIX

POS.	PREVIEW	PCS	SPARE PART
2.1		1	V307
2.2		2	MA9742 (VPE) MB2474 (NPE)
2.3		1	P5941 (VPE) P6792 (NPE)
2.4		1	ND01-3398
2.5		2	M3372

7. P6151 (VPE) P6942 (NPE)

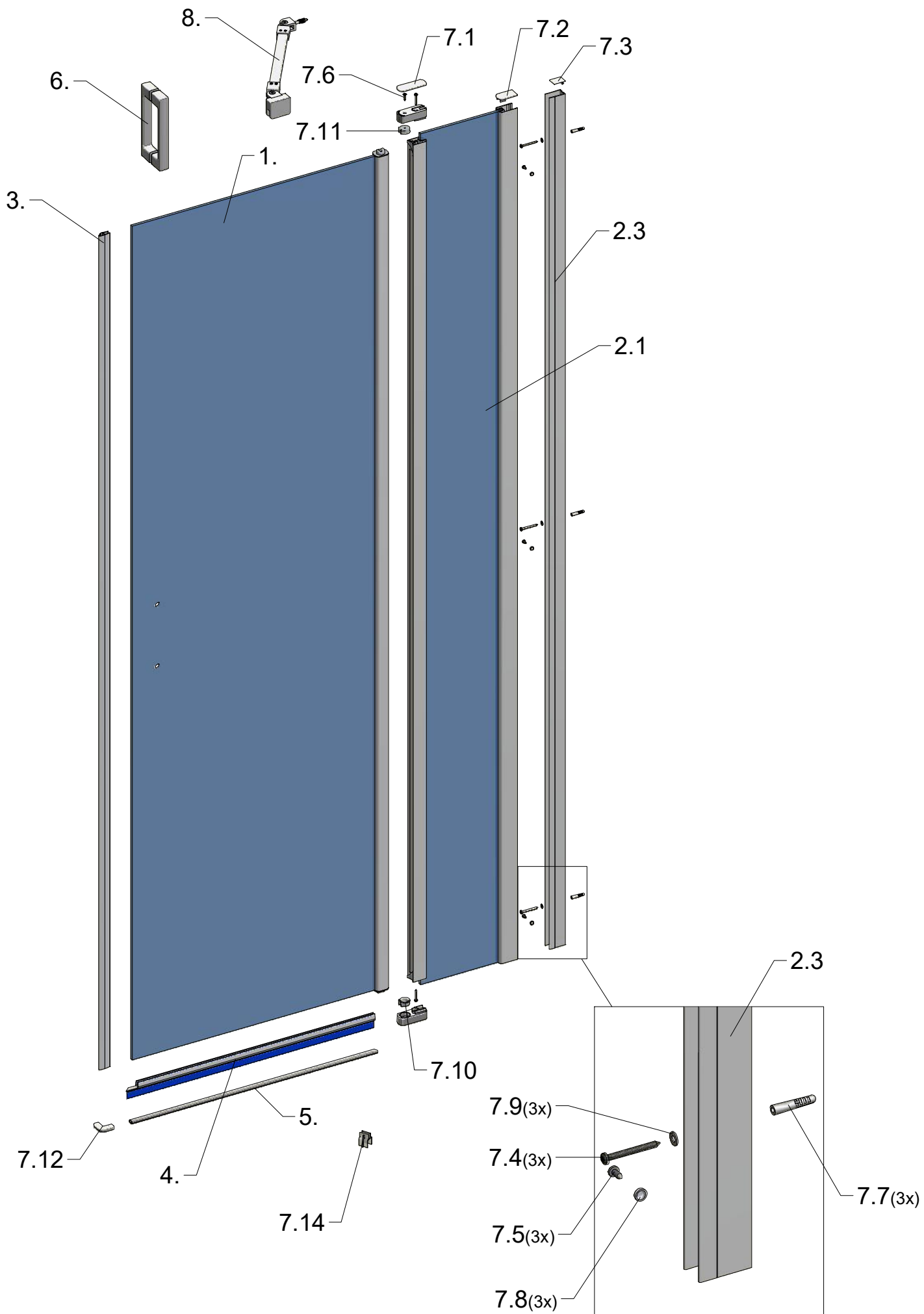
POS.	PREVIEW
7.1	
7.2	
7.3	
7.4	3x 
7.5	3x 
7.6	
7.7	3x 
7.8	3x 
7.9	3x 
7.10	
7.11	
7.12	
7.13	
7.14	

1. V308		
SIZE	clear glass+black	clear glass+brillant
750		ND02-0960-00-02
800	ND02-0961-05-02	ND02-0961-00-02
900	ND02-0962-05-02	ND02-0962-00-02
1000	ND02-0932-05-02	ND02-0932-00-02
1100	ND02-0963-05-02	ND02-0963-00-02
1200	ND02-0963-05-02	ND02-0963-00-02
1400	ND02-0935-05-02	ND02-0935-00-02

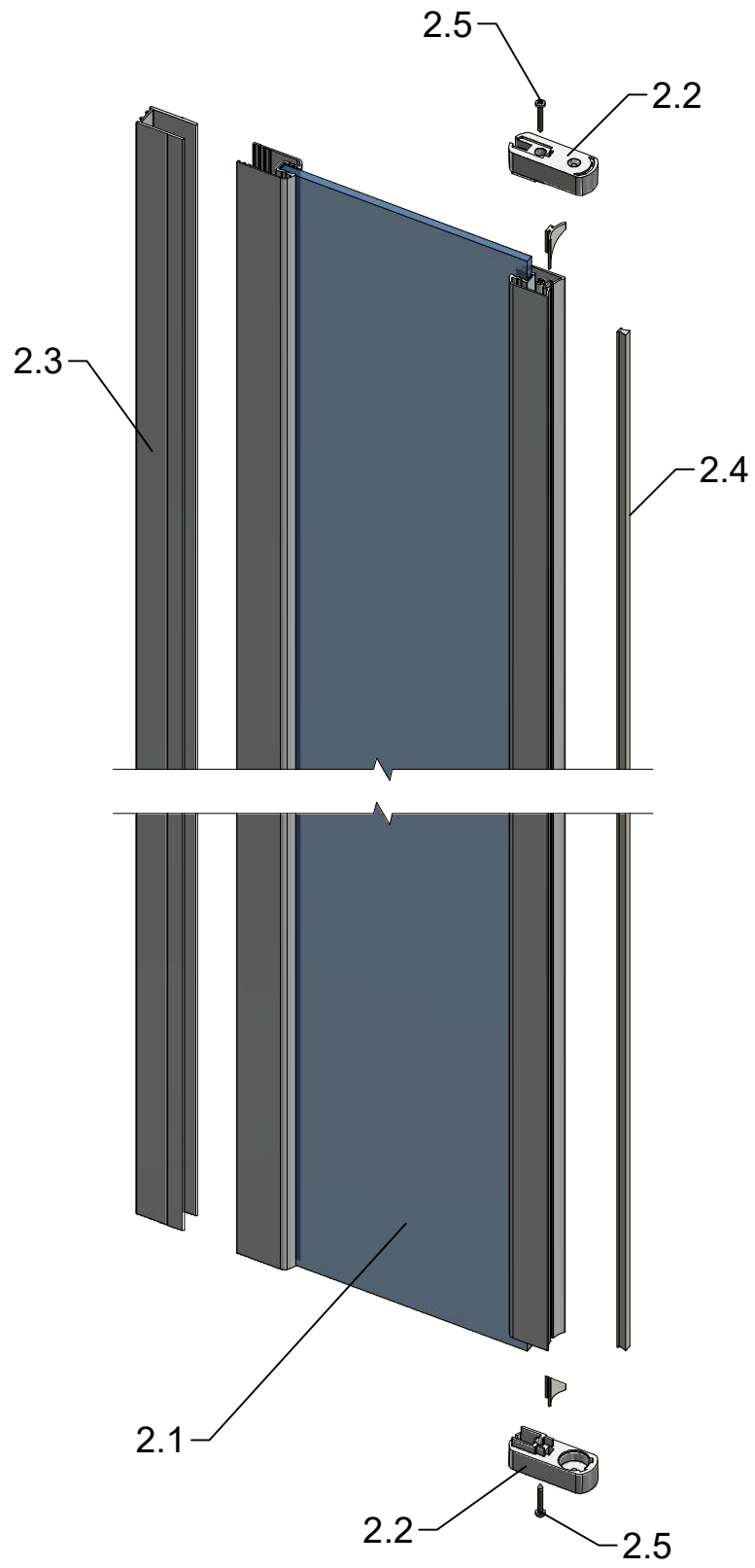
2.1 V307		
SIZE	clear glass+black	clear glass+brillant
750		ND03-0965-00-02
800	ND03-0965-05-02	ND03-0965-00-02
900	ND03-0965-05-02	ND03-0965-00-02
1000	ND03-0966-05-02	ND03-0966-00-02
1100	ND03-0966-05-02	ND03-0966-00-02
1200	ND03-0967-05-02	ND03-0967-00-02
1400	ND03-0969-05-02	ND03-0969-00-02

8. P317		
SIZE	black	brillant
750;800;900;1000;1100	MB2387	MB0229
1200;1400	MB2388	MB0230

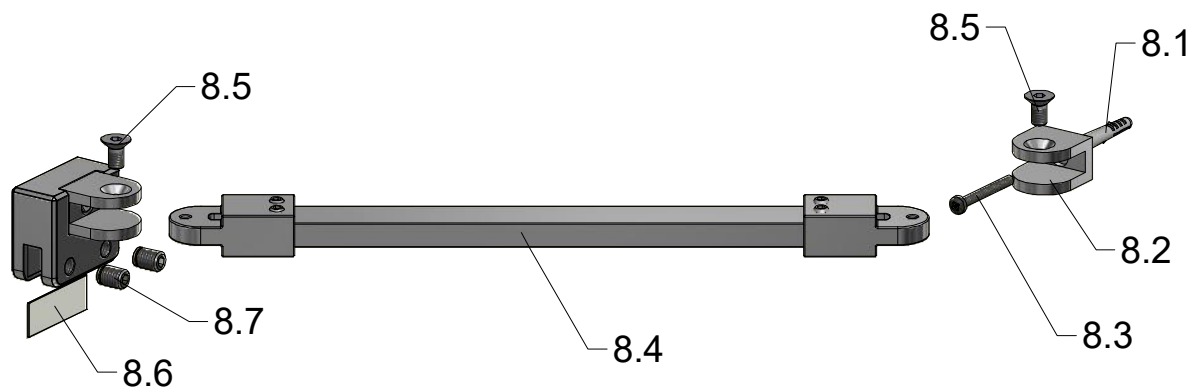
CI EPF



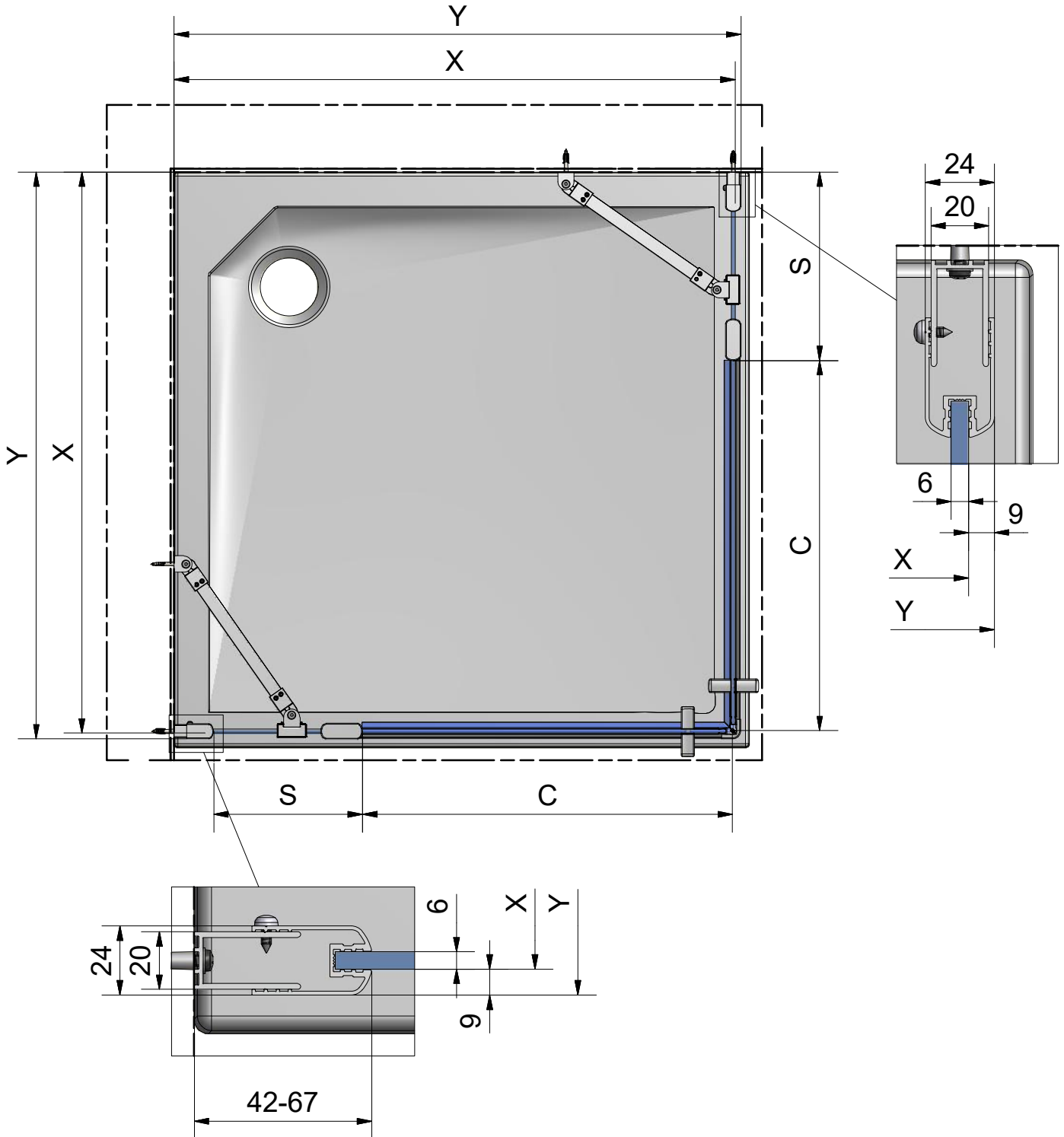
2. FIX



8. P317

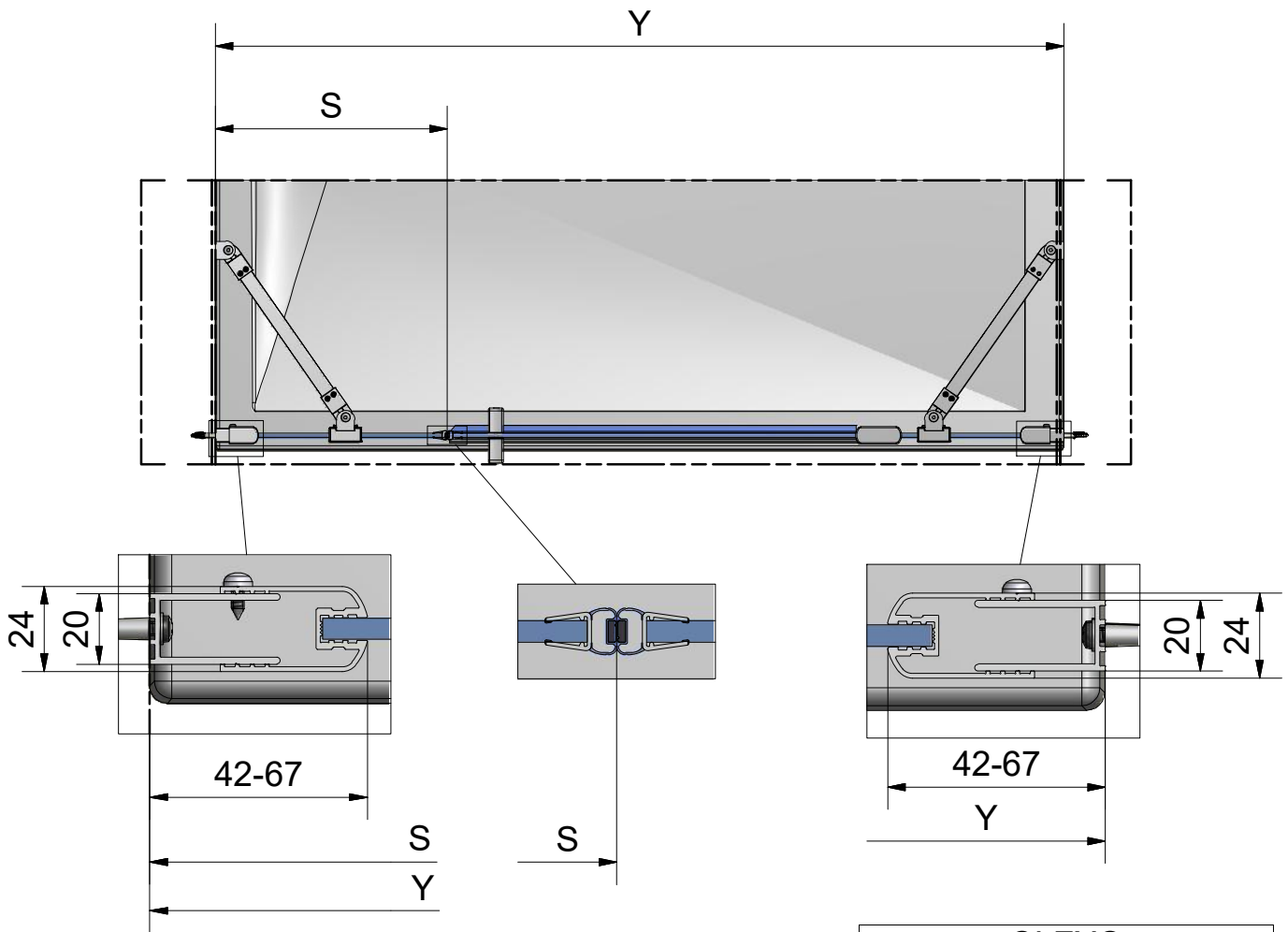


CI EPF + CI EPF



CI EPF + CI EPF				
TYPE	X (mm)	Y (mm)	C (mm)	S (mm)
750	708-733	717-742	425	275-300
800	758-783	767-792	475	275-300
900	858-883	867-892	575	275-300
1000	958-983	967-992	625	325-350
1100	1058-1083	1067-1092	725	325-350
1200	1158-1183	1167-1192	725	425-450
1400	1358-1383	1367-1392	875	425-450

CI EPF + CI FXO

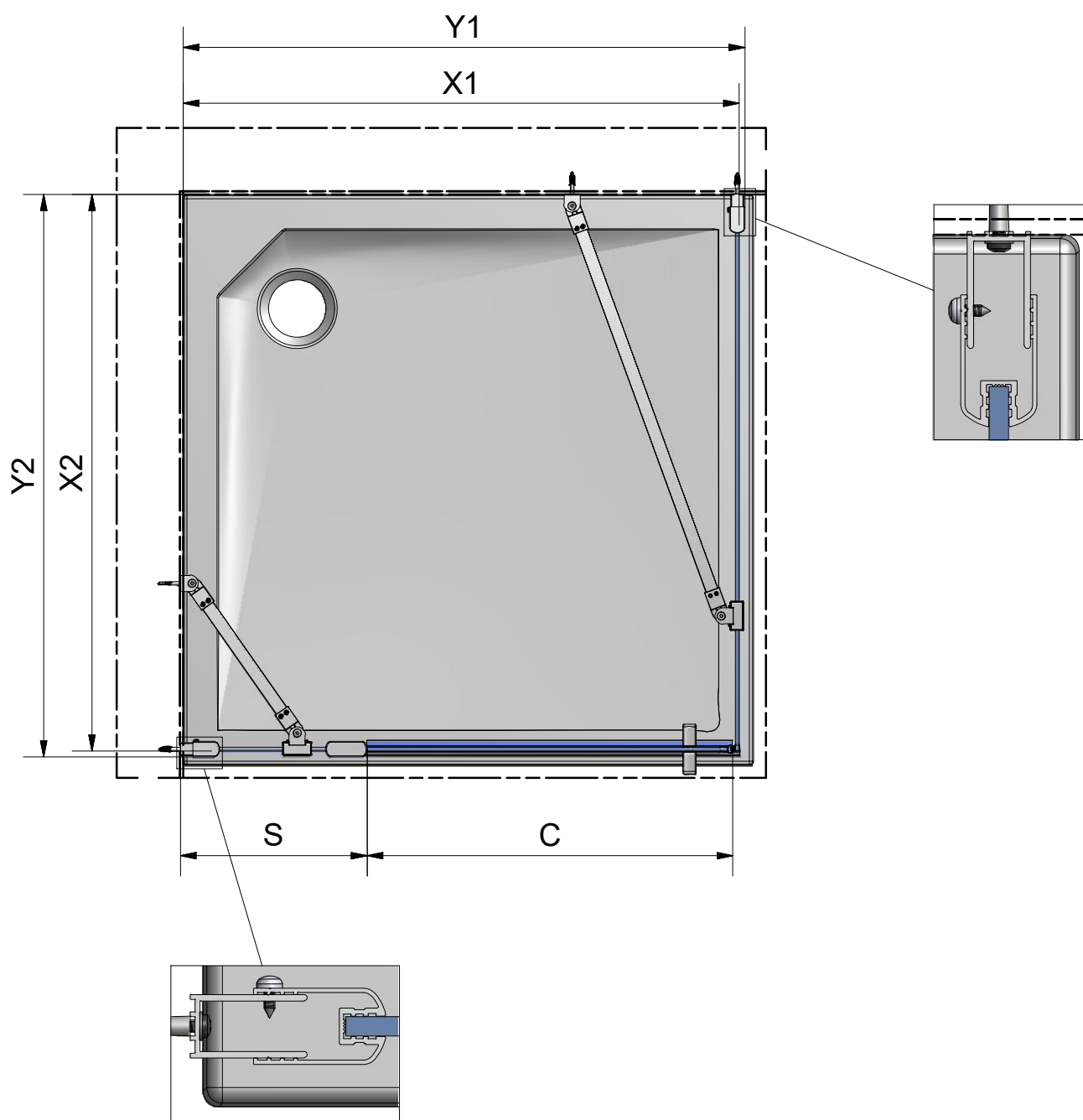


CI FXO	
TYPE	S (mm)
CI FXO 230	209-234
CI FXO 330	309-334
CI FXO 430	409-434
CI FXO 530	509-534
CI FXO 630	609-634

CI EPF + CI FXO				
TYPE	Y(CI EPF750)	Y(CI EPF800)	Y(CI EPF900)	Y(CI EPF1000)
CI FXO 230	910-960	960-1010	1060-1110	1160-1210
CI FXO 330	1010-1060	1060-1110	1160-1210	1260-1310
CI FXO 430	1110-1160	1160-1210	1260-1310	1360-1410
CI FXO 530	1210-1260	1260-1310	1360-1410	1460-1510
CI FXO 630	1310-1360	1360-1410	1460-1510	1560-1610

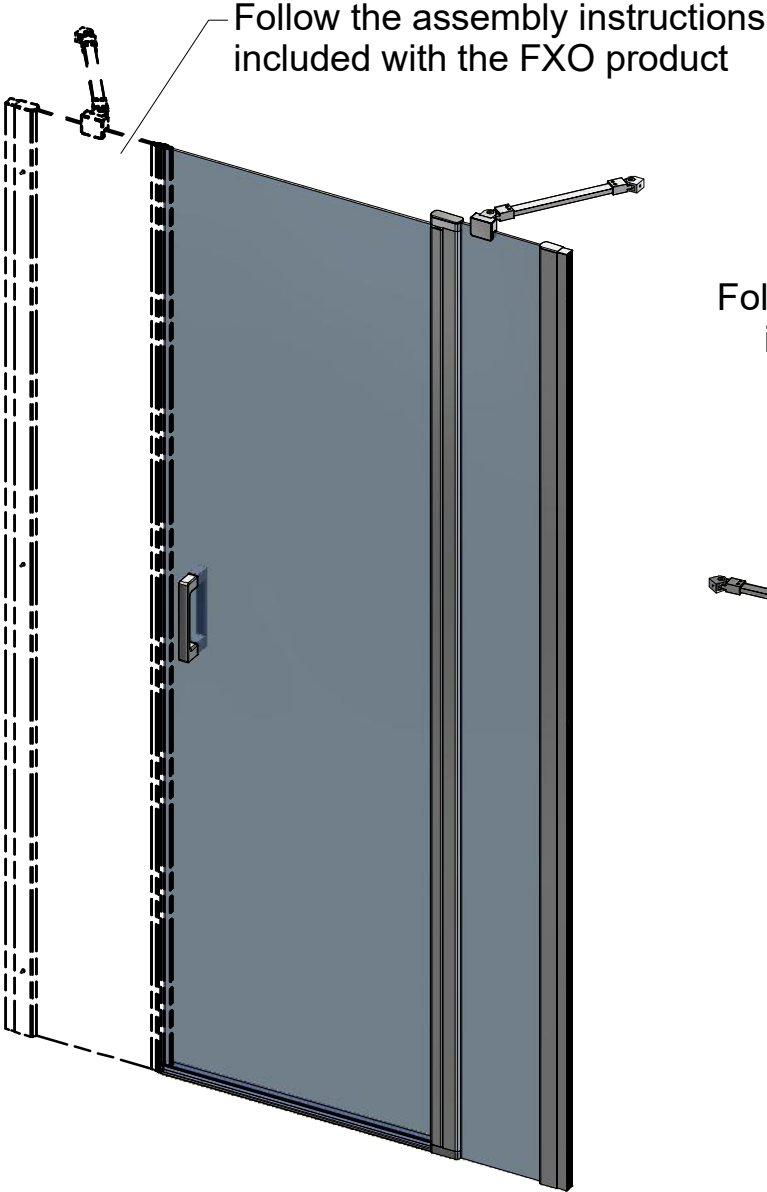
CI EPF + CI FXO			
TYPE	Y (CI EPF 1100)	Y (CI EPF1200)	Y (CI EPF1400)
CI FXO 230	1260-1310	1360-1410	1560-1610
CI FXO 330	1360-1410	1460-1510	1660-1710
CI FXO 430	1460-1510	1560-1610	1760-1810
CI FXO 530	1560-1610	1660-1710	1860-1910
CI FXO 630	1660-1710	1760-1810	1960-2012

CI EPF + CI FXG

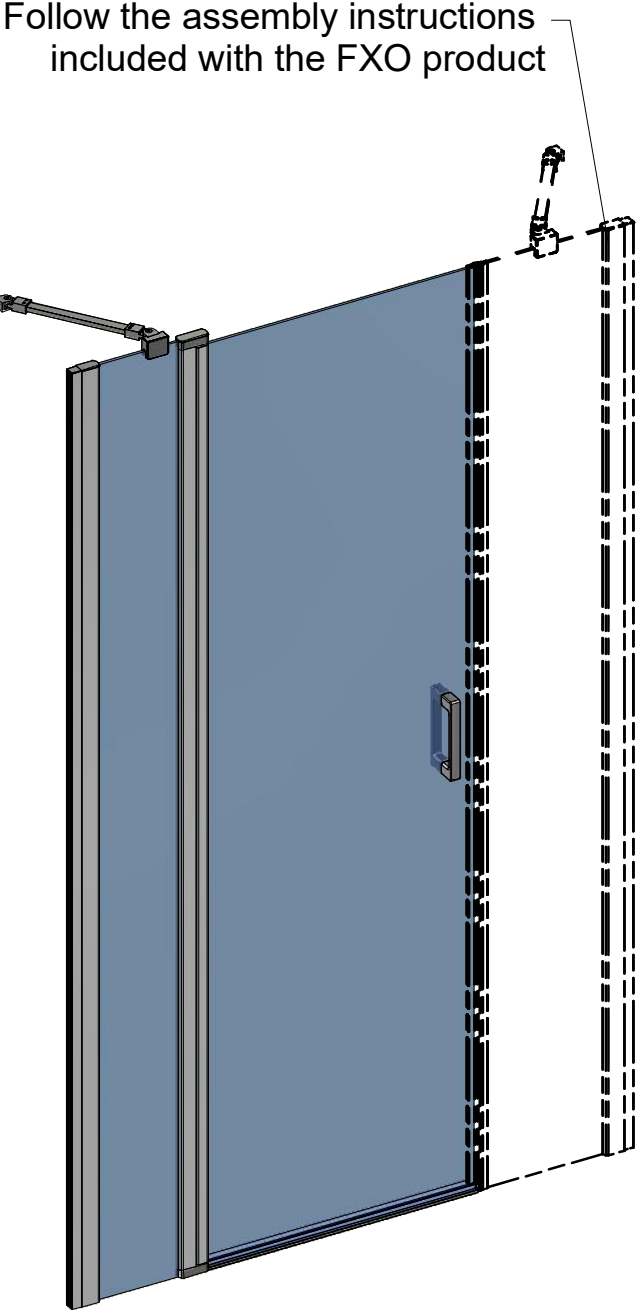


CI EPF + CI FXG					
TYPE	X1 (mm)	Y1 (mm)	C (mm)	X2 (mm)	Y2 (mm)
750	712-737	721-746	425	709-734	718-743
800	762-787	771-796	475	759-784	768-793
900	862-887	871-896	575	859-884	868-893
910	-	-	-	883-908	892-917
1000	962-987	971-996	625	959-984	968-993
1100	1062-1087	1071-1096	725	1059-1084	1068-1093
1200	1162-1187	1171-1196	725	1159-1184	1168-1193
1400	1362-1387	1371-1396	875	-	-

CI EPF + CI FXO



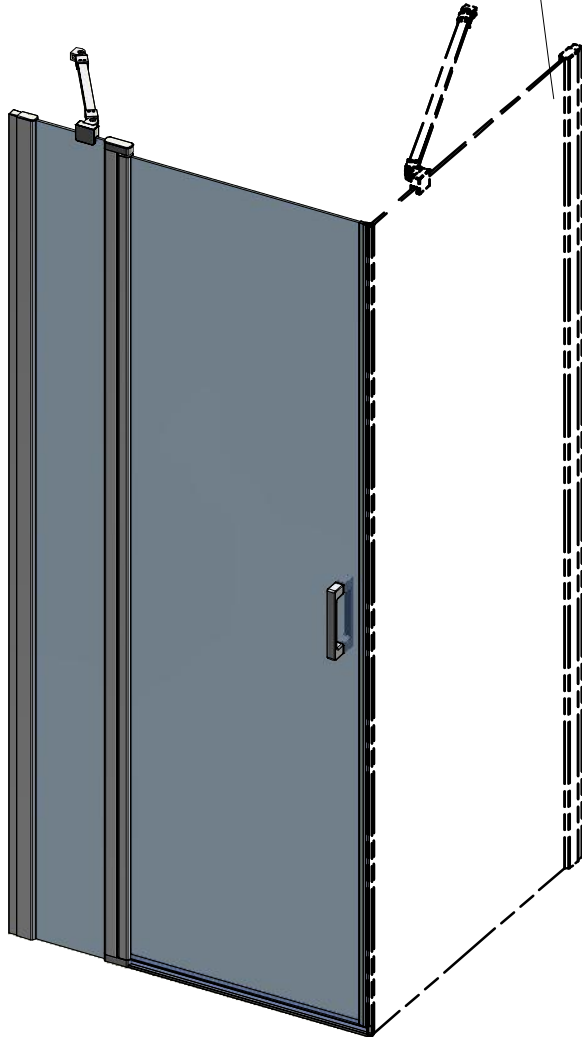
**LEFT Installation
CI FXO + CI EPF**



**RIGHT Installation
CI FXO + CI EPF**

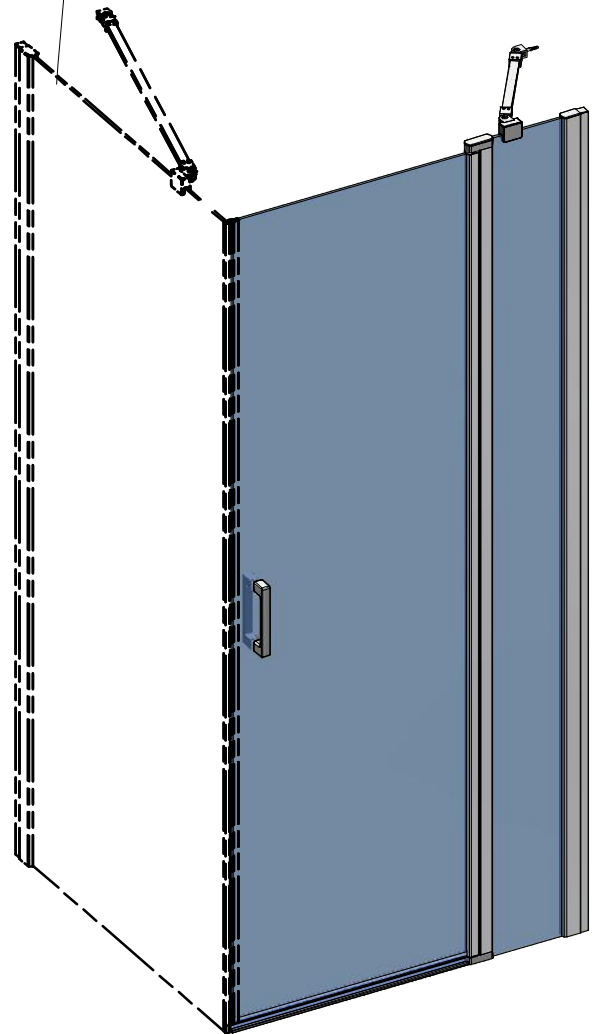
CI EPF + CI FXG

Follow the assembly instructions included with the FXG product



LEFT Installation
CI FXG + CI EPF

Follow the assembly instructions included with the FXG product

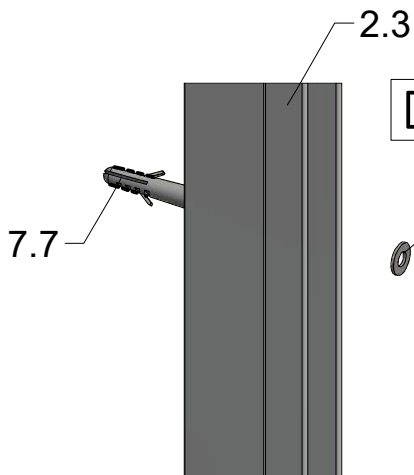
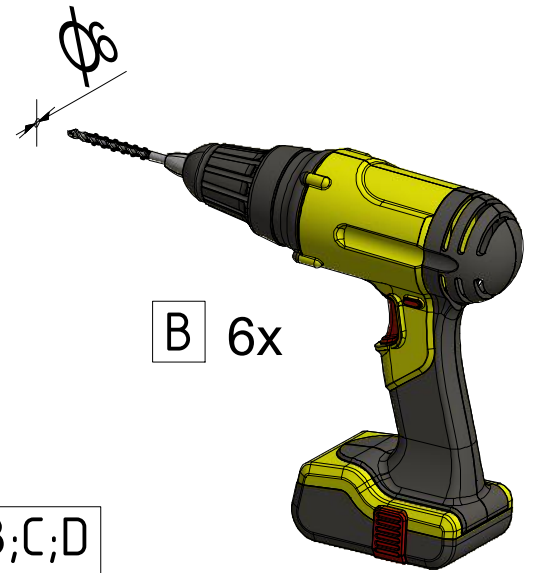
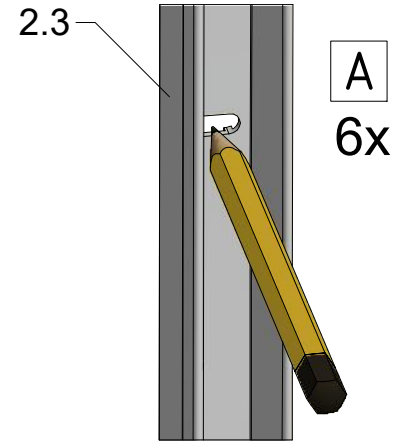
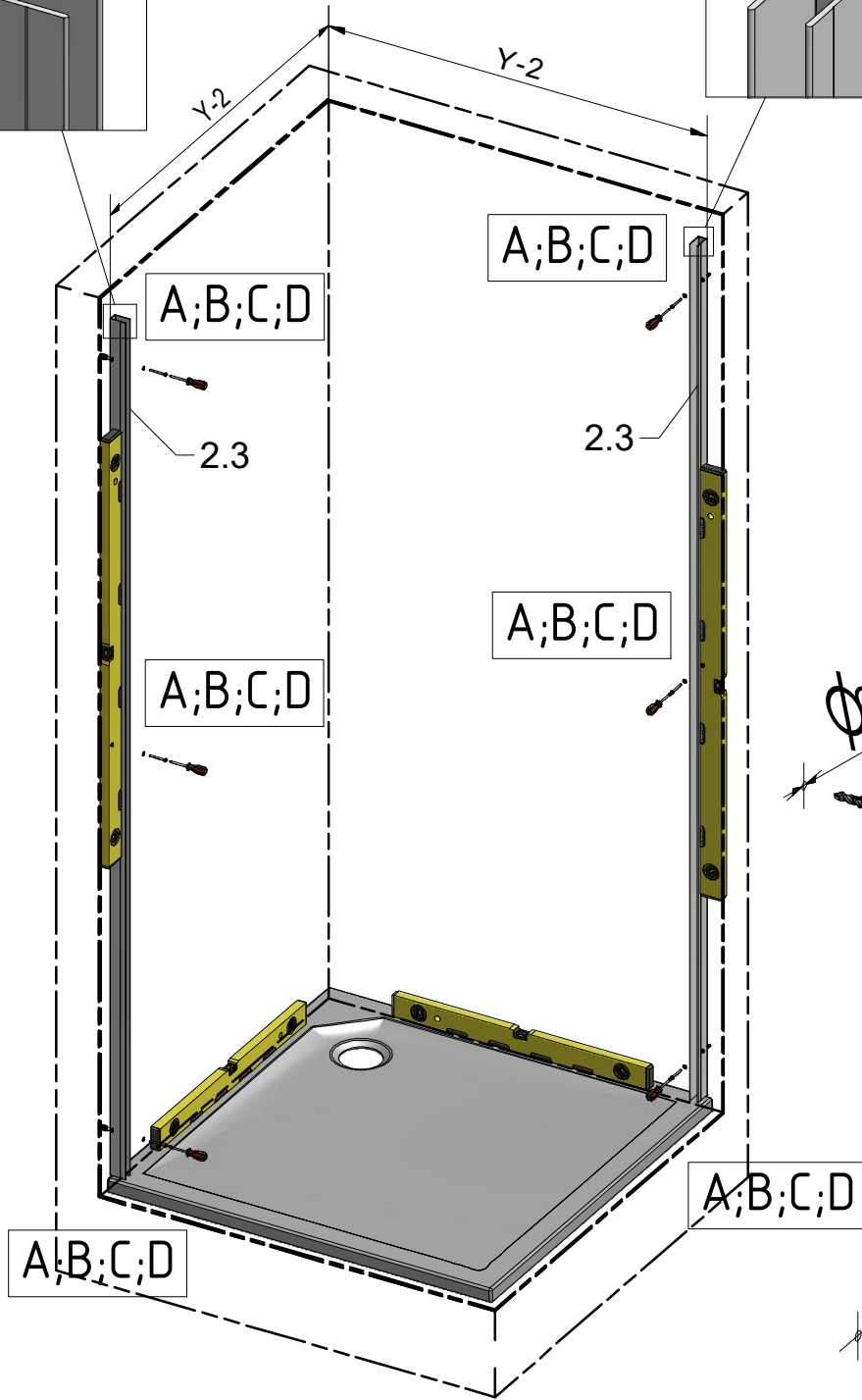
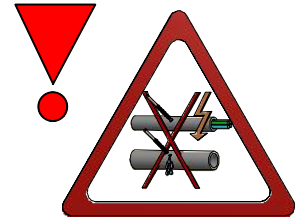
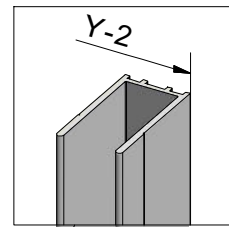
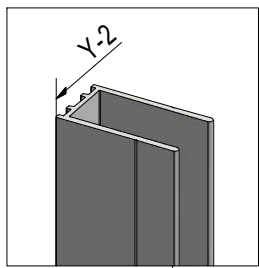


RIGHT Installation
CI FXO + CI EPF

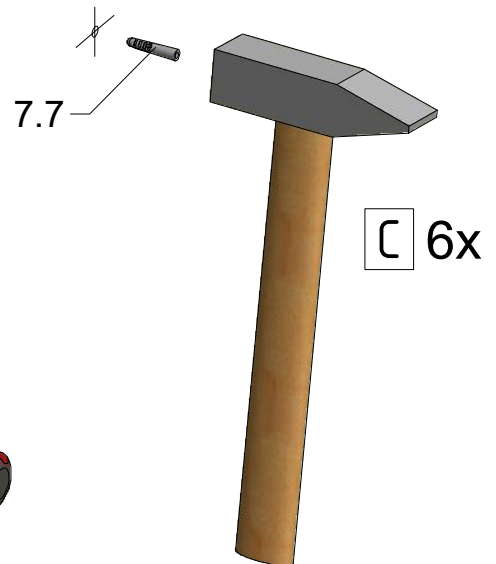
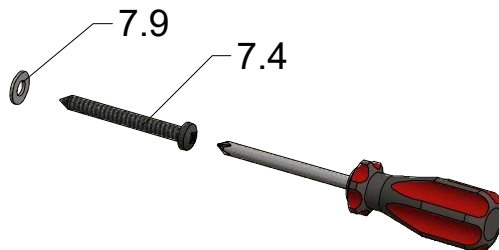
The following installation steps in the manual are intended for mounting a corner in a CI EPF + CI EPF configuration

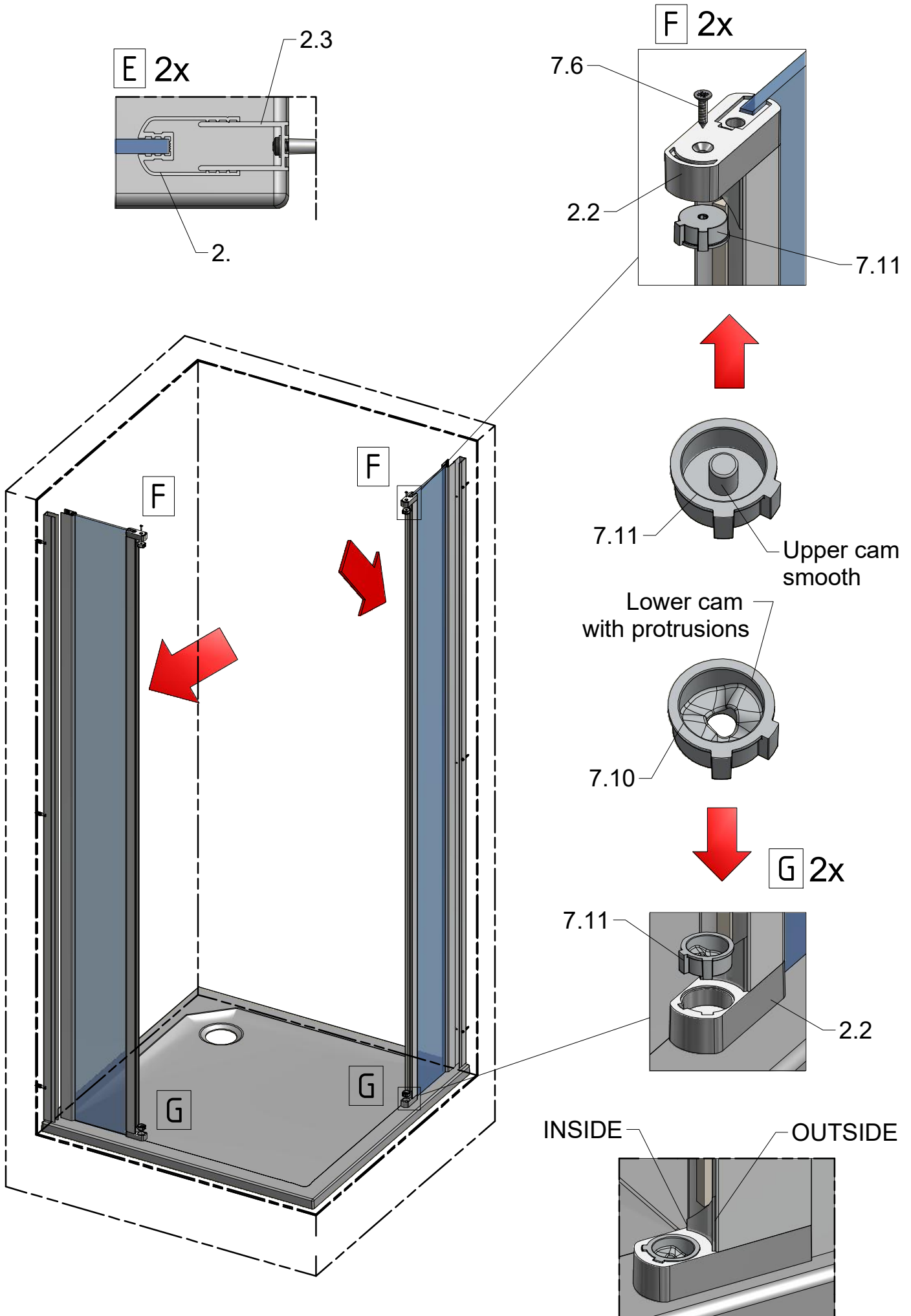
(To mount the CI FXG / CI FXO - follow the assembly steps for the selected left or right half of the CI EPF)

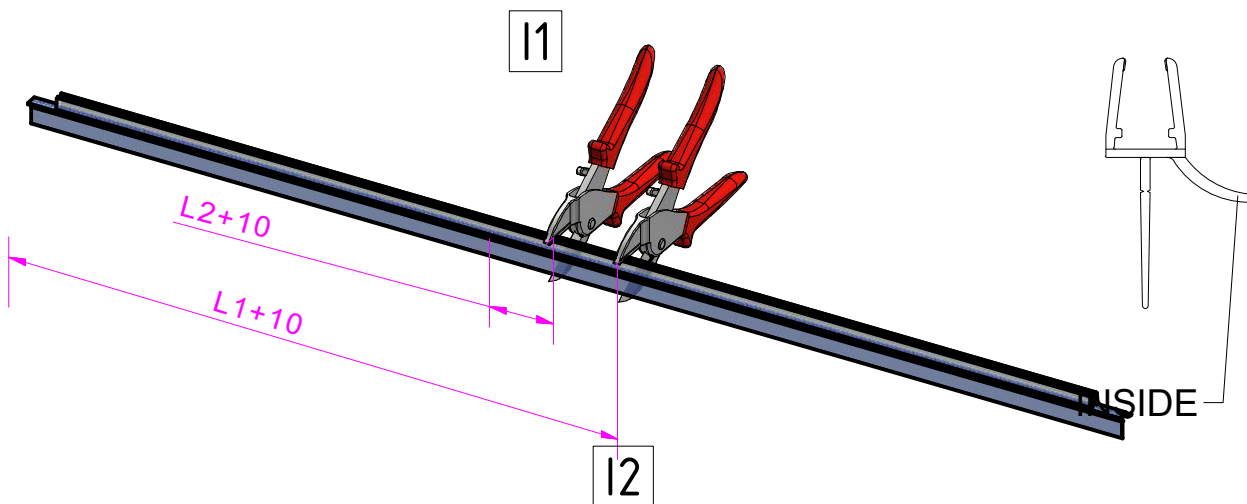
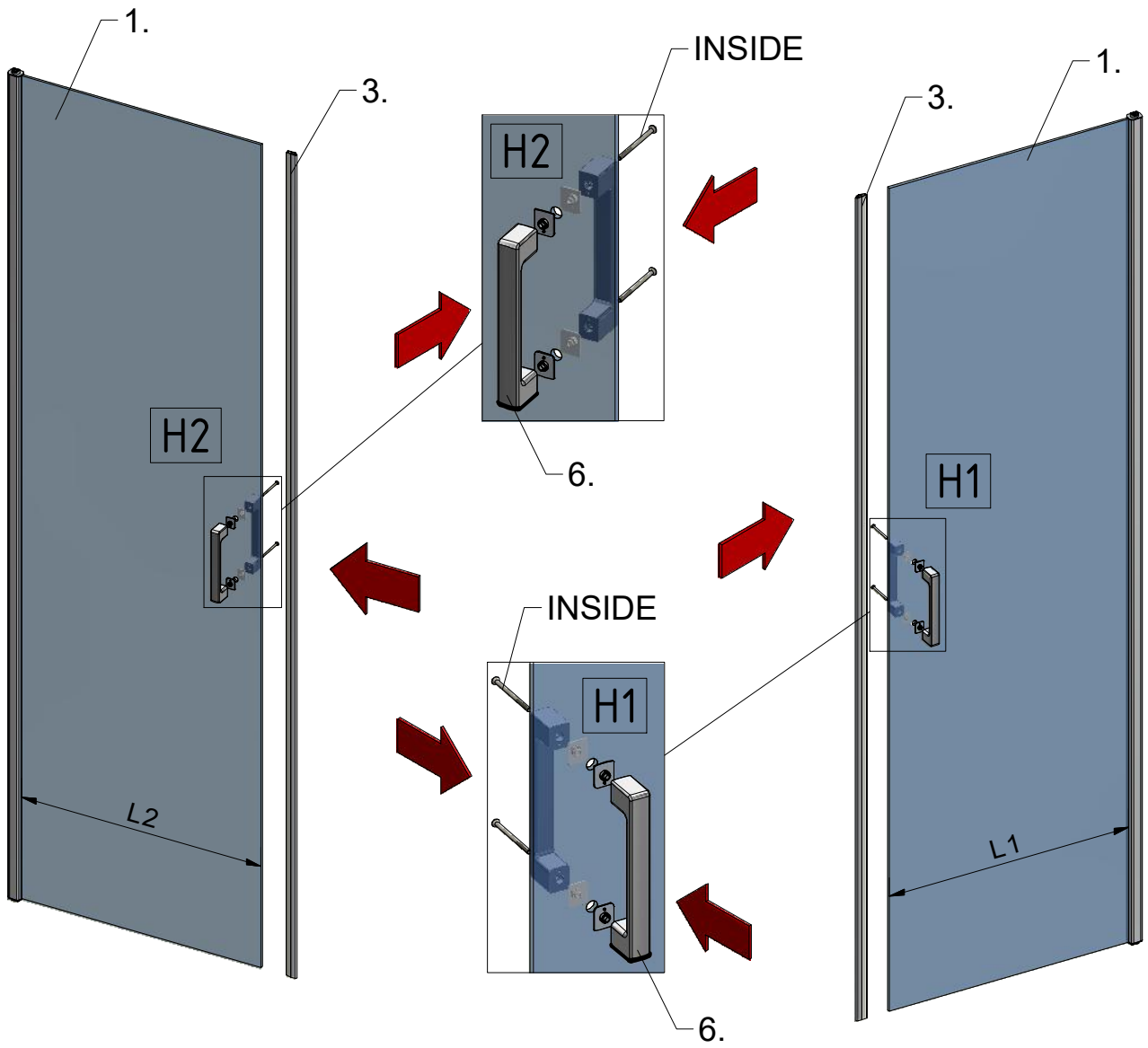




D 6x

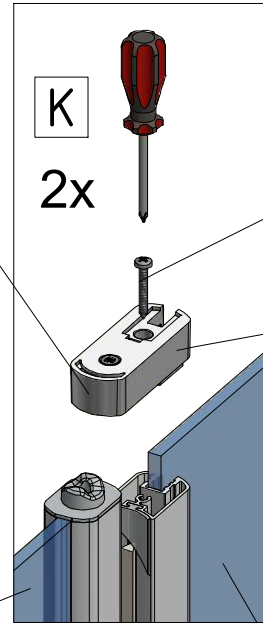




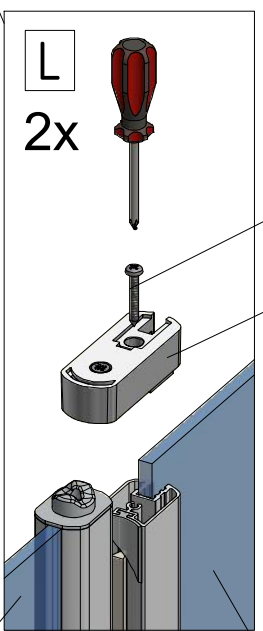




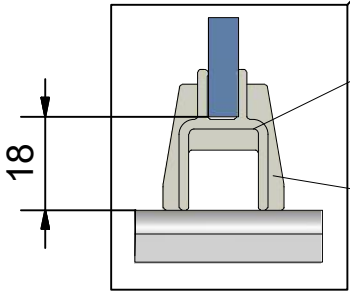
Remove the ZAMAK
for door assembly



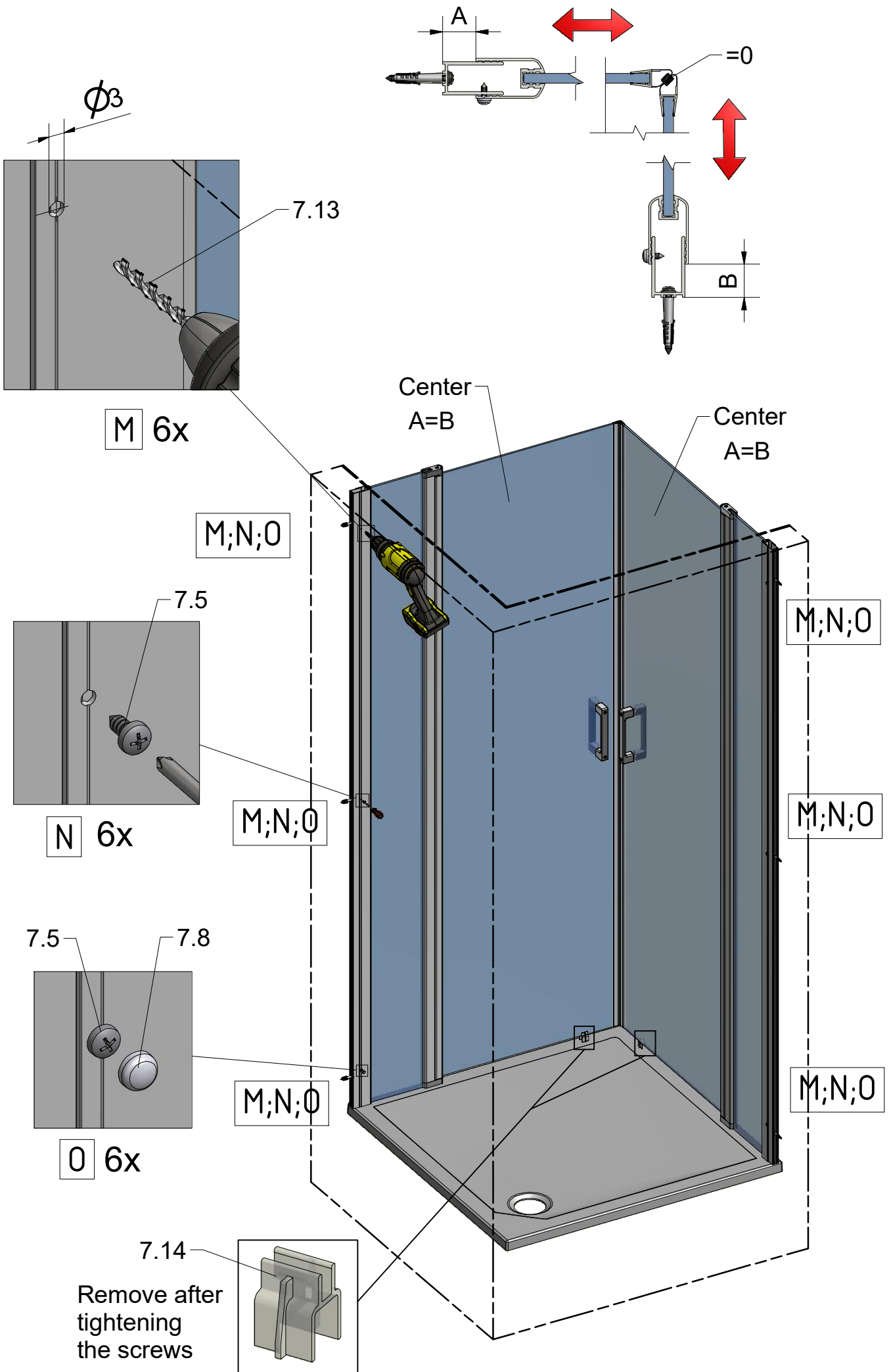
7.6
2.2
1.
2.1

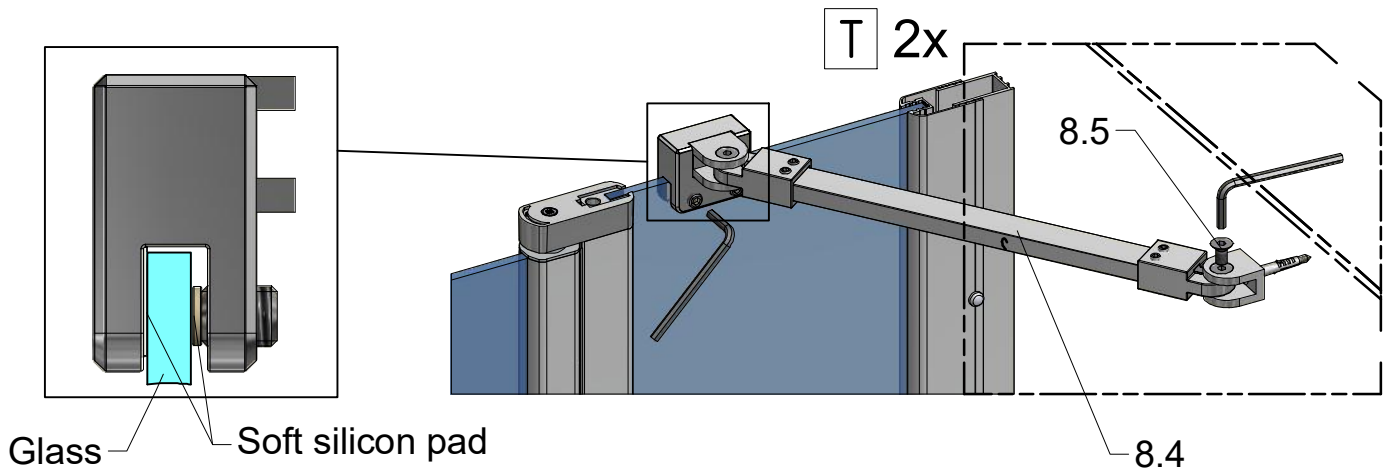
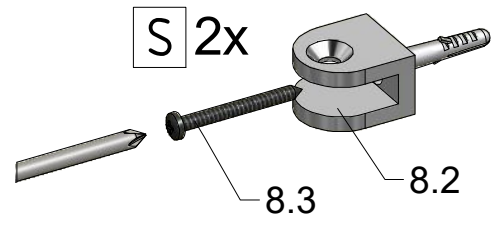
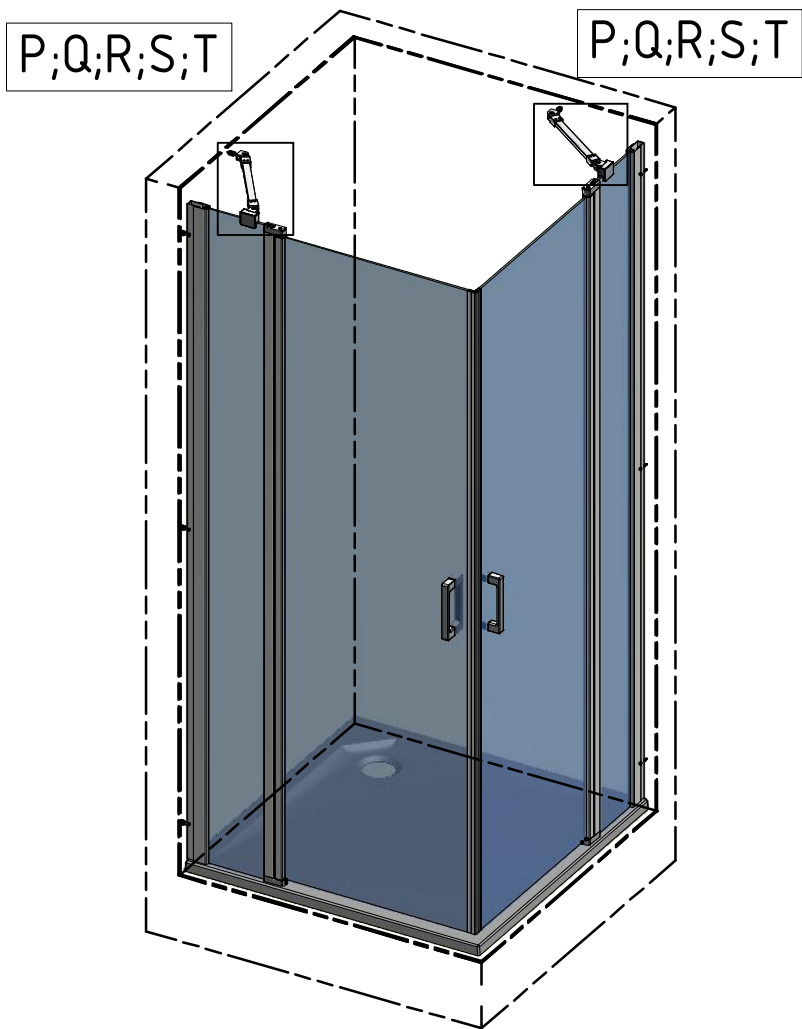
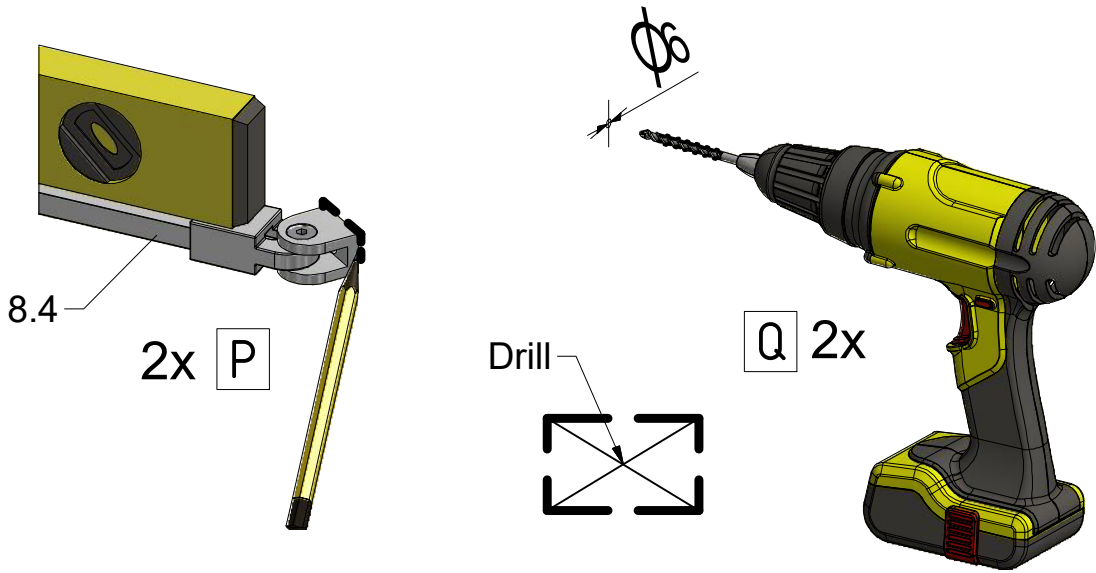


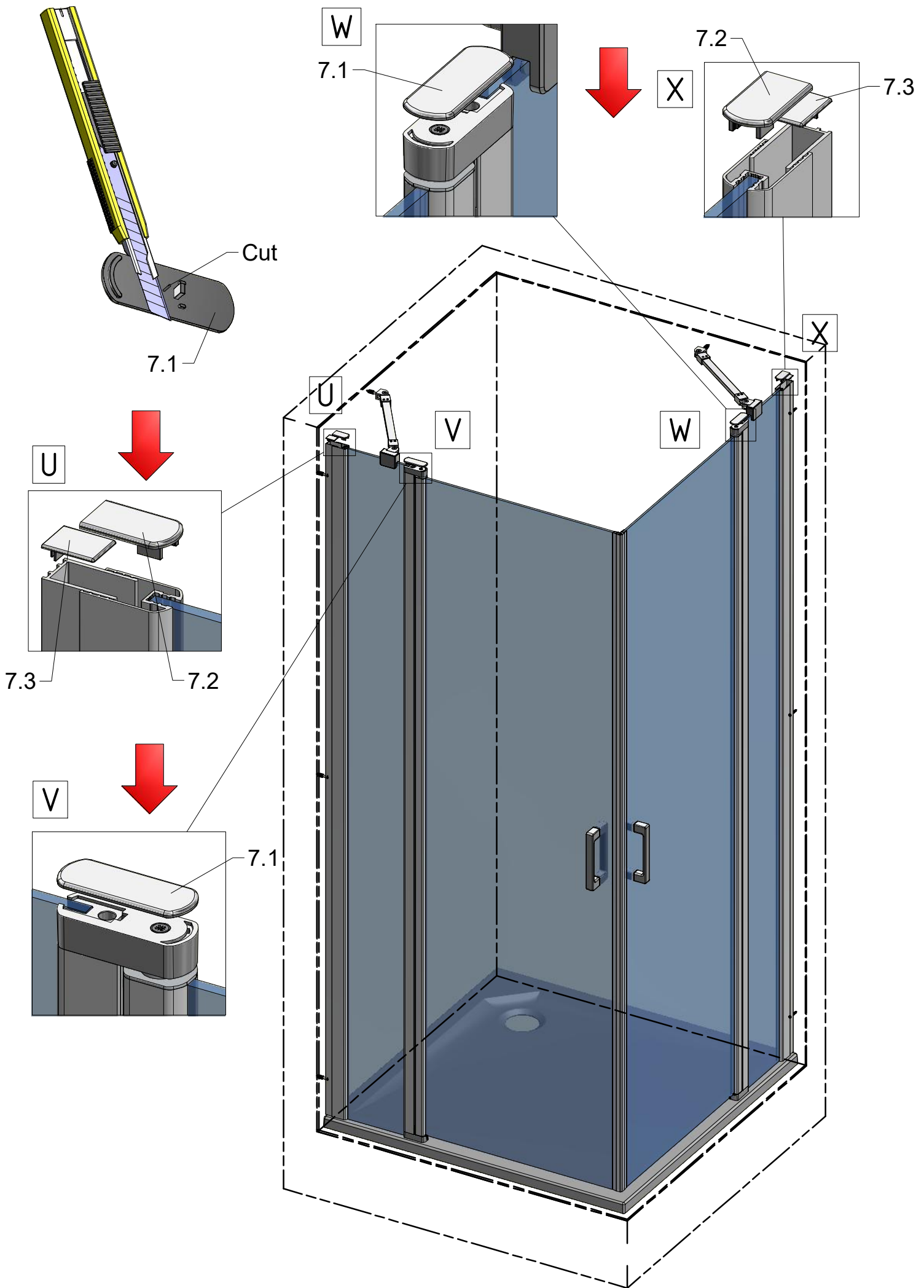
7.6
2.2
1.
2.1

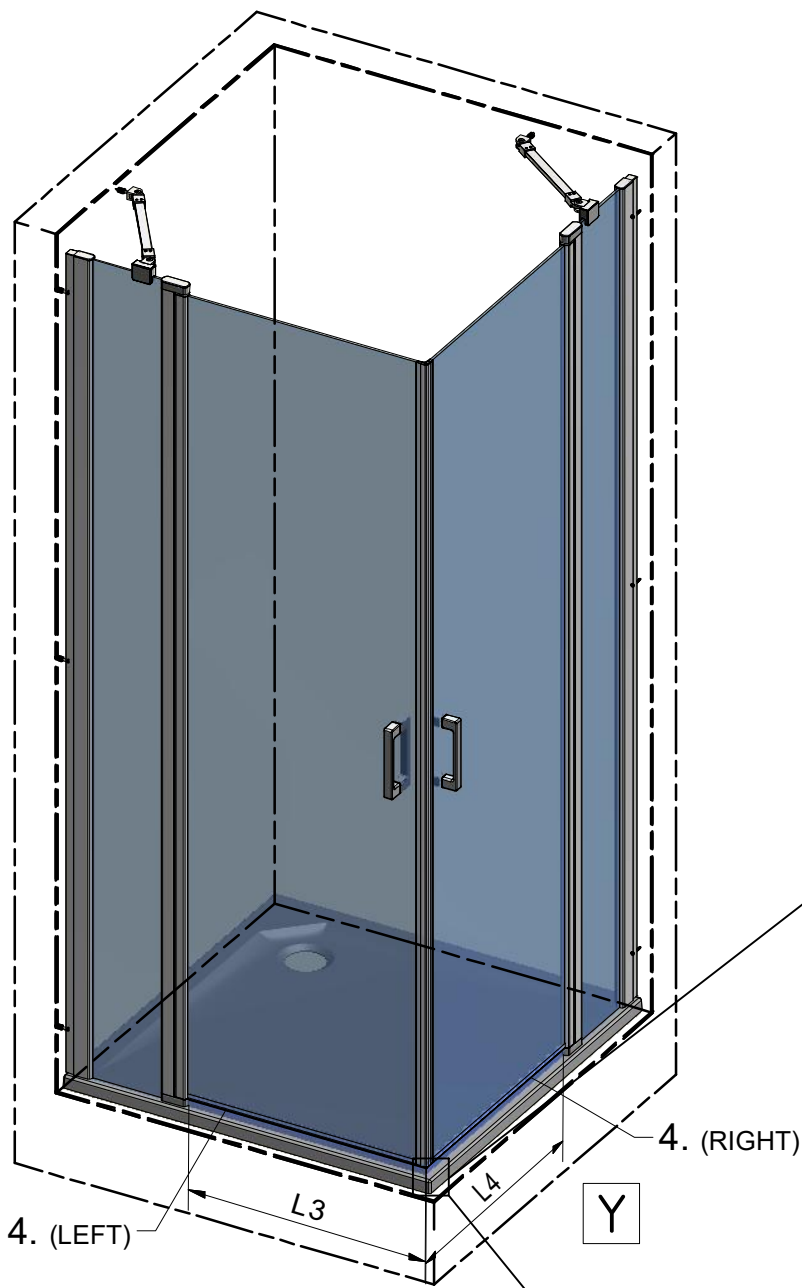


Use for protect and
support door glass

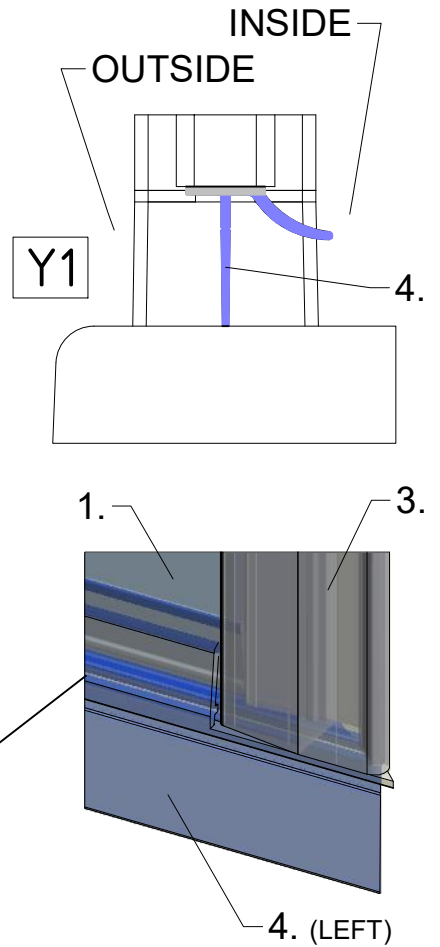




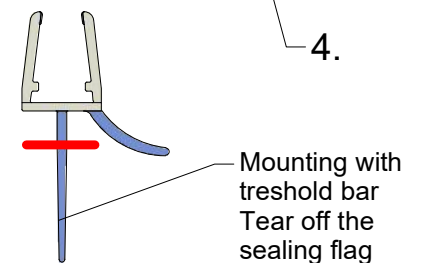
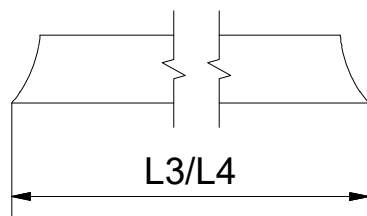
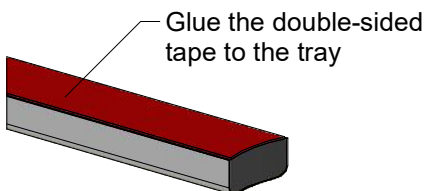
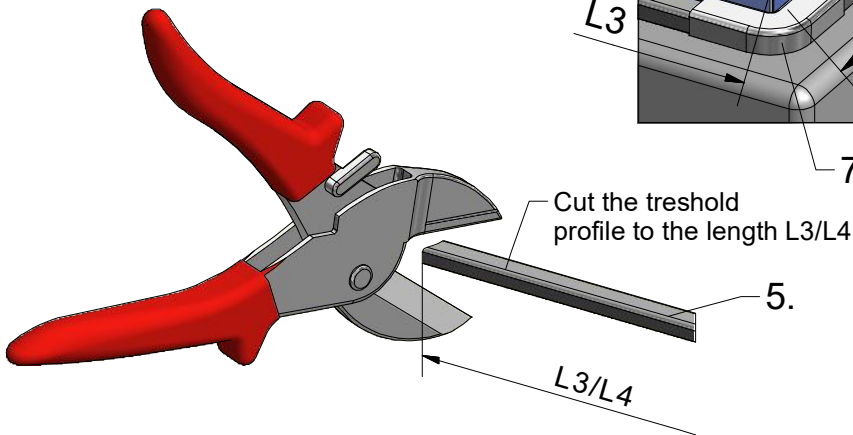
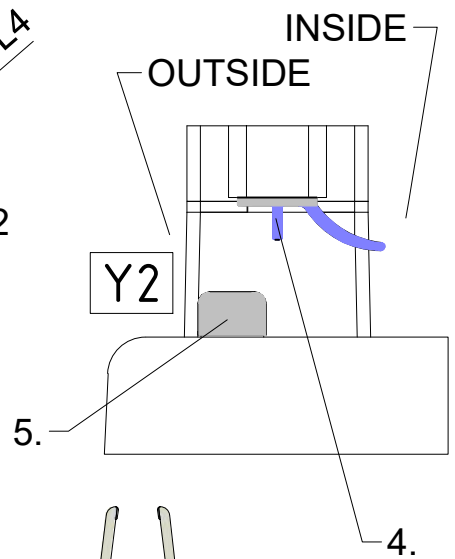




Mounting without threshold bar

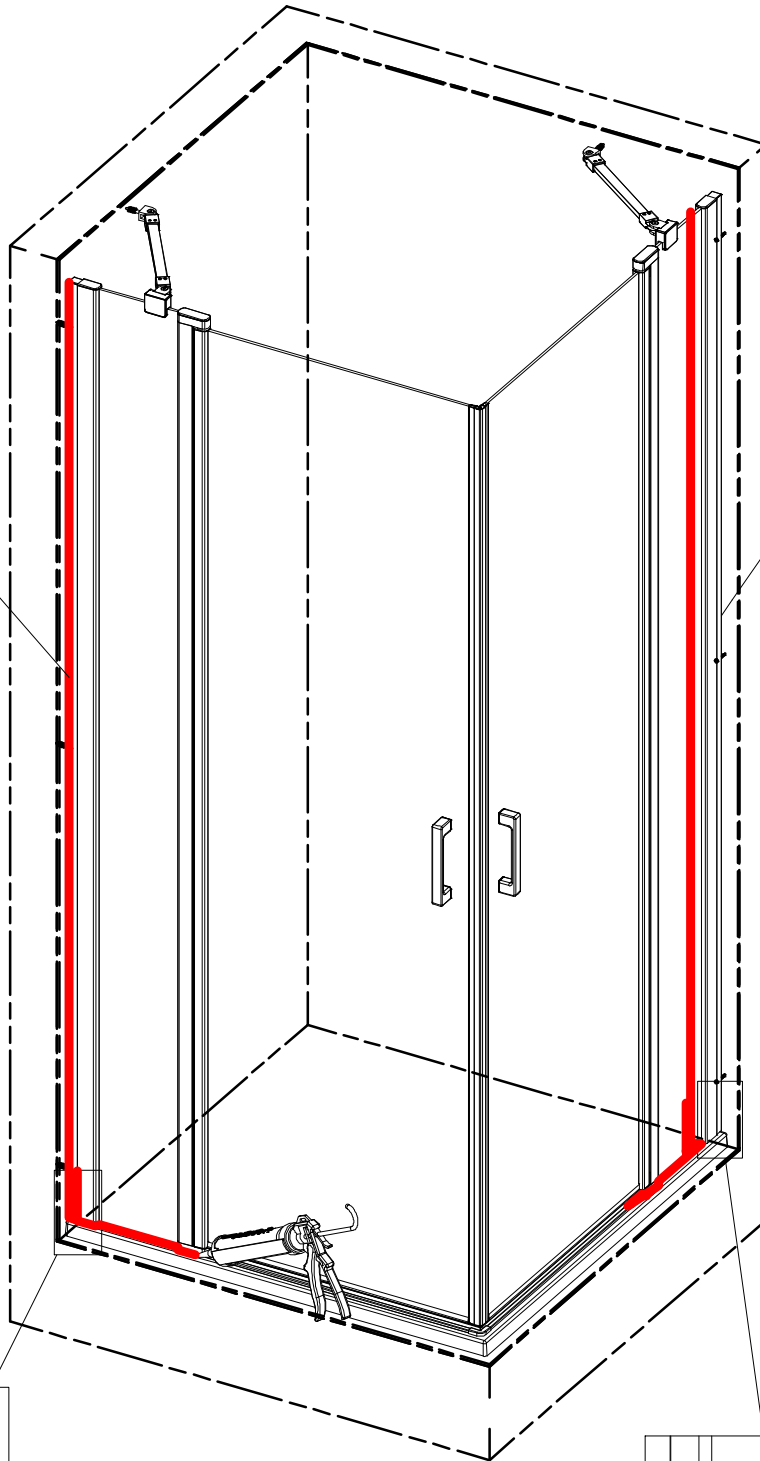


Mounting with threshold bar

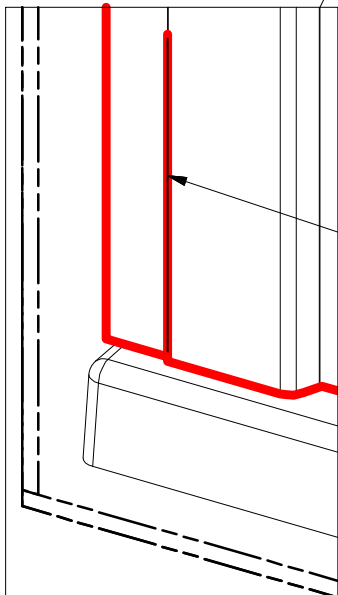




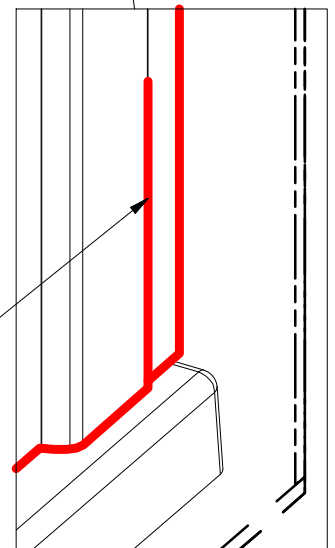
SILICONE



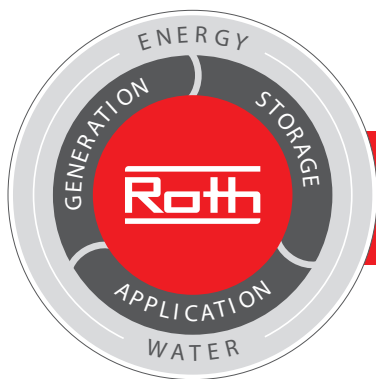
SILICONE



SILICONE
MIN 100mm



SILICONE
MIN 100mm



Roth Energy and Sanitary Systems

Generation

- Solar systems <
- Heat pump systems <

Storage

- Storage systems for
Domestic & heating water <
- Combustibles and biofuels <
- Rainwater and waste water <

Application

- > Radiant heating
and cooling systems
- > Pipe installation systems
- > Shower system



■ Deutschland

ROTH WERKE GMBH
Am Seerain 2
35232 Dautphetal
Telefon: 06466/922-0
Telefax: 06466/922-100
E-Mail: service@roth-werke.de
www.roth-werke.de

■ Czech Republic

Roth Czech s.r.o.
Třebořov 160
569 33 Třebořov
Tel.: +420 461 353 611
E-Mail: objednavky@roth-czech.cz
www.roth-czech.cz

■ France

ROTH FRANCE
CS 20090
78, rue Ampère - ZI
77465 Lagny sur Marne Cedex
Tél.: +420 461 353 611
www.roth-france.fr