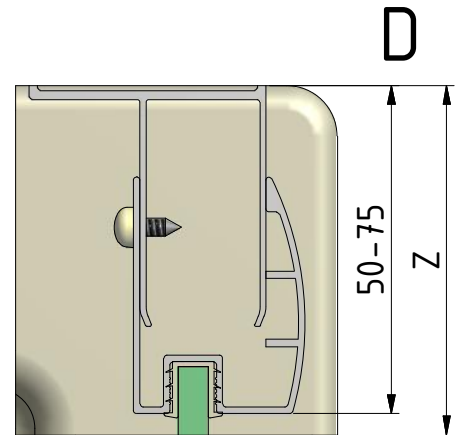
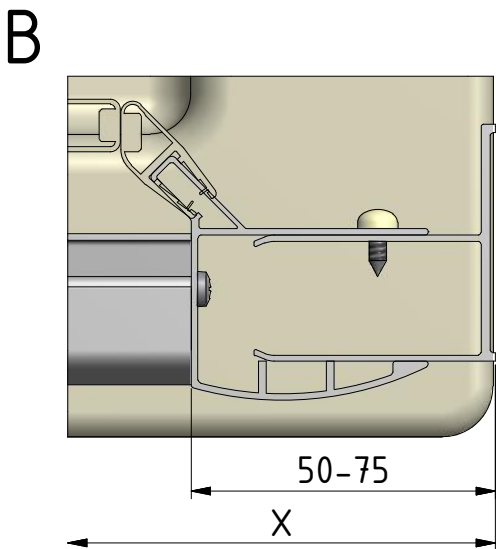
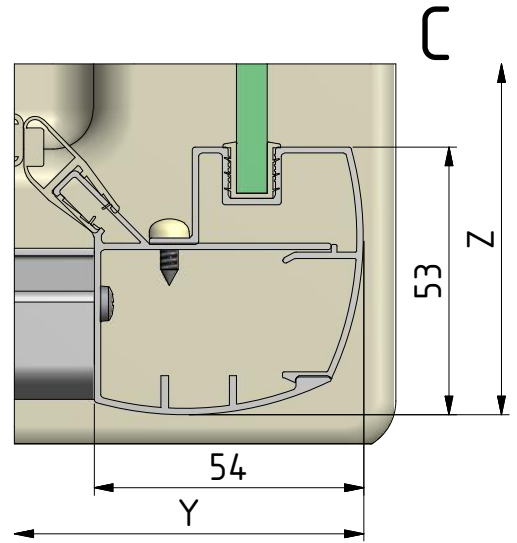
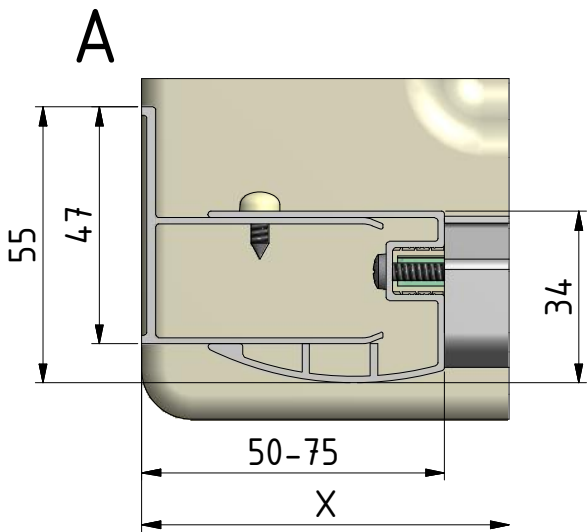
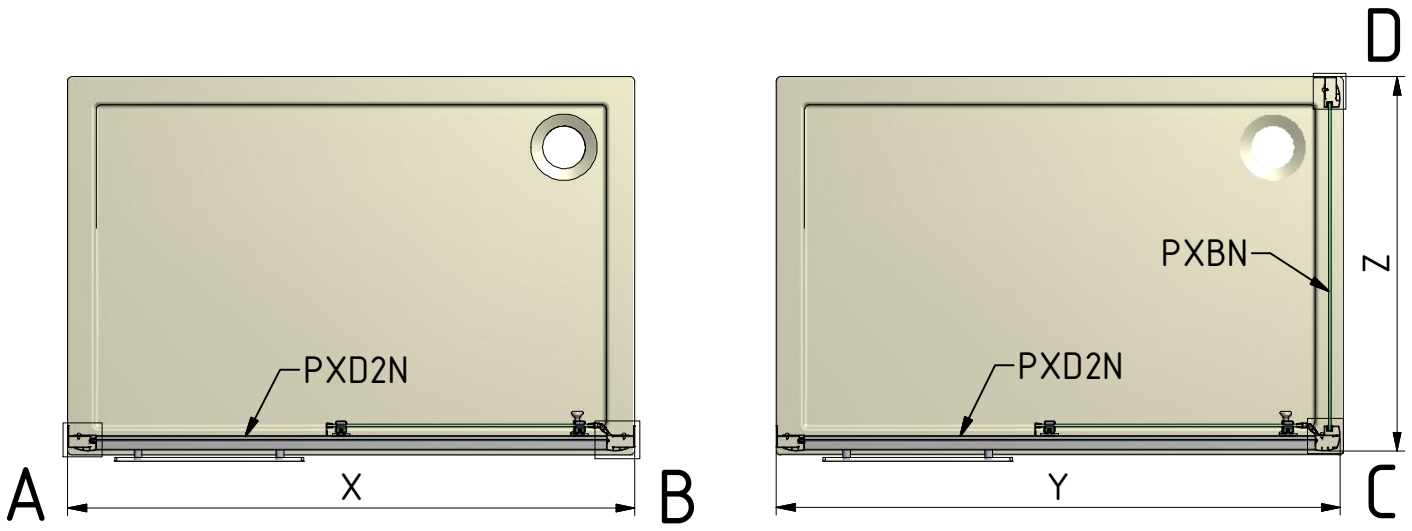


# PXD2N

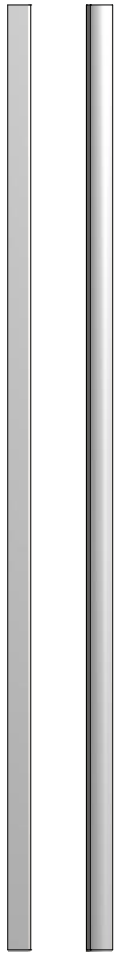




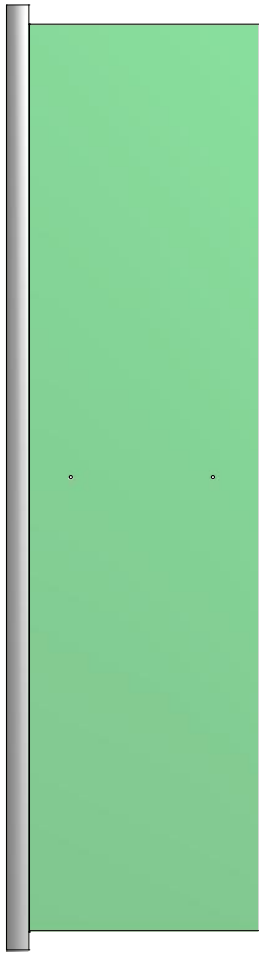
	X	Y
1100	1080-1130	1085-1110
1200	1180-1230	1185-1210
1300	1280-1330	1285-1310
1400	1380-1430	1385-1410
1500	1480-1530	1485-1510
1600	1580-1630	1585-1610

	Z
700	680-705
800	780-805
900	880-905
1000	980-1005

1. 2x (P2860) 2. 1x (P2861)



3. 1x (V152)



4. 1x



5. 1x (MA0853)



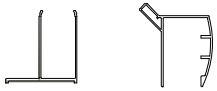
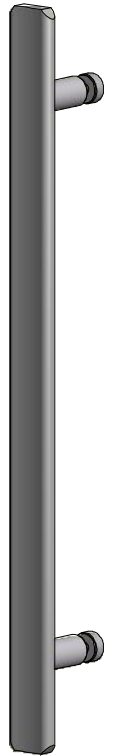
6. 2x (M9024)



7. 1x (MA0852)



11. 1x M9035

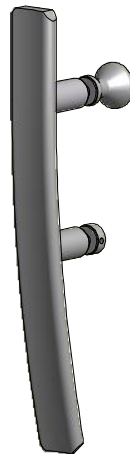


8. 1x (P98)

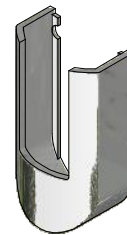


9. 1x (P97)

10. 1x M8824



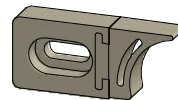
17. 4x MA4693



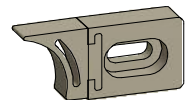
18. 4x MA4694



19. 1x M8906



20. 1x M8907



12. 6x M0511 Ø6



13. 6x M0795 3,5x38



14. 8x M0794 3,5x32



15. 8x M0806 Ø3,5x9,5



16. 12x M1907

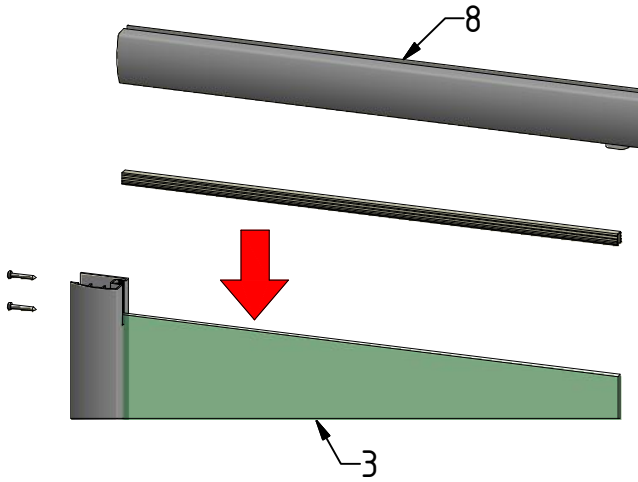


16. 1x M0838 Ø2,8

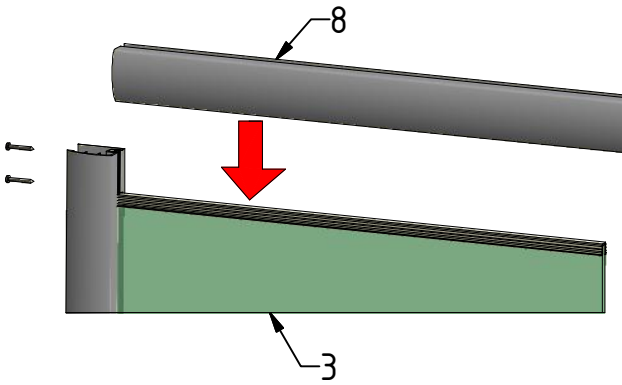


# LEFT VARIANT

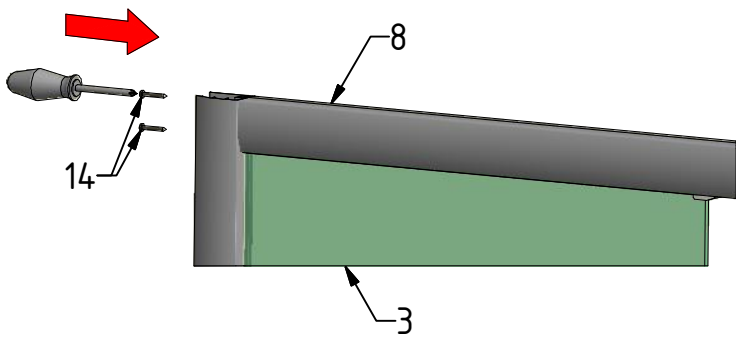
A-1



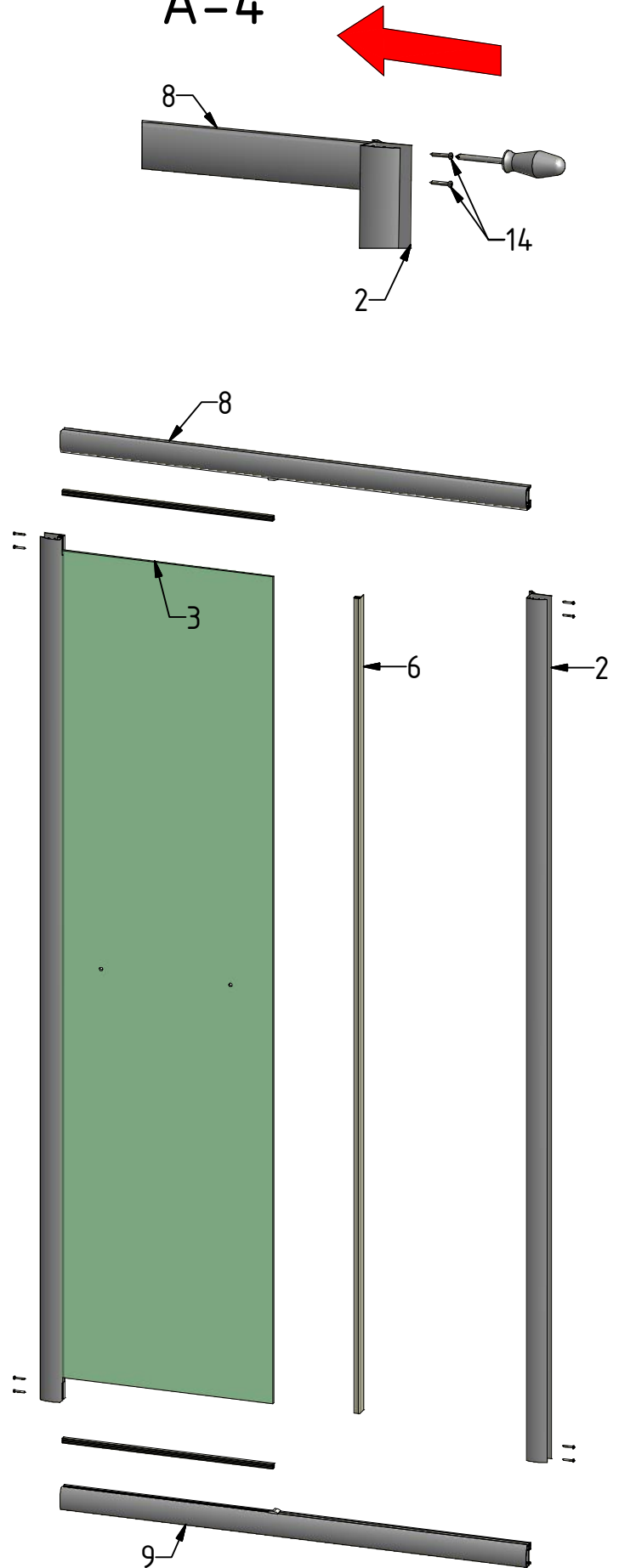
A-2



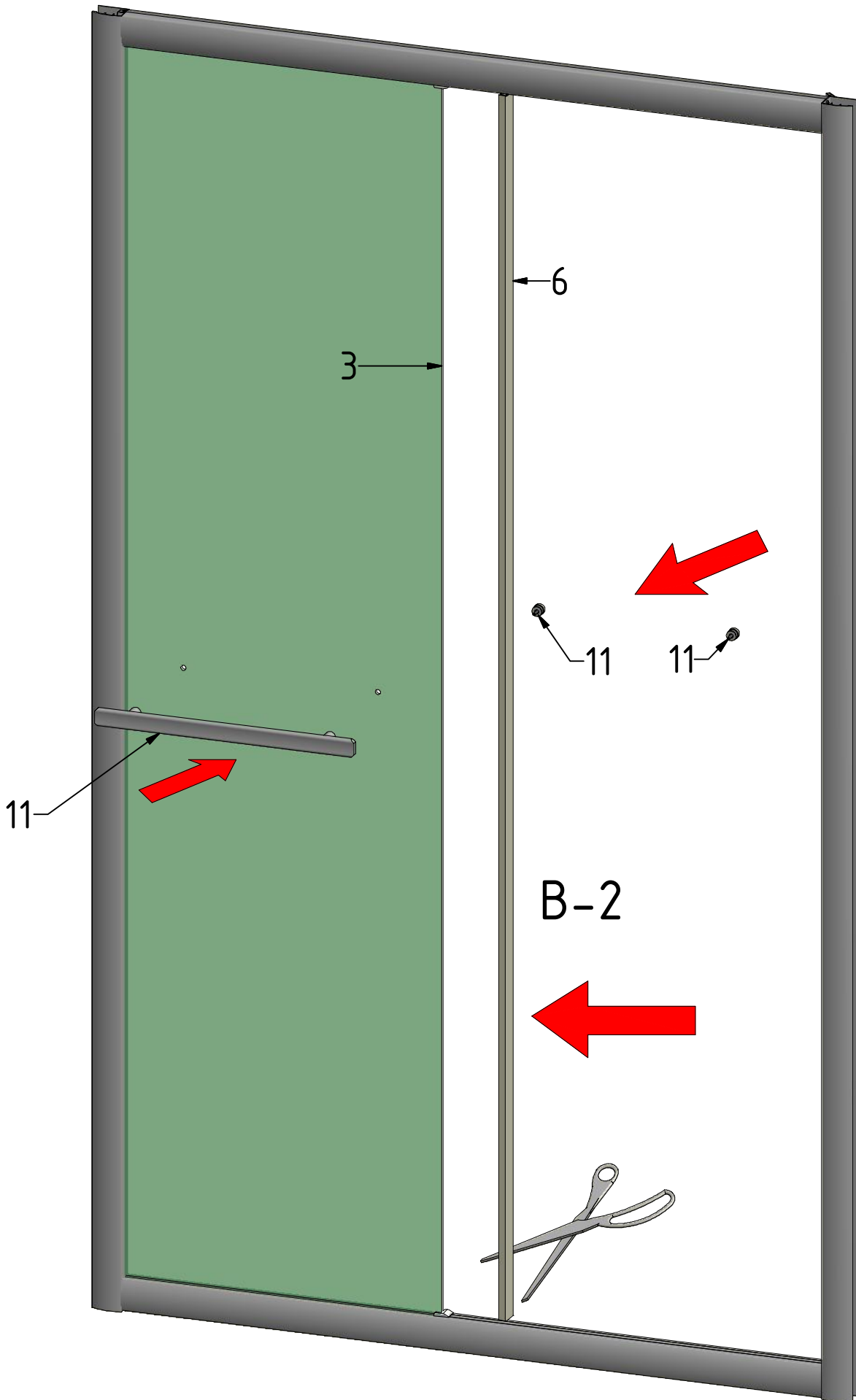
A-3



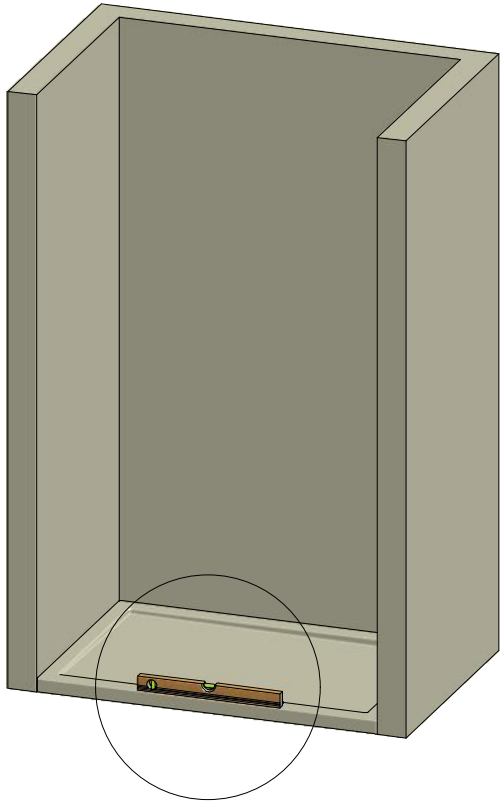
A-4



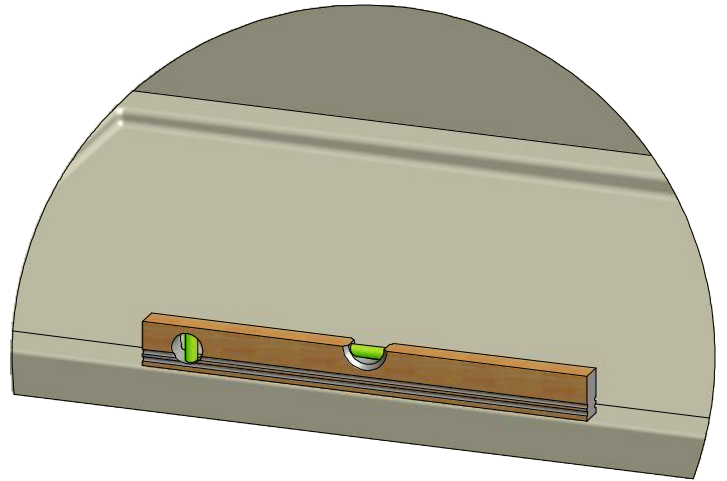
B-1



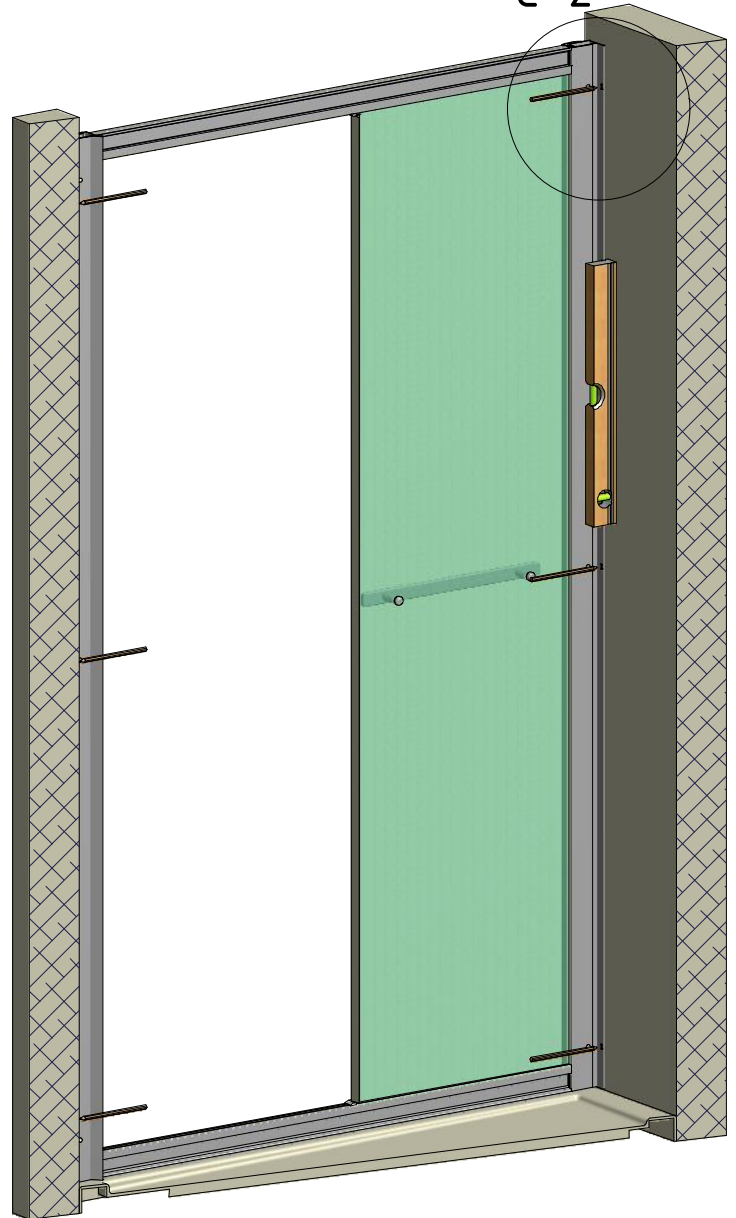
C-1



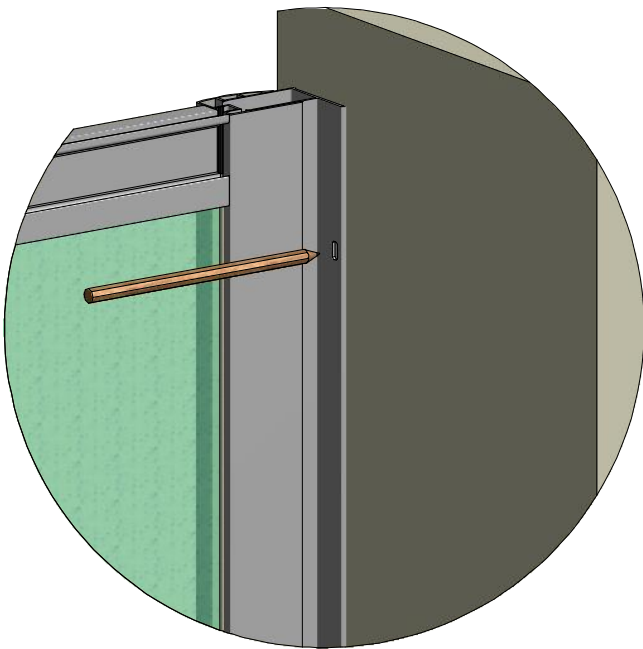
C-1

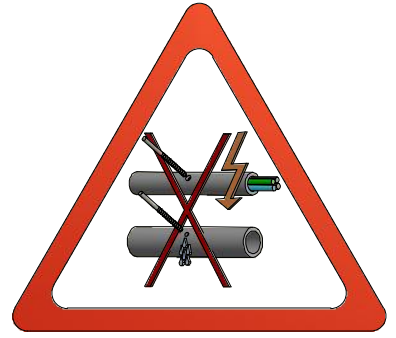
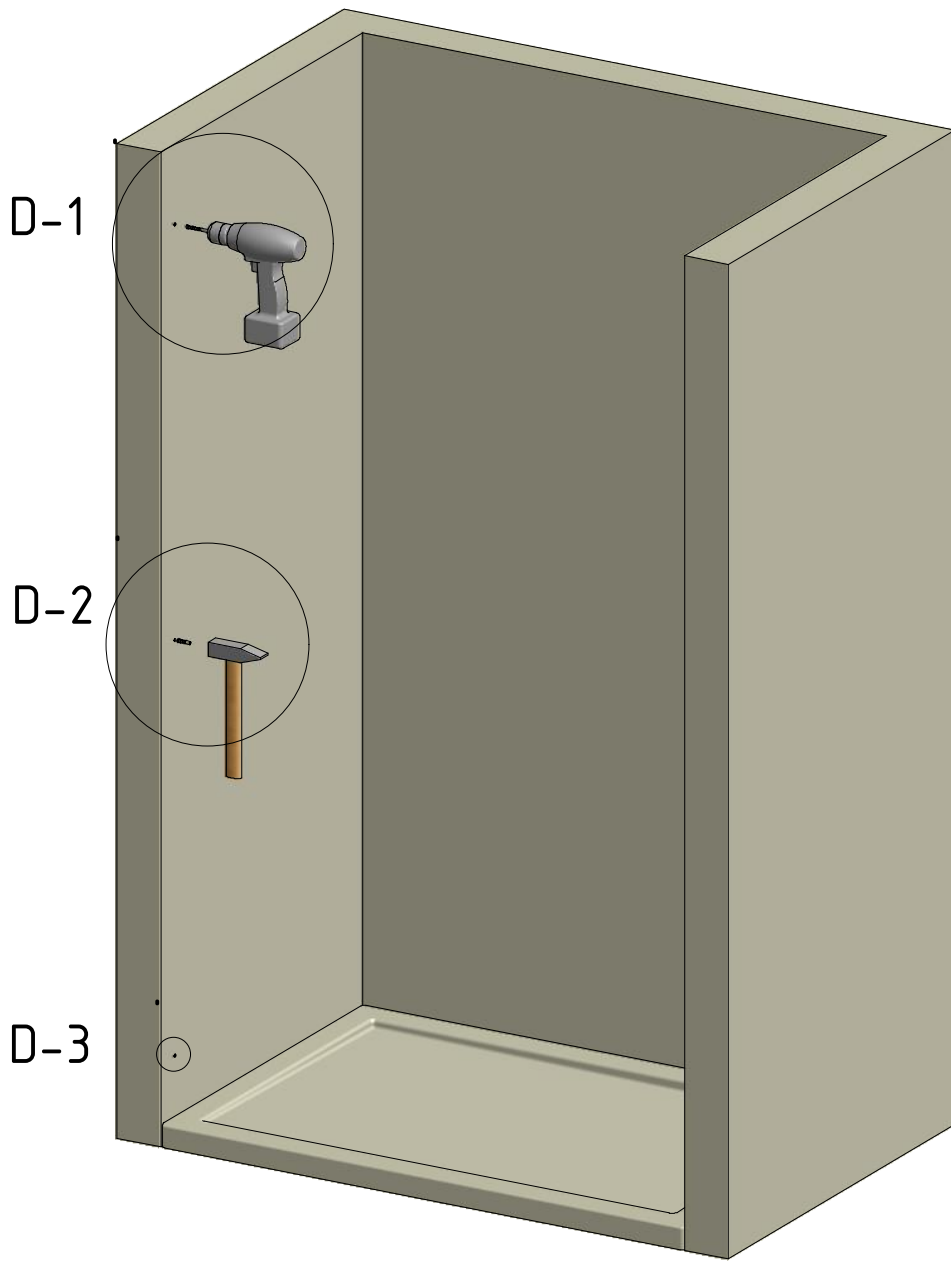


C-2

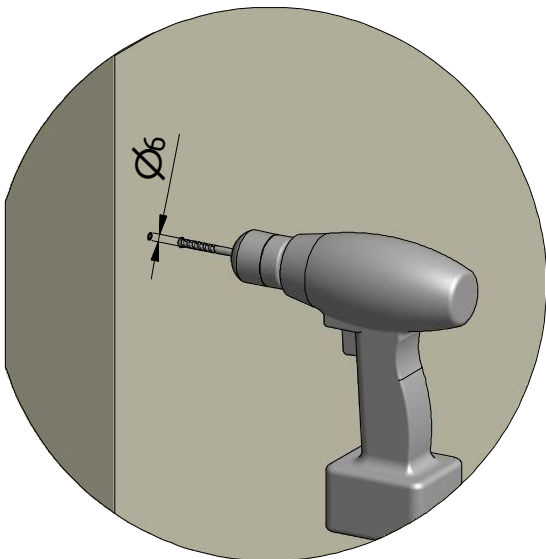


C-2

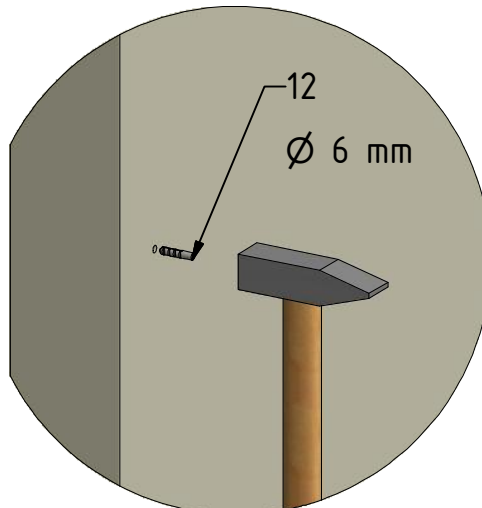




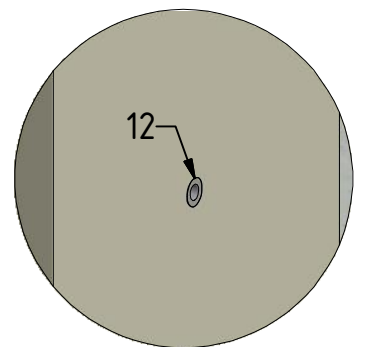
D-1  
6 x

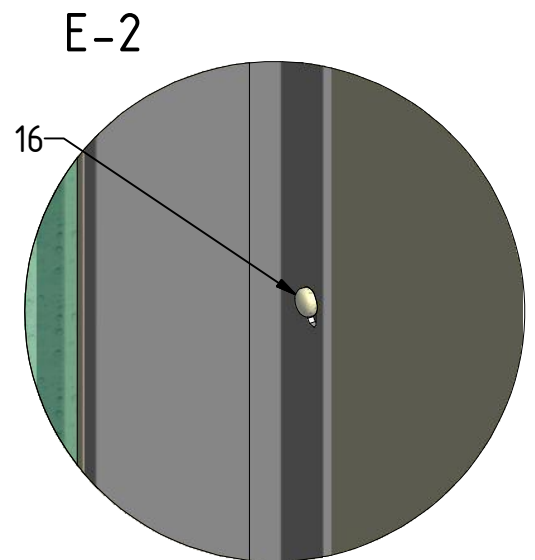
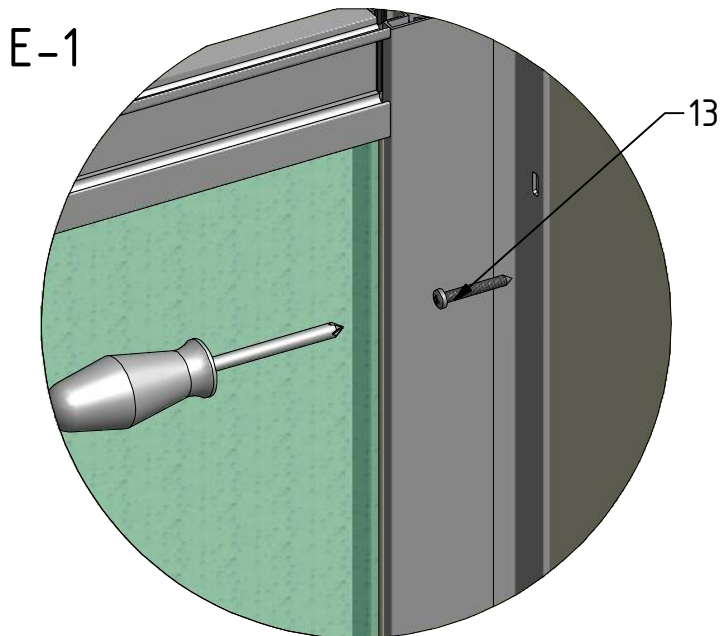
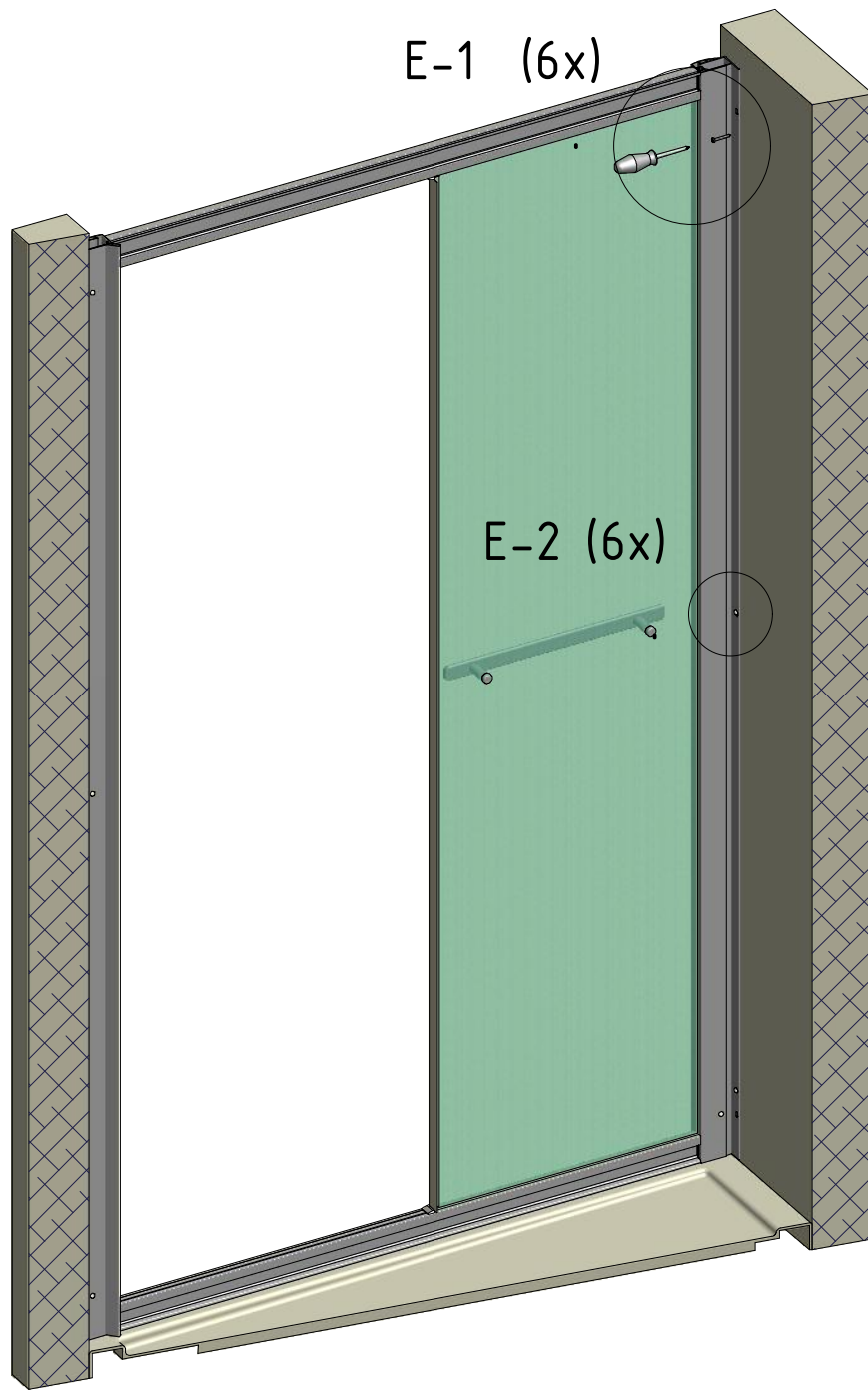


D-2  
6 x



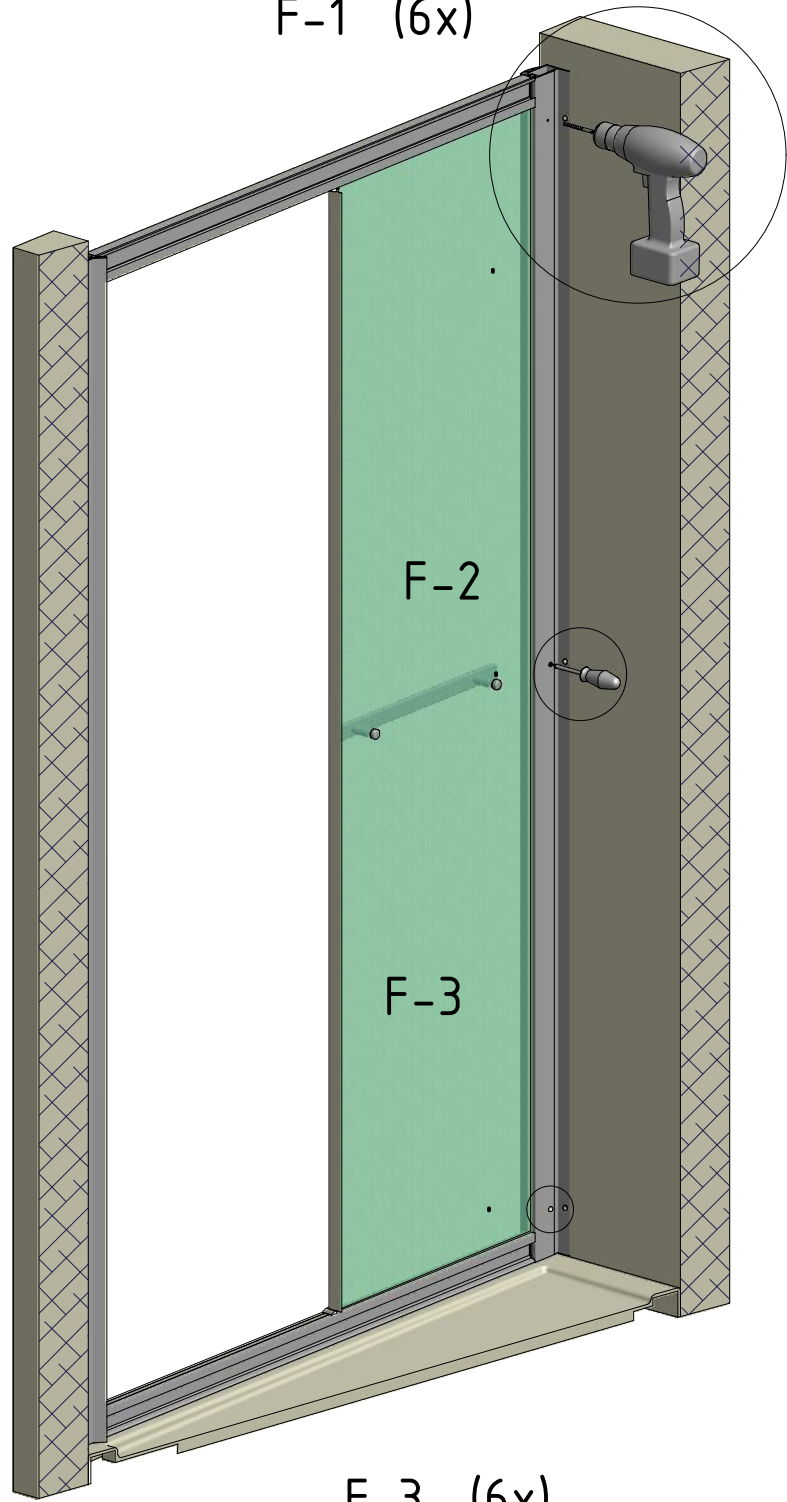
D-3  
6 x



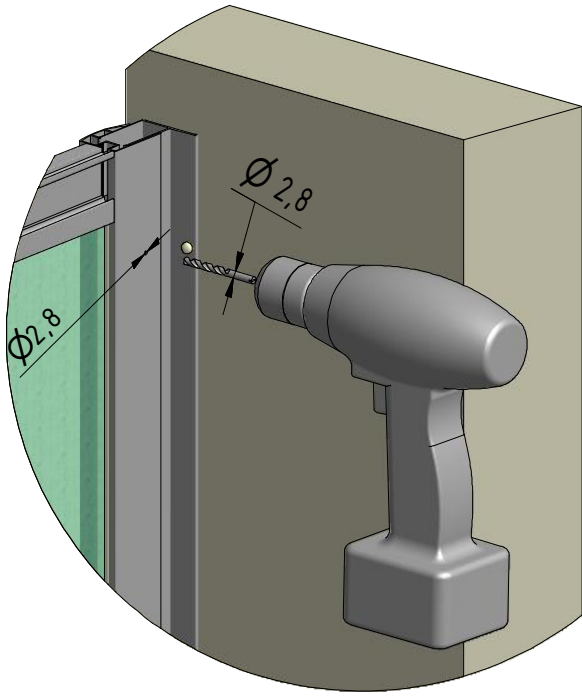




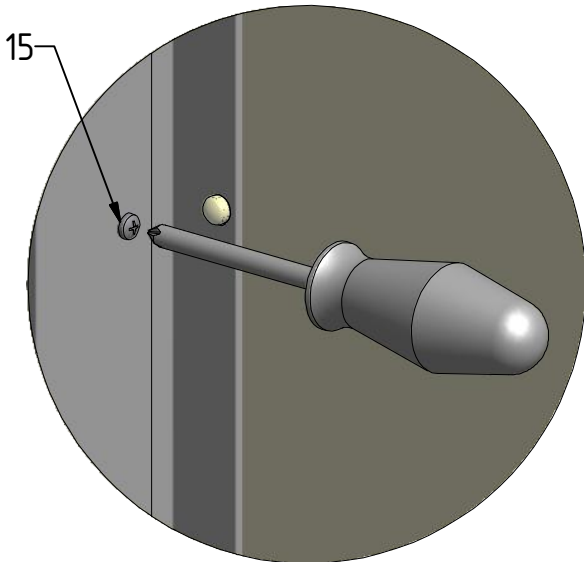
F-1 (6x)



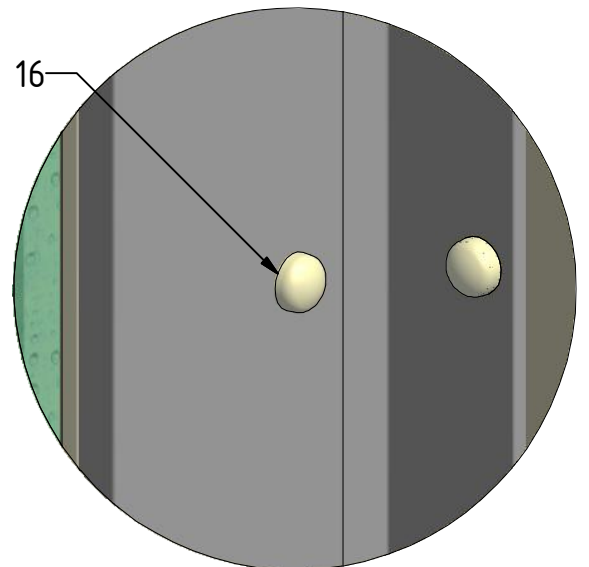
F-1 (6x)

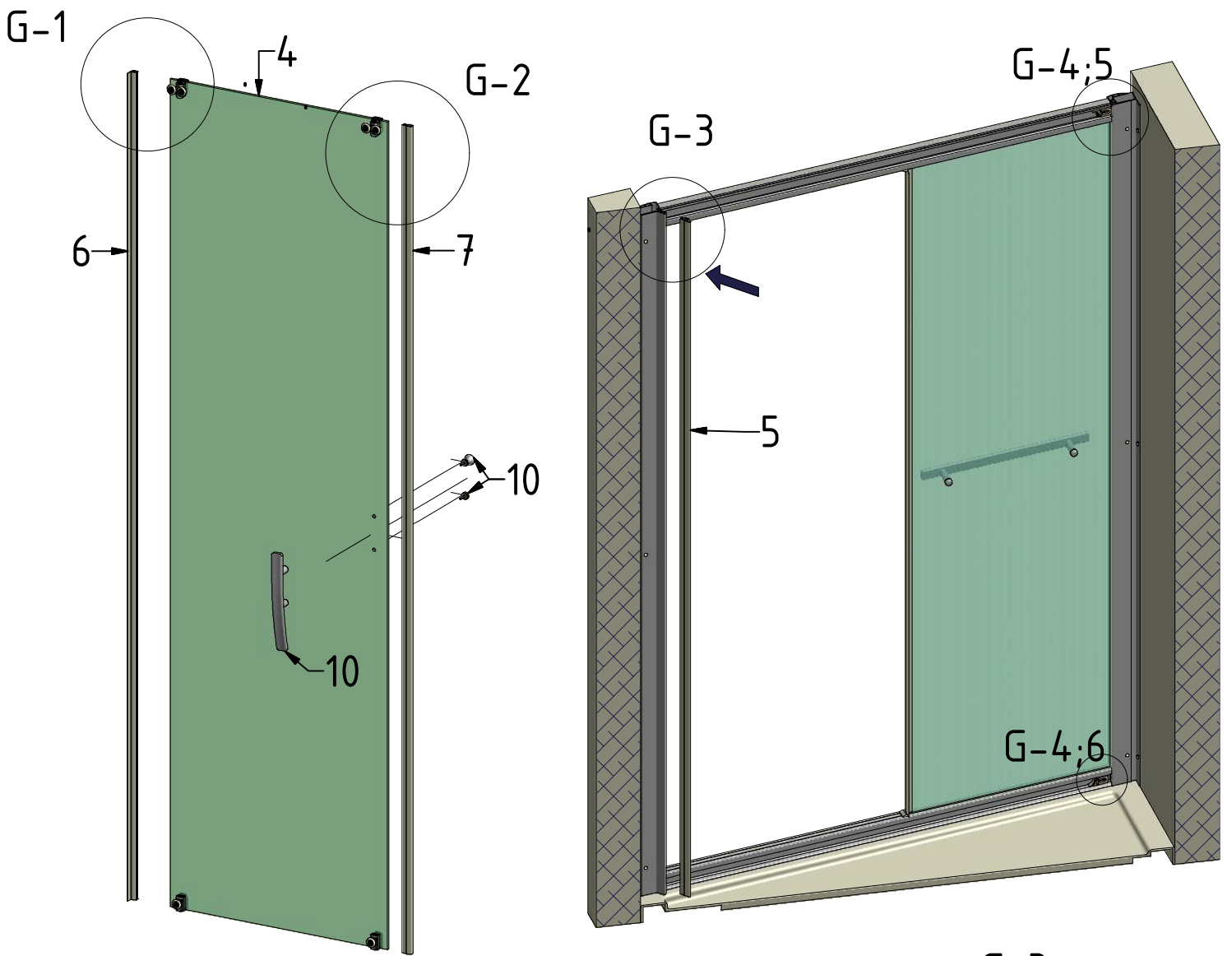


F-2 (6x)



F-3 (6x)

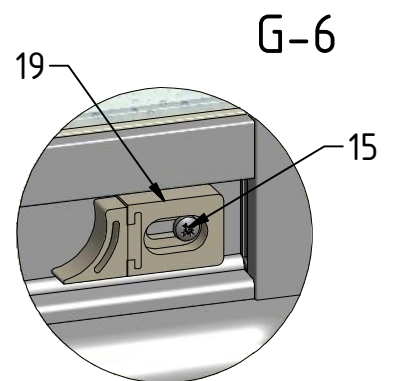
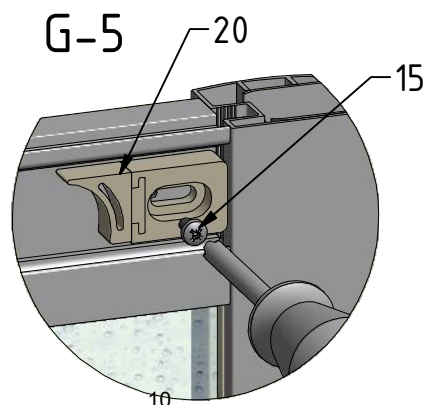
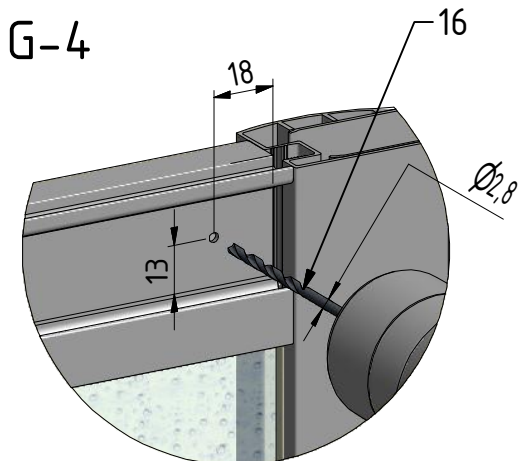
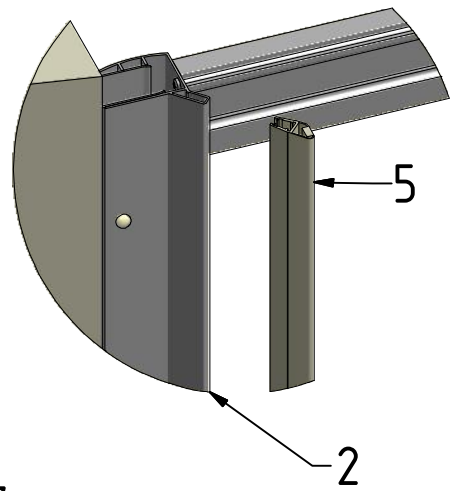
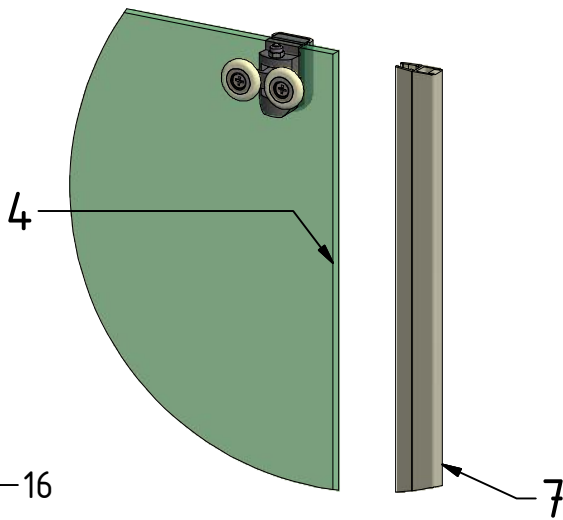
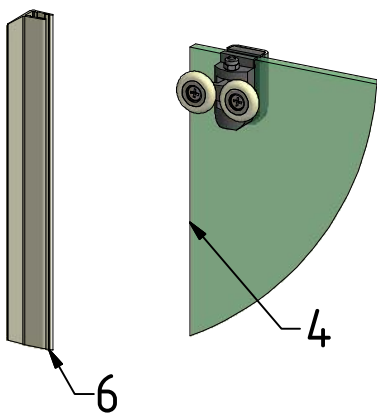


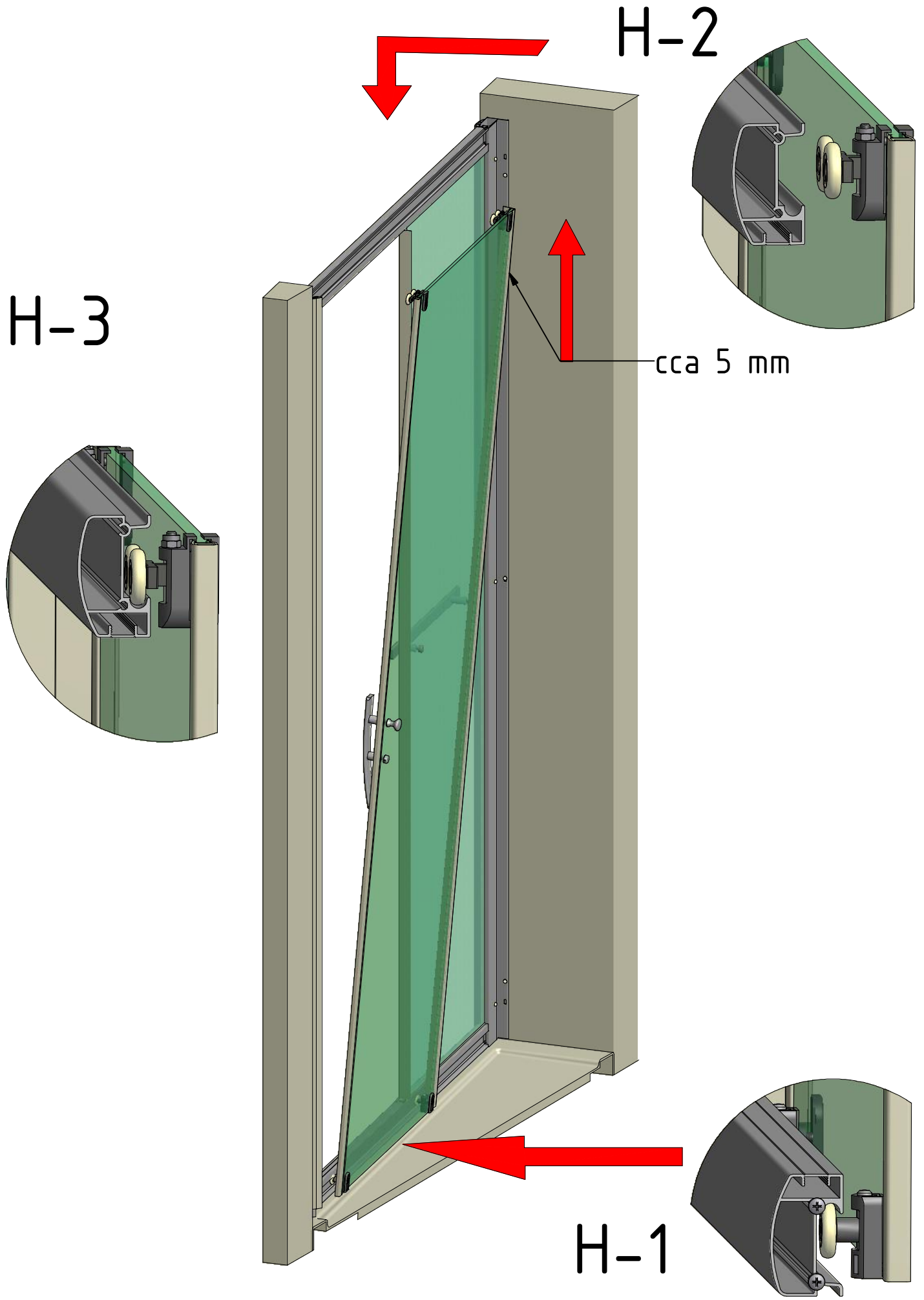


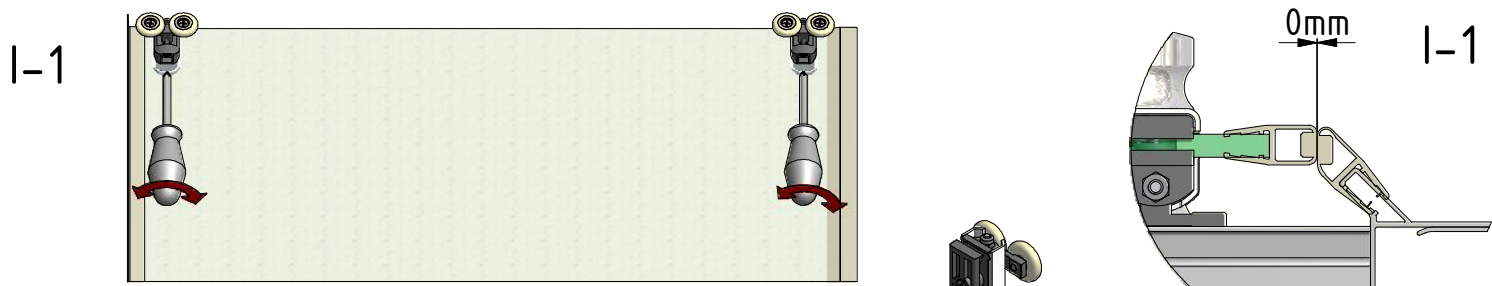
G-1

G-2

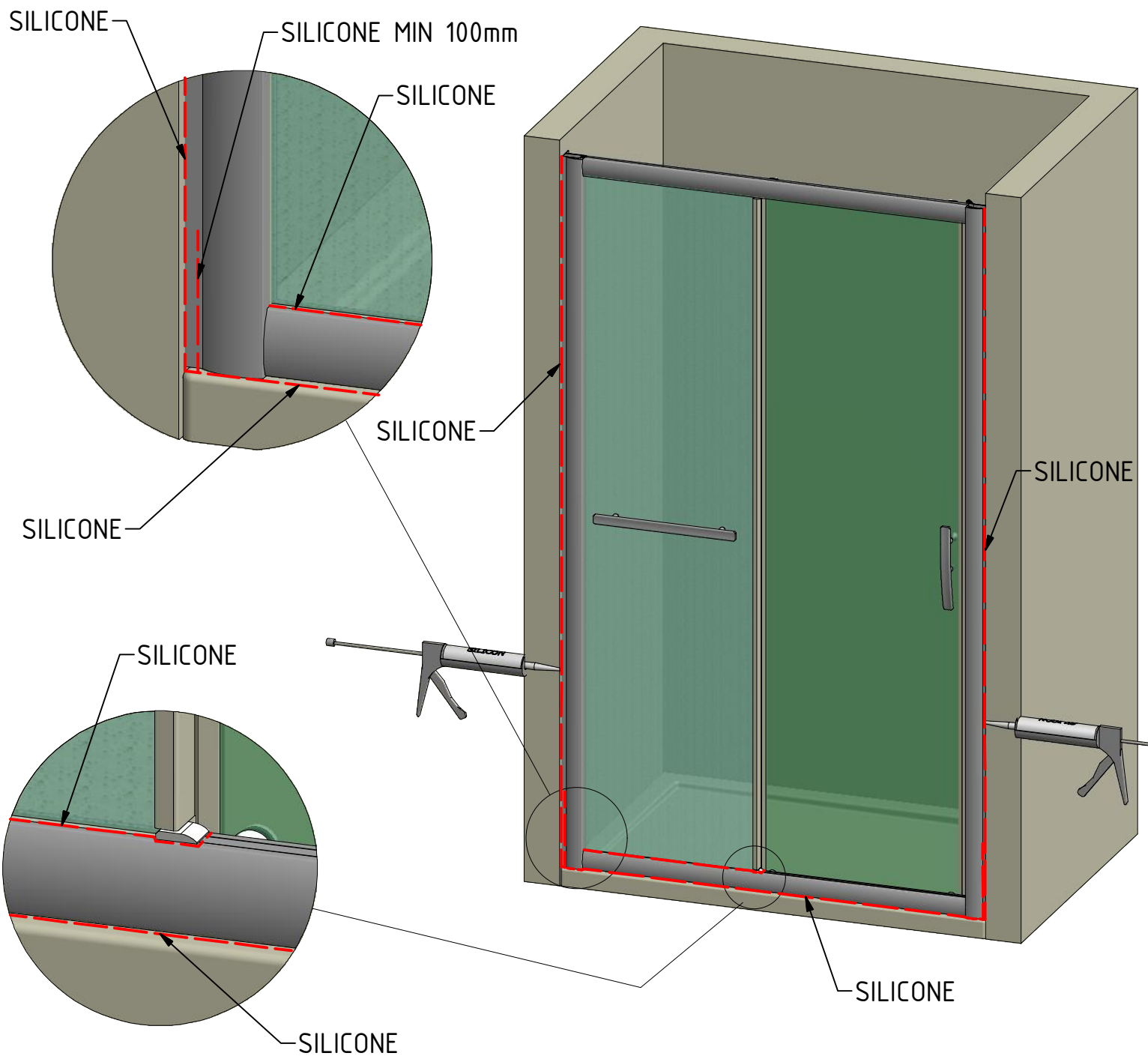
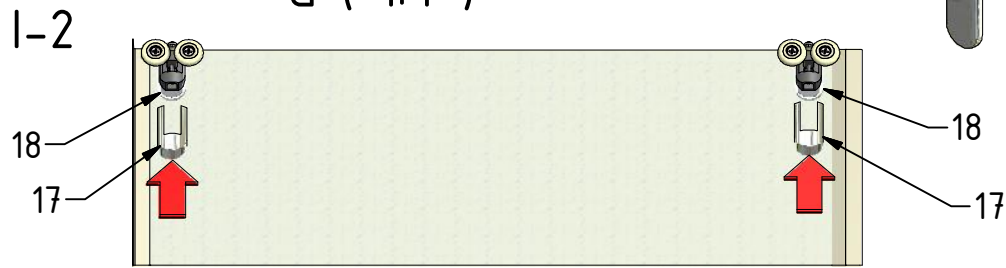
G-3



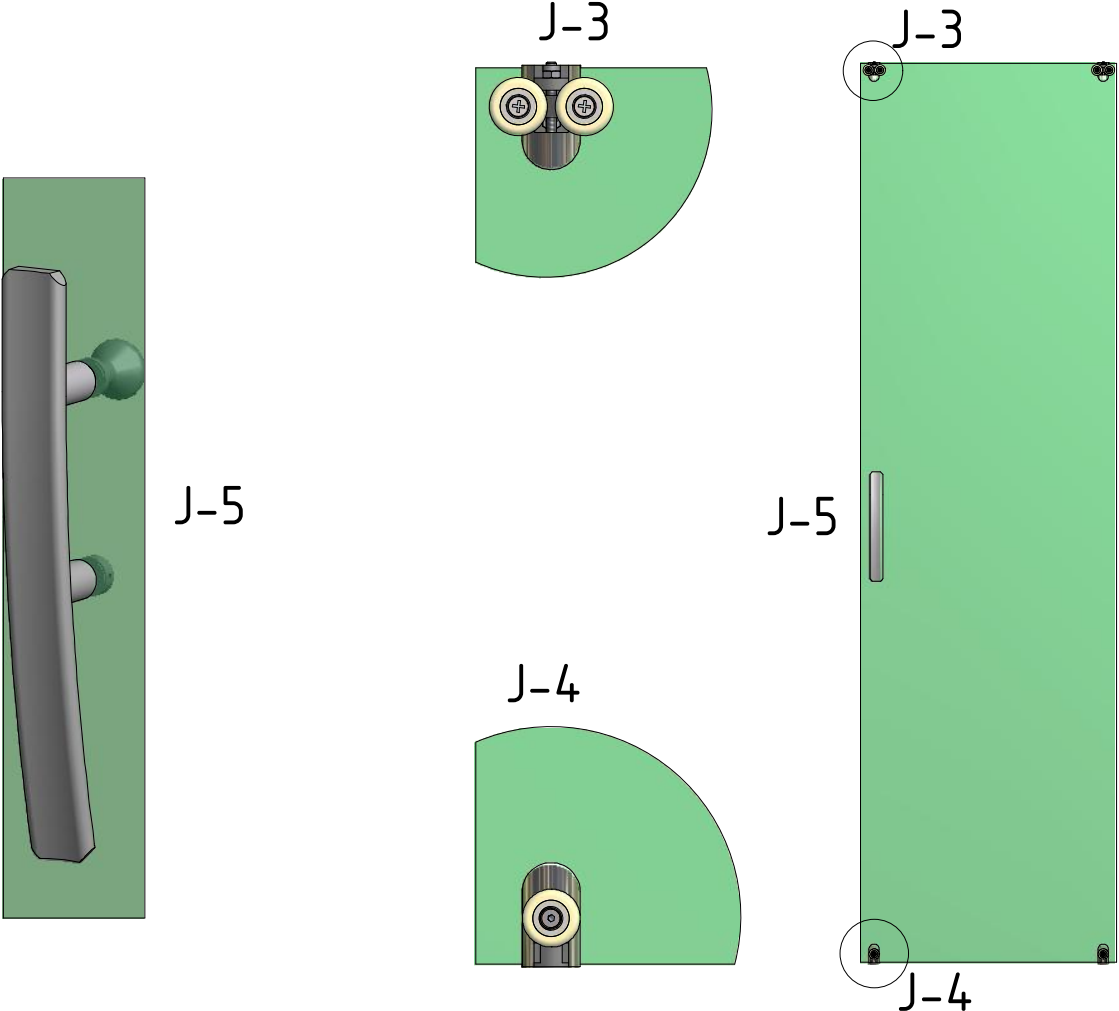
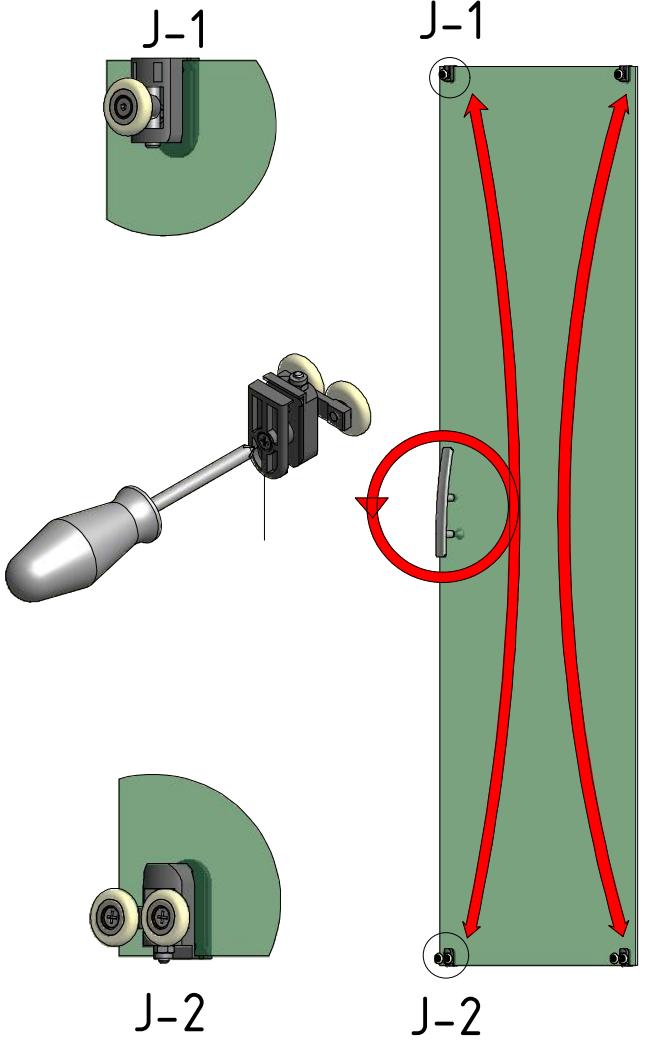


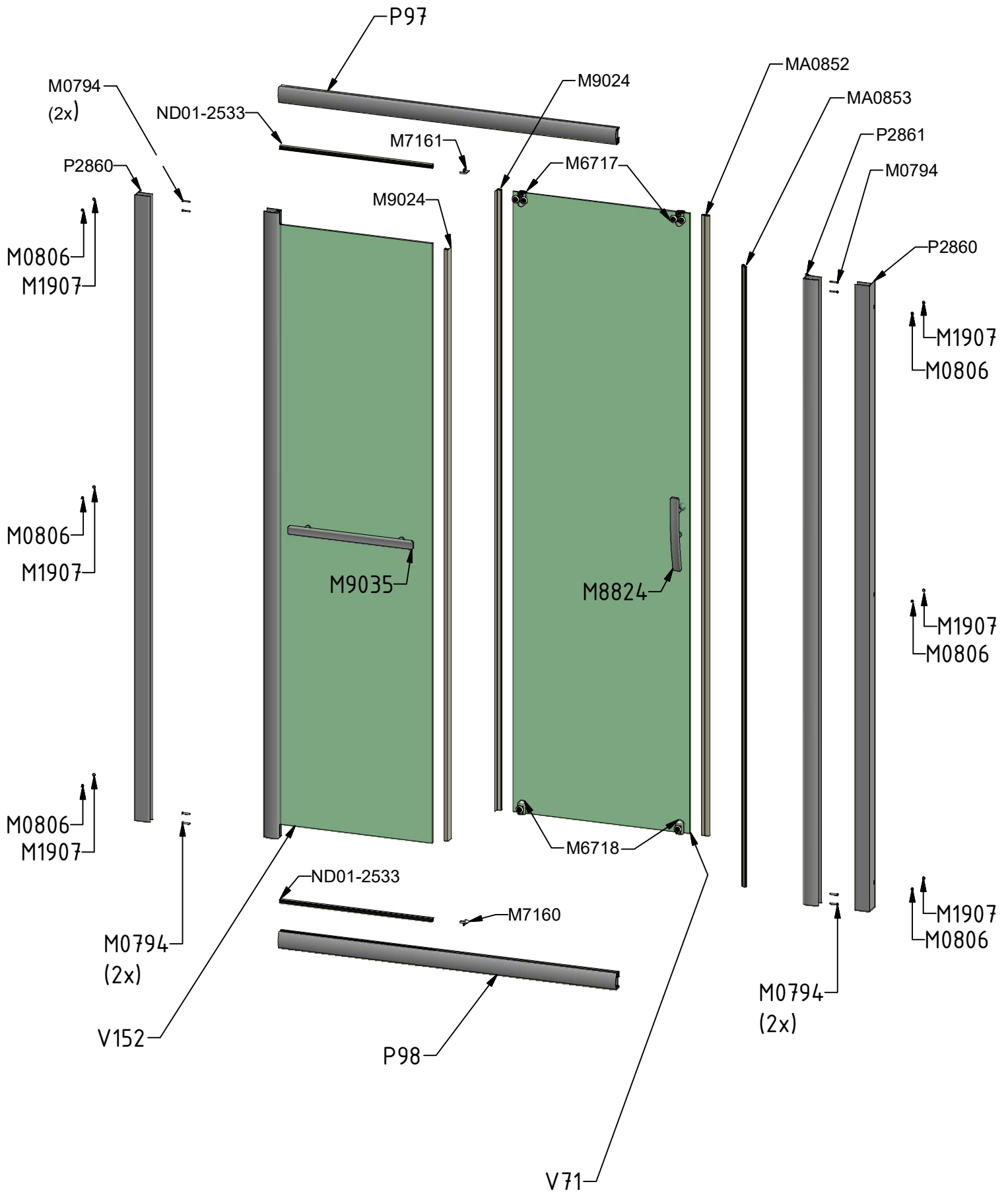


G ( 1:4 )



# RIGHT VARIANT





V152	1100	brillant+clear glass	brillant+transparent	ND03-0789-00-02
		brillant+satinato glass	brillant+satinato	ND03-0789-00-15
	1200	brillant+clear glass	brillant+transparent	ND03-0575-00-02
		brillant+satinato glass	brillant+satinato	ND03-0575-00-15
		brillant+priting glass	brillant+potisk	ND03-0575-00-17
	1300	brillant+clear glass	brillant+transparent	ND03-0576-00-02
		brillant+satinato glass	brillant+satinato	ND03-0576-00-15
	1400	brillant+clear glass	brillant+transparent	ND03-0577-00-02
		brillant+satinato glass	brillant+satinato	ND03-0577-00-15
	1500	brillant+clear glass	brillant+transparent	ND03-0578-00-02
		brillant+satinato glass	brillant+satinato	ND03-0578-00-15
	1600	brillant+clear glass	brillant+transparent	ND03-0579-00-02
		brillant+satinato glass	brillant+satinato	ND03-0579-00-15

V71	1100	clear glass	transparent	ND02-0830-00-02
		satinato glass	satinato	ND02-0830-00-15
	1200	clear glass	transparent	ND02-0581-00-02
		satinato glass	satinato	ND02-0581-00-15
		priting glass	potisk	ND02-0581-00-17
	1300	clear glass	transparent	ND02-0582-00-02
		satinato glass	satinato	ND02-0582-00-15
	1400	clear glass	transparent	ND02-0583-00-02
		satinato glass	satinato	ND02-0583-00-15
	1500	clear glass	transparent	ND02-0647-00-02
		satinato glass	satinato	ND02-0647-00-15
	1600	clear glass	transparent	ND02-0648-00-02
		satinato glass	satinato	ND02-0648-00-15

P97	1100			P5154
	1200			P2864
	1300			P2866
	1400			P2868
	1500			P2947
	1600			P2995

P98	1100			P5155
	1200			P2865
	1300			P2867
	1400			P2869
	1500			P2948
	1600			P2996