

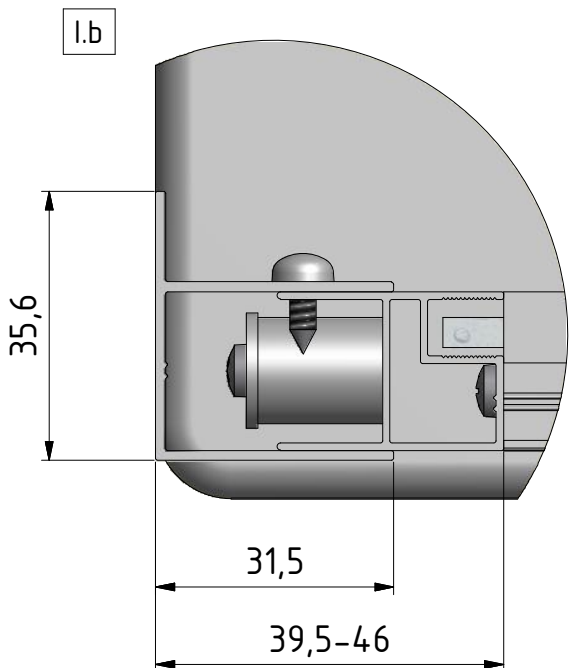
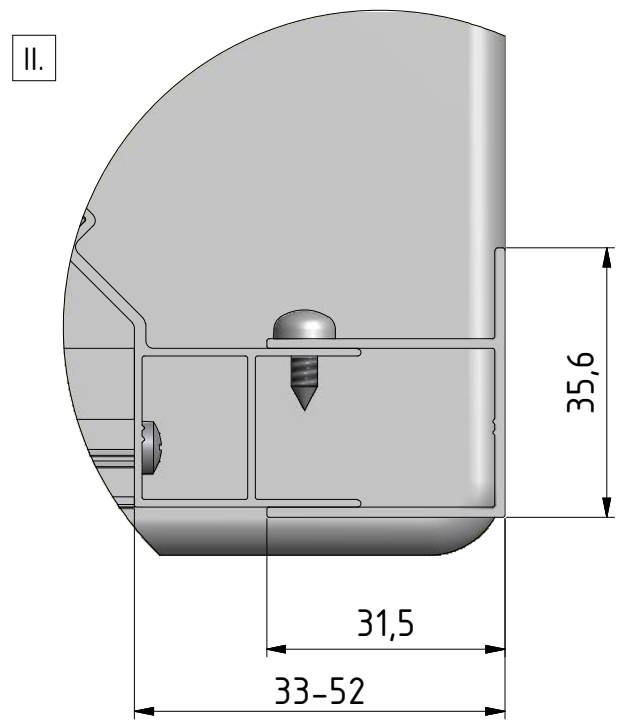
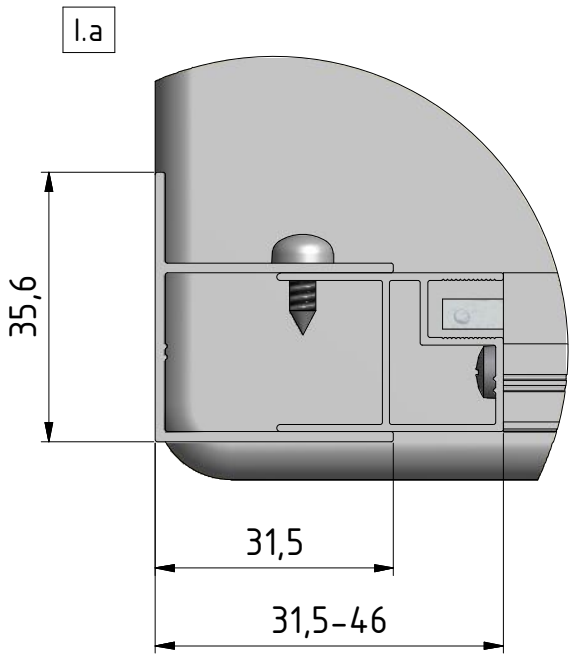
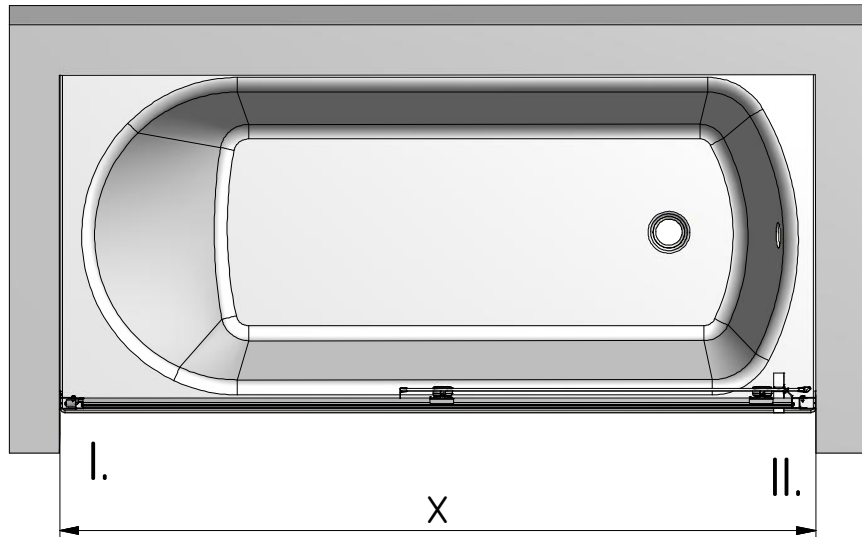
LLV2



Rf c@: ^&@s.r.o.; Czech Republic, 56933 Třebořov 160,
Tel.: +420 461 324 301/302
http://www.roc@: ^&@; e-mail: objednavky@roc@: ^&@cz

2019/02/05

Rev.:01
MA4598



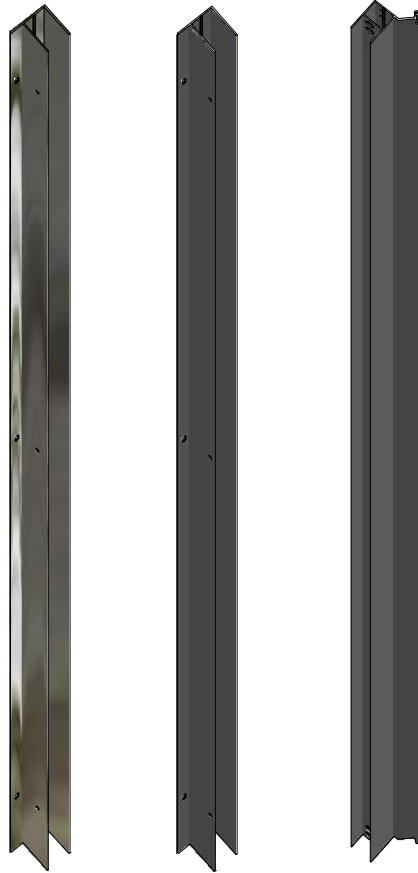
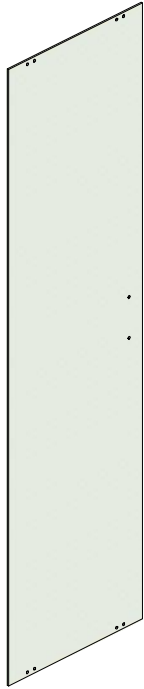
| | Xa (MIN-MAX) | Xb (MIN-MAX) |
|------|--------------|--------------|
| 1200 | 1170-1205 | 1178-1205 |
| 1400 | 1370-1405 | 1378-1405 |
| 1500 | 1470-1505 | 1478-1505 |
| 1600 | 1570-1605 | 1578-1605 |

3. 1x (P3896) 7. 1x (P3897) 9. 1x (P3899)

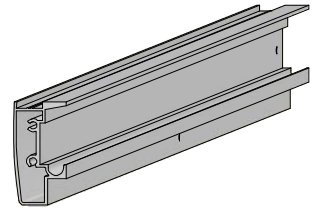
1. 1x
V182



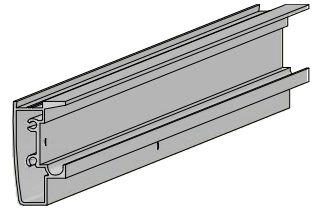
2. 1x
V183



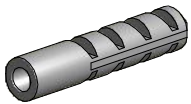
8A. 1x (P168)



8B. 1x (P169)



4. 6x (M0511)



5. 3x (M0795)



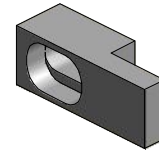
6. 12x (MA0511)



10. 8x (M0790)



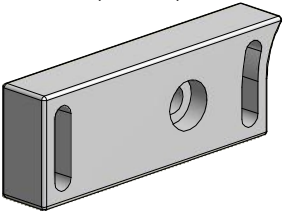
11. 2x (MA0064)



12. 10x (M0806)



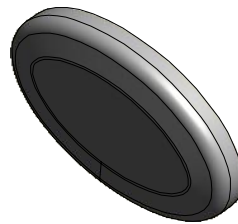
13. 2x (M5425)



15. 1x (M0838)



14. 4x
(MA3119)



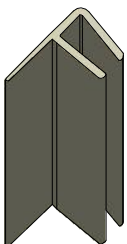
22. 1x (MA2331)



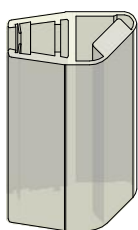
25. 3x (M0790)



17. 1x+1x
(P3902;P3903)



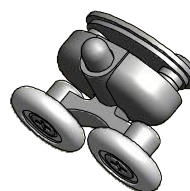
18. 1x (P3904)



20. 2x (M9886)

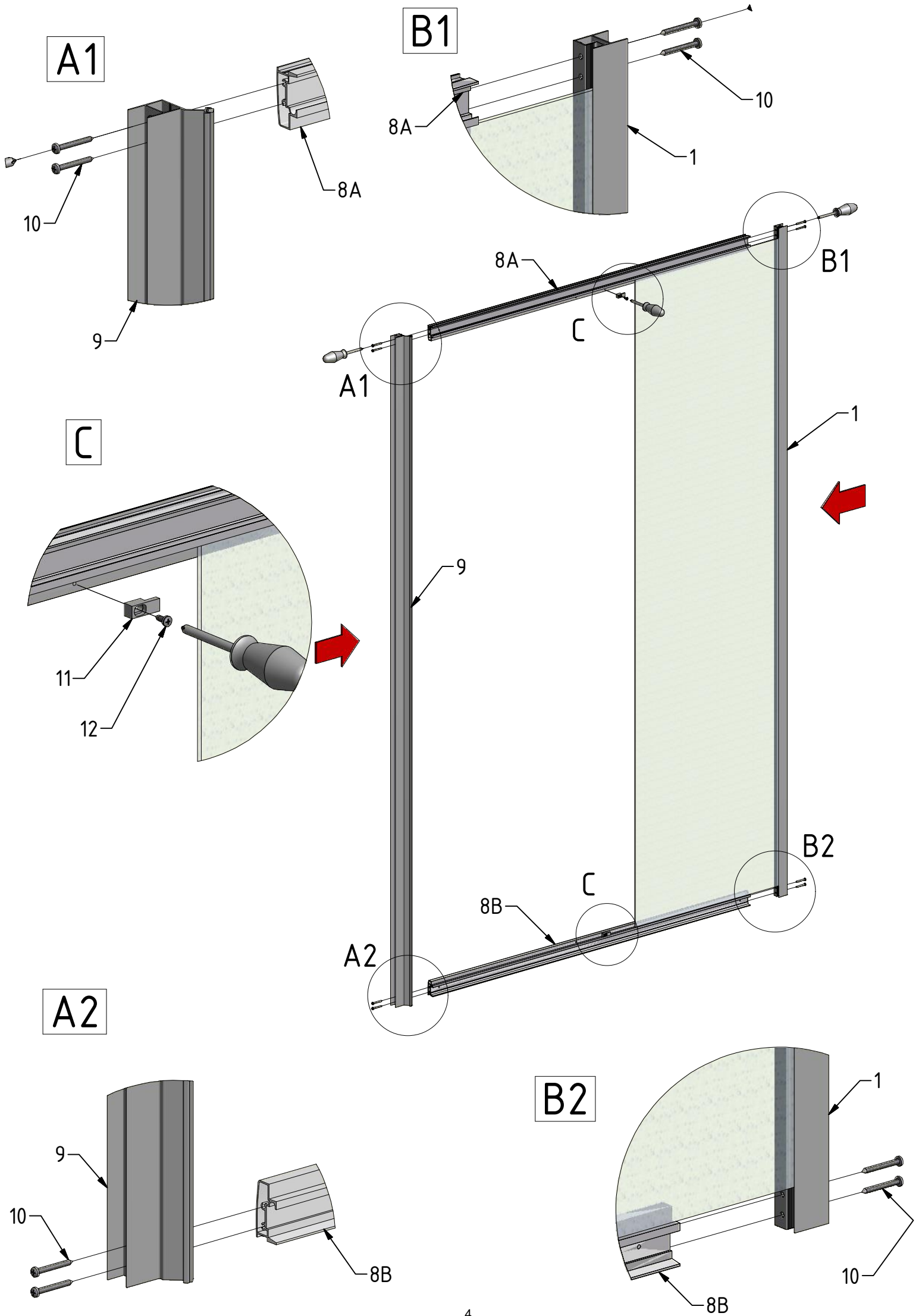


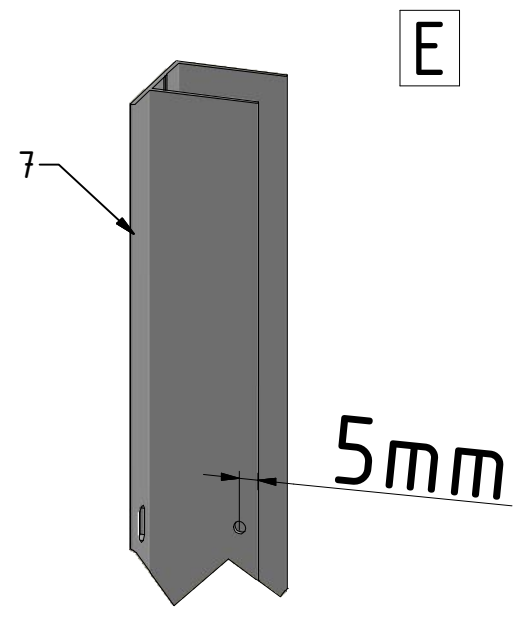
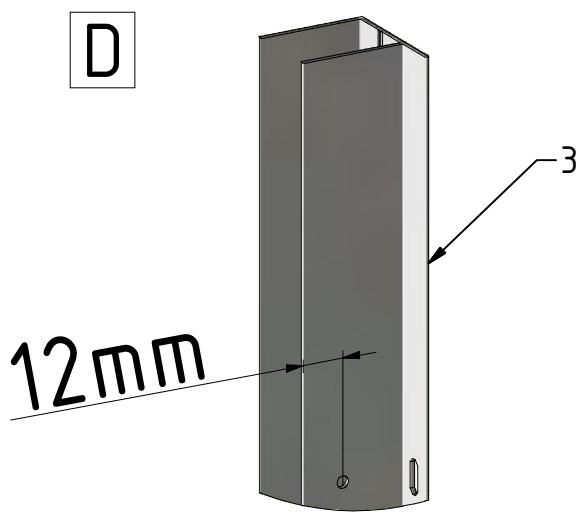
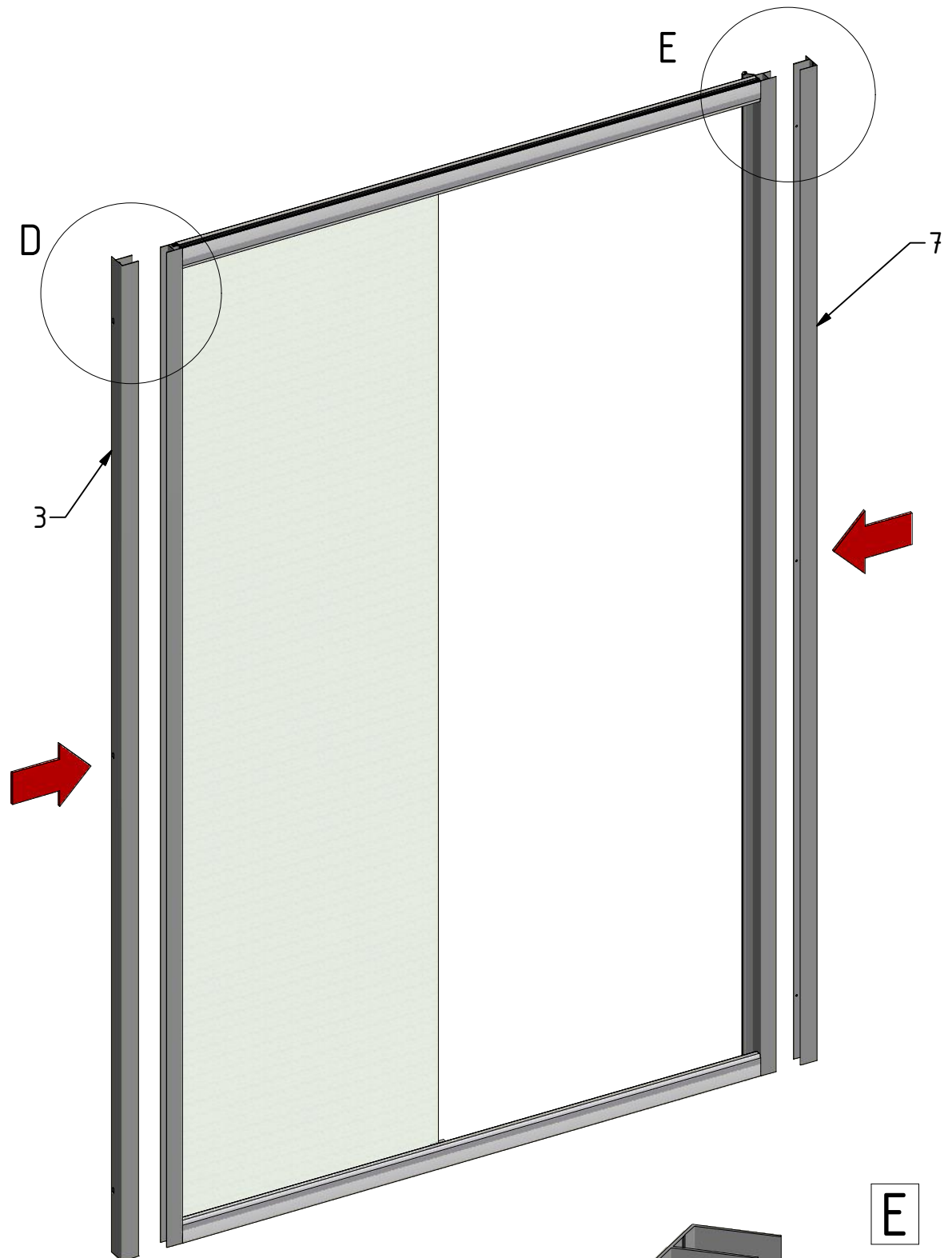
21. 2x (MA1870)

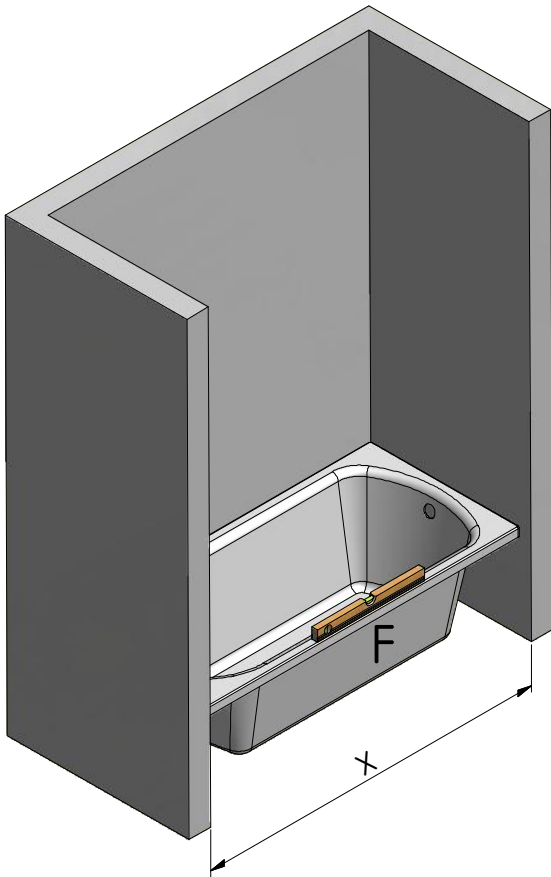


28. 1x (M0341)

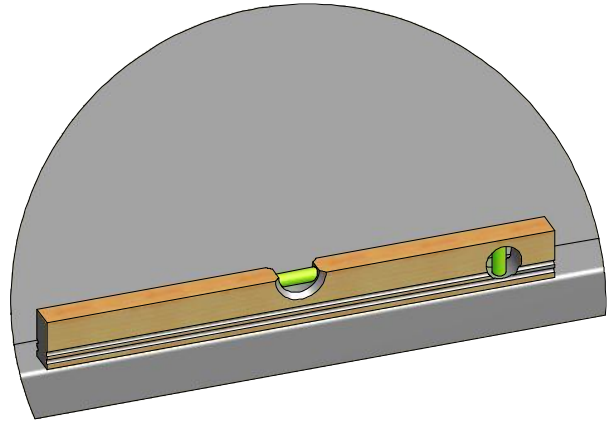
ROLTECHNIK



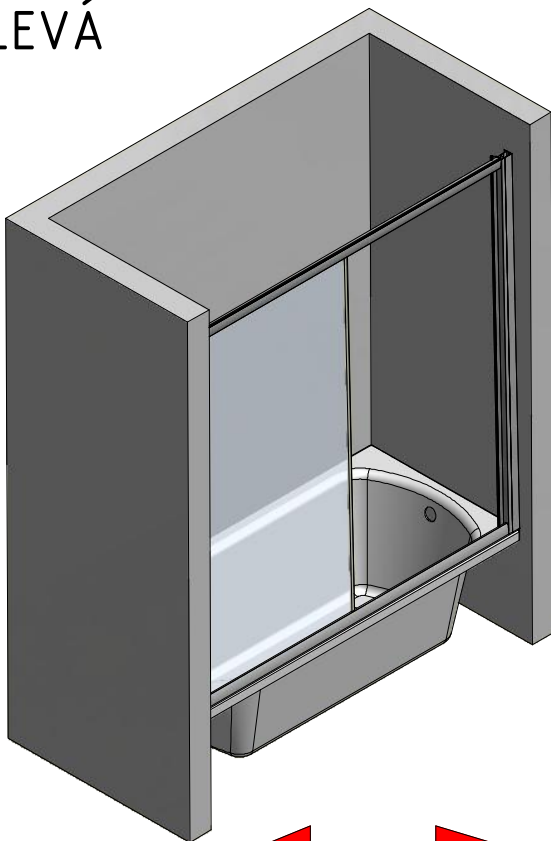




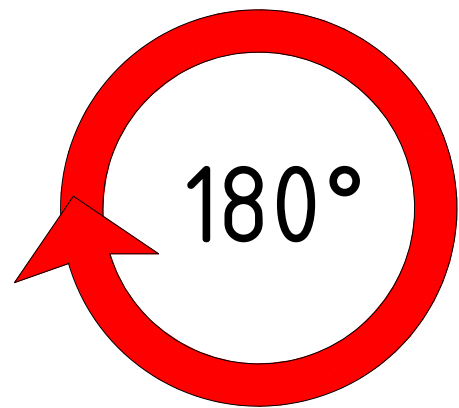
F



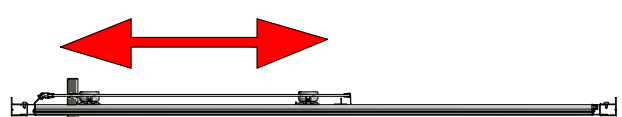
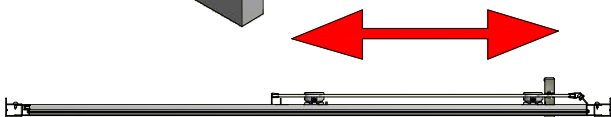
LEVÁ

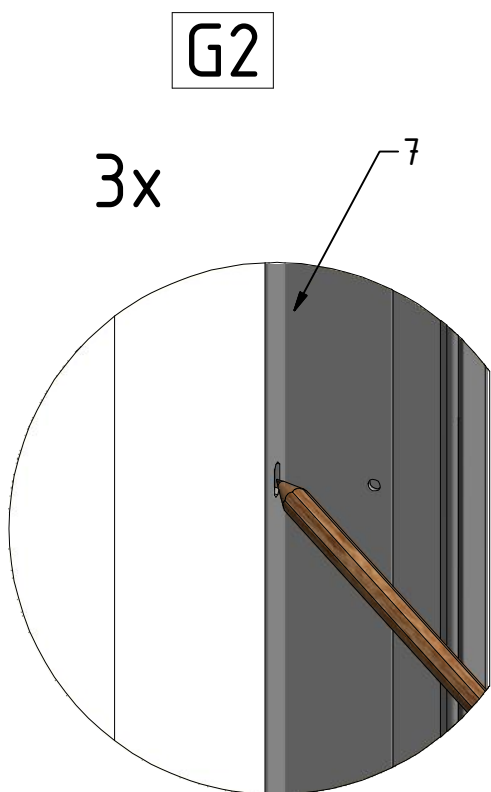
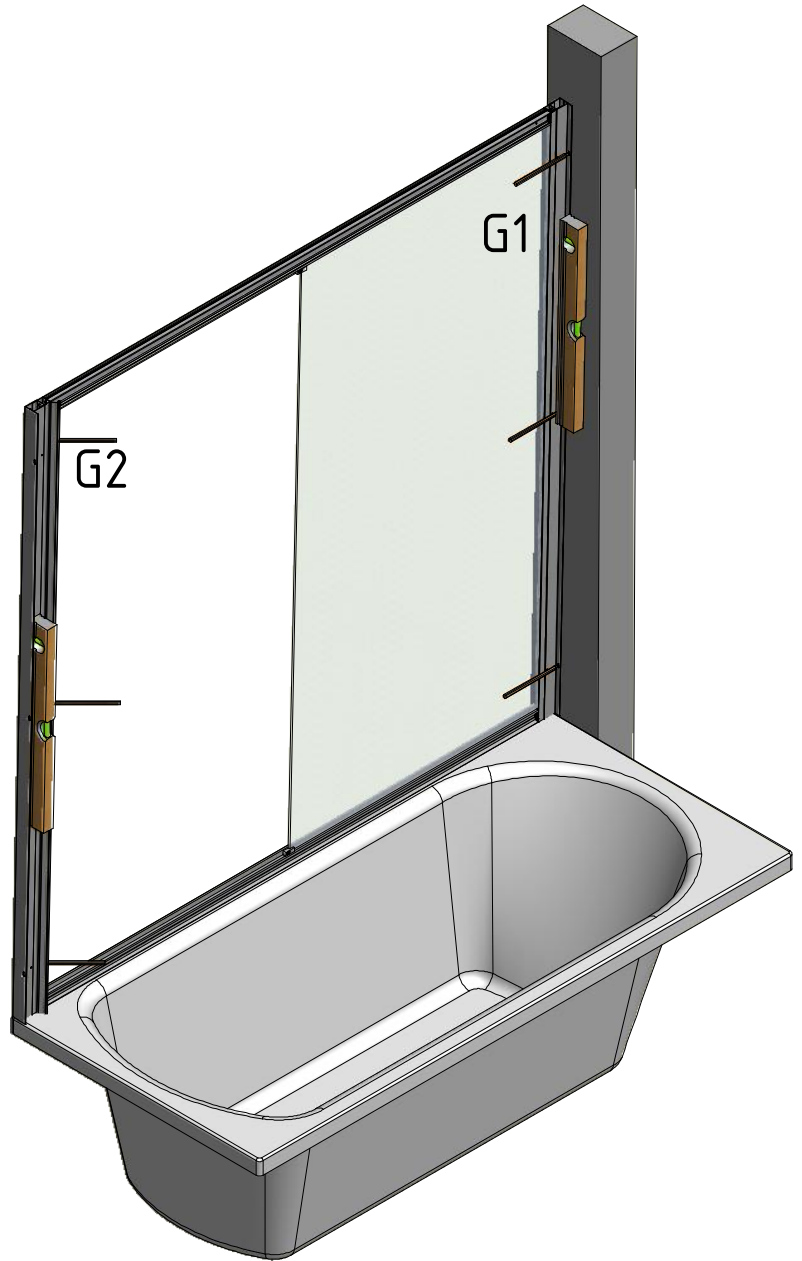
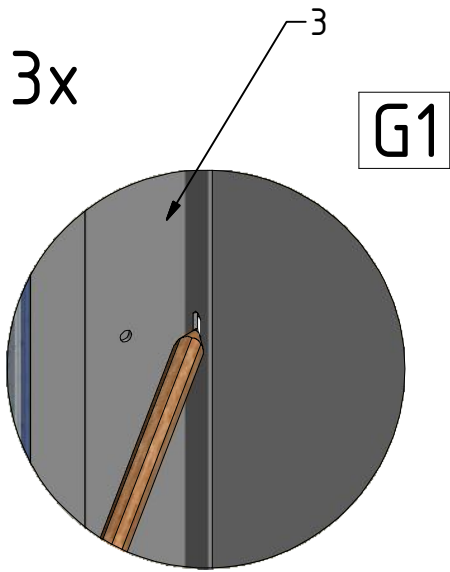


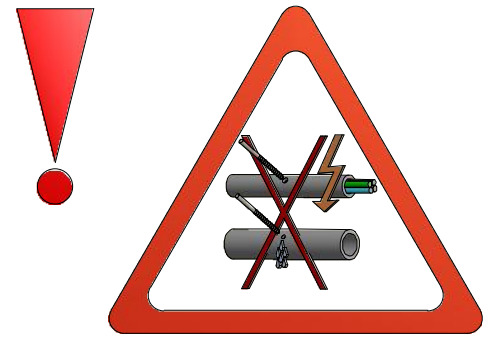
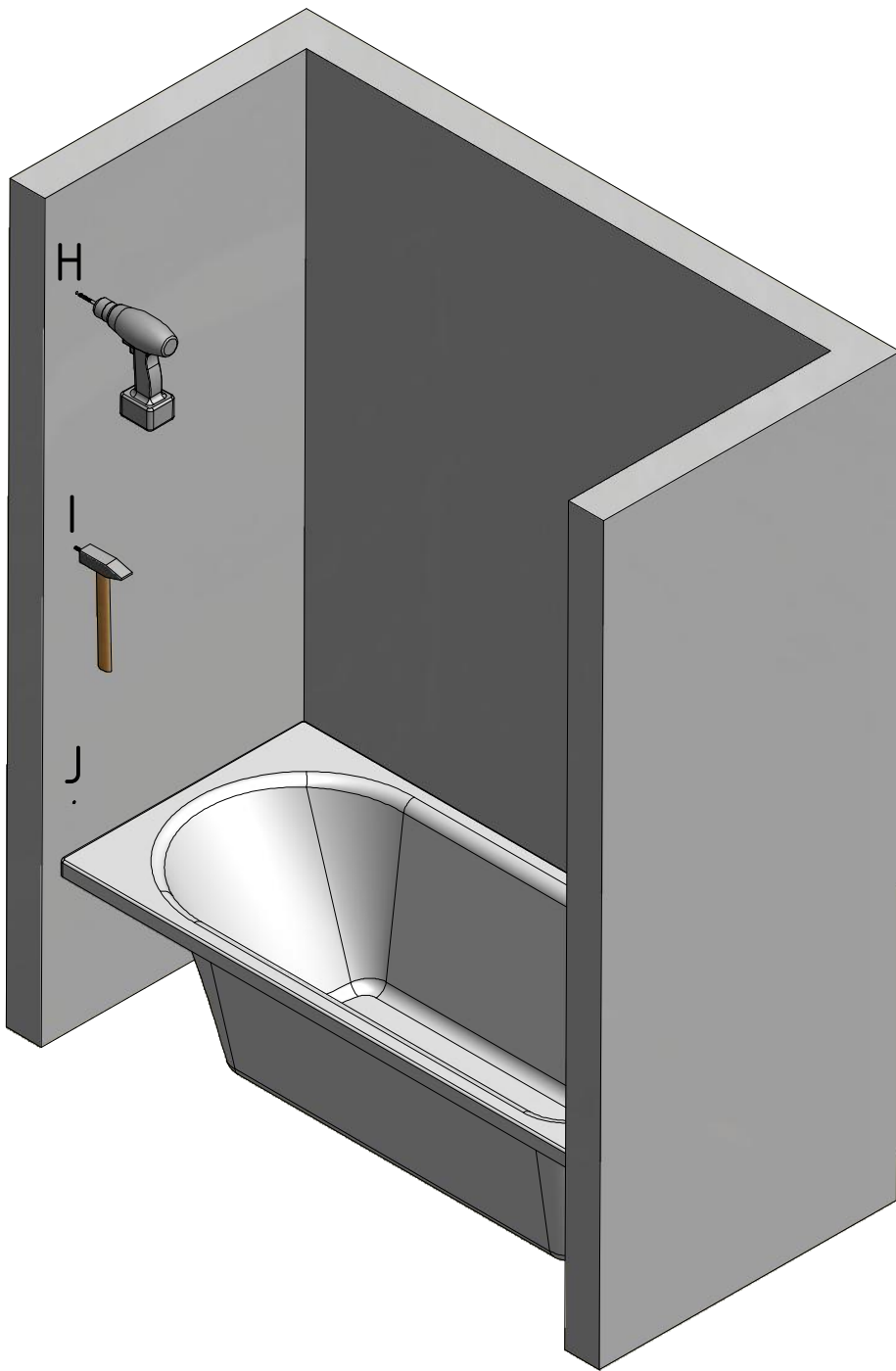
PRAVÁ



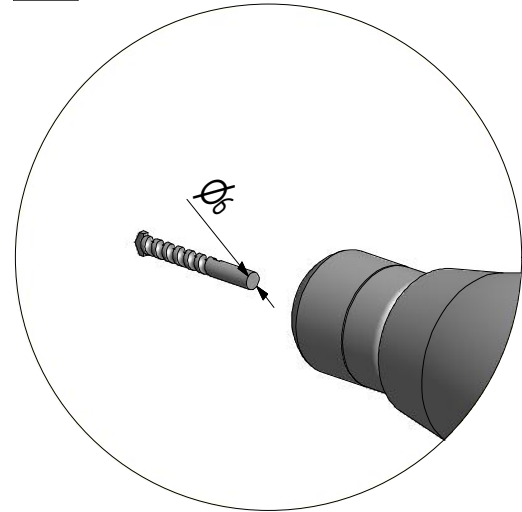
Smontovaný rám s pevným sklem otočit o 180°



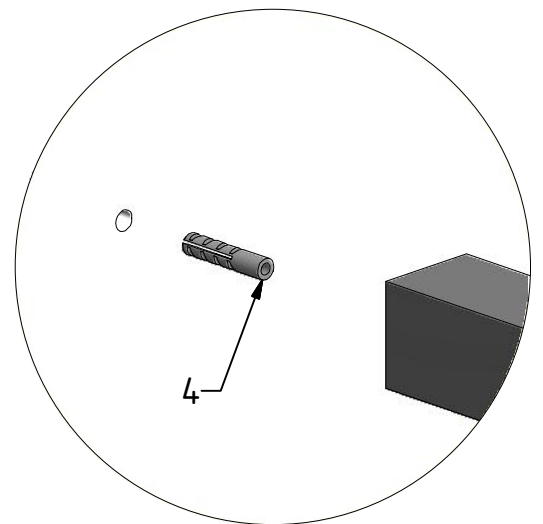




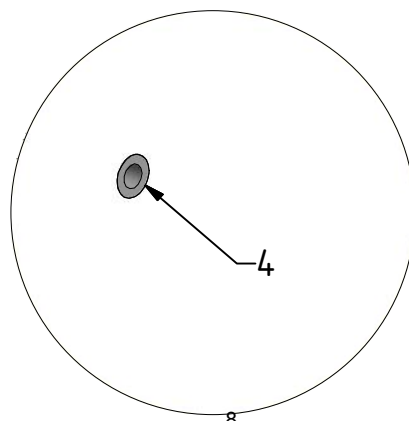
H 6x

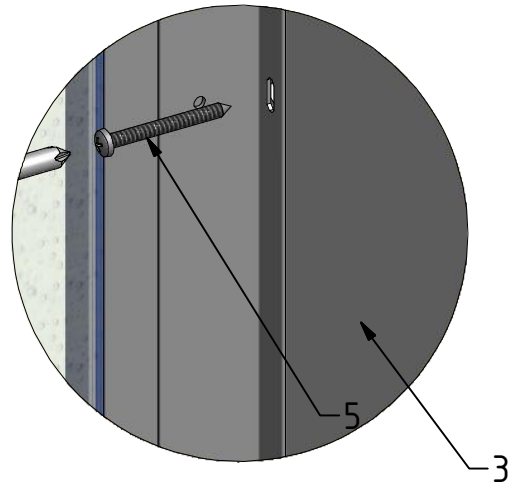
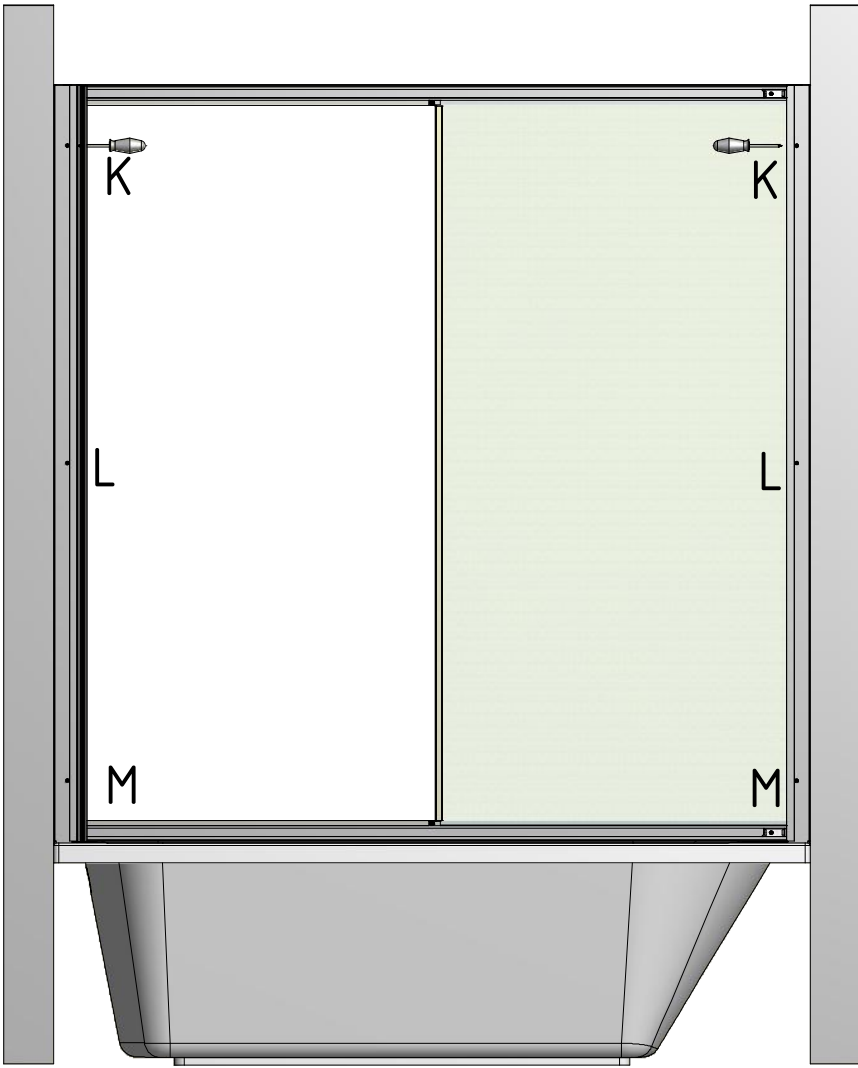


I 6x

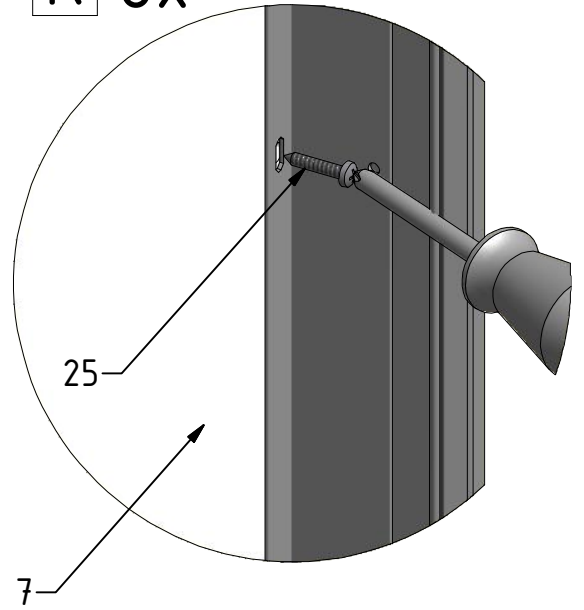


J 6x

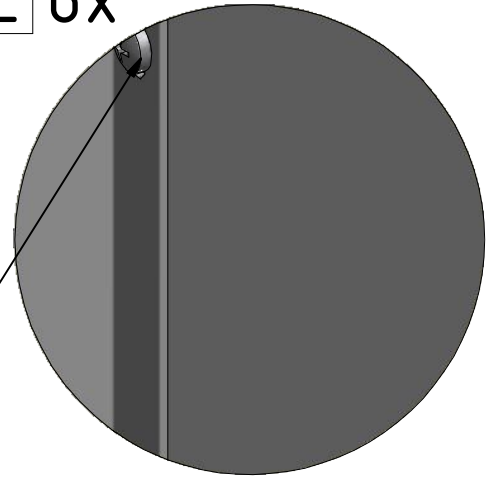




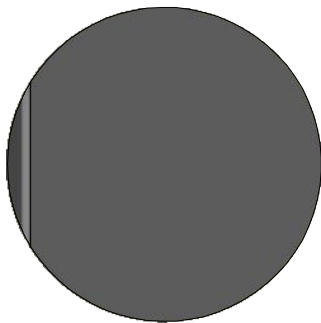
K 6x

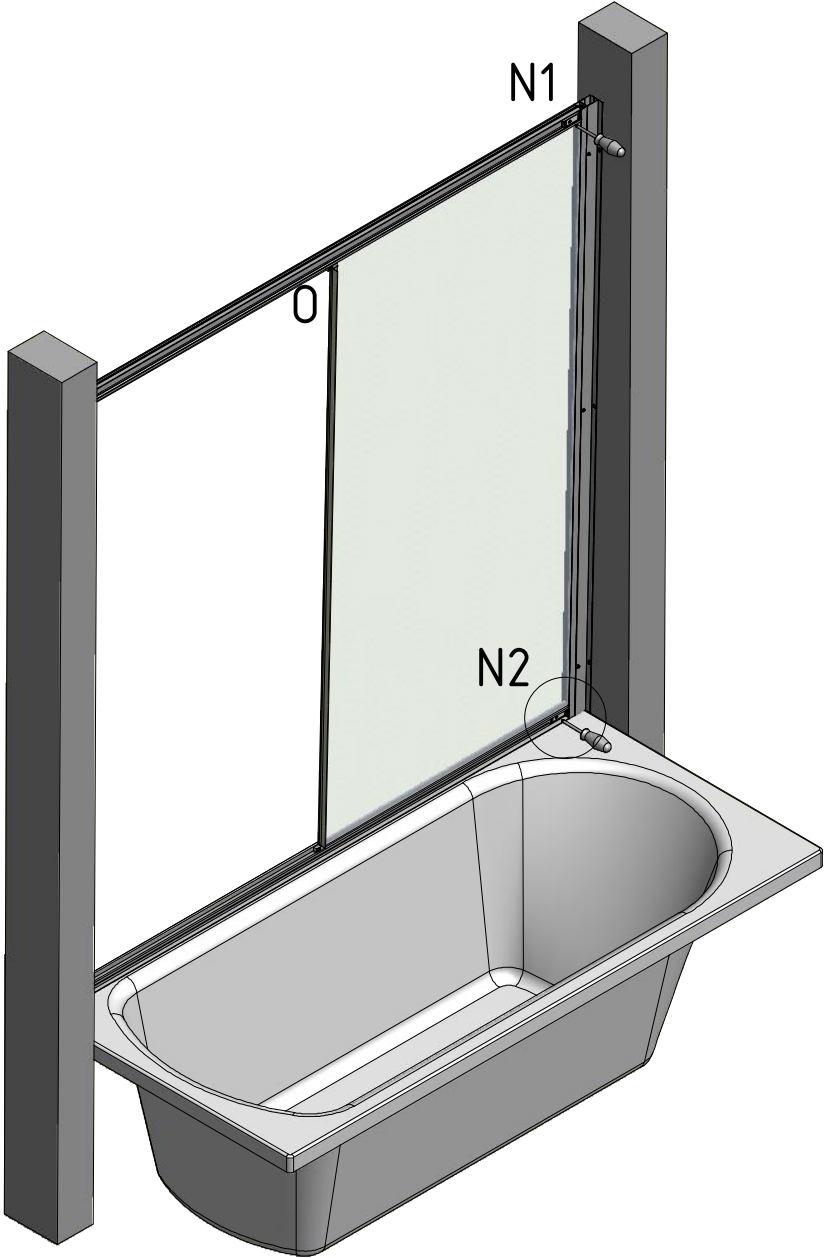


L 6x

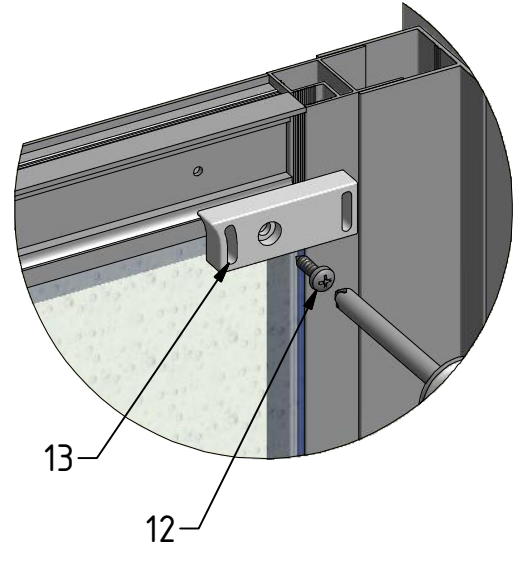


M 6x

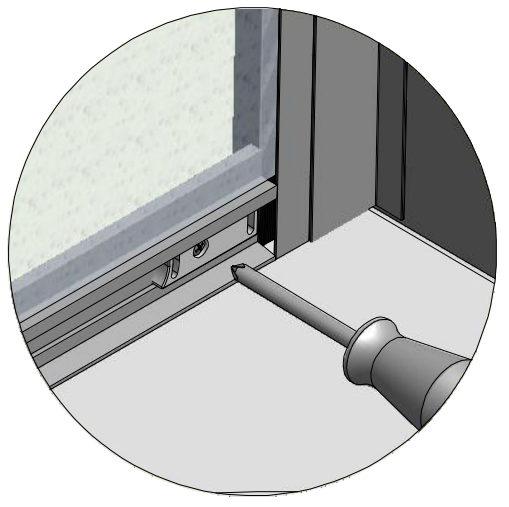




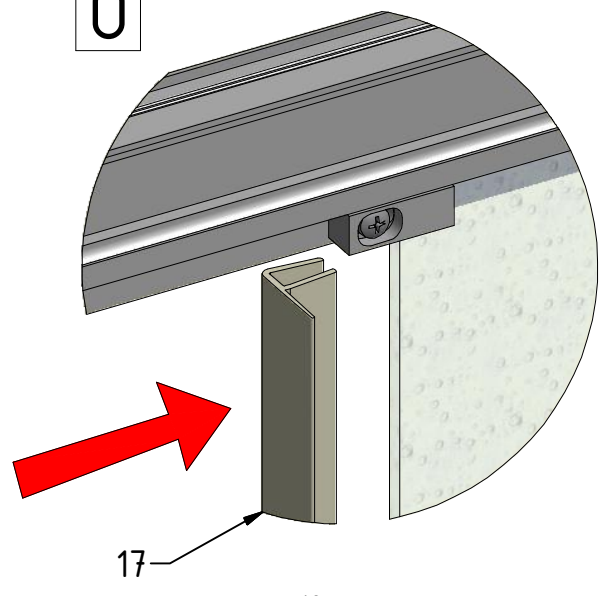
N1



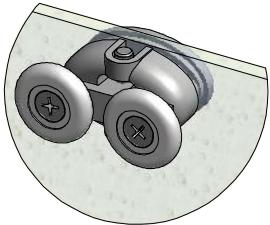
N2



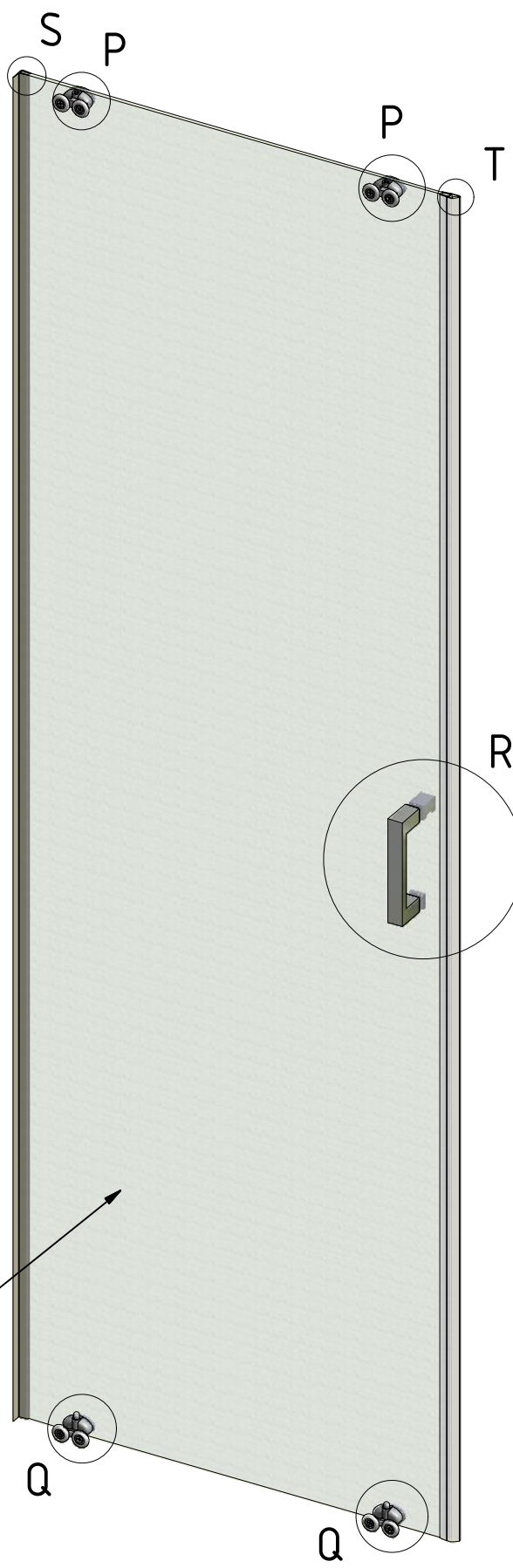
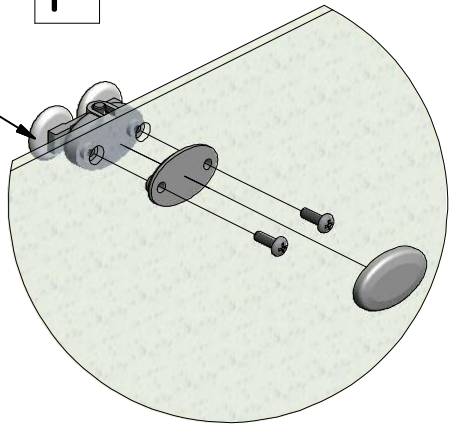
0



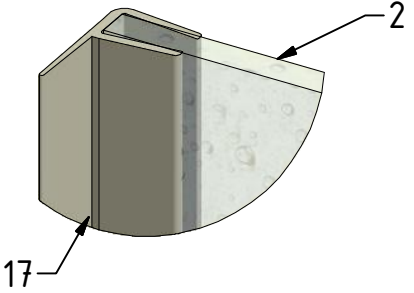
P



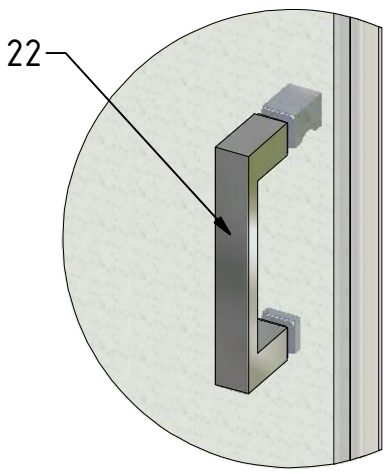
P



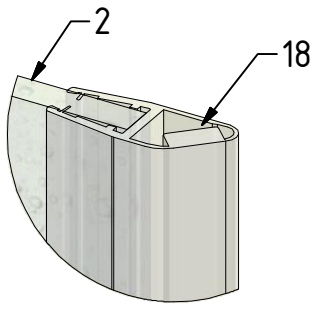
S



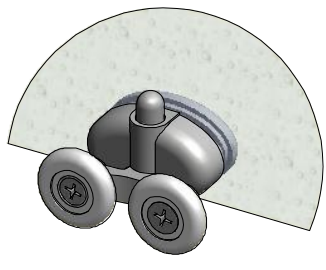
R



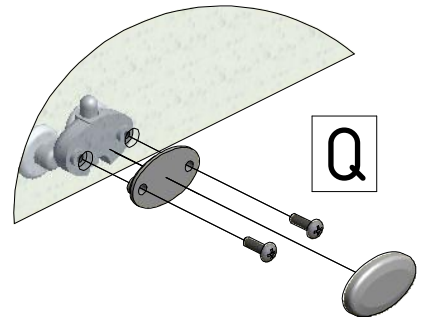
T



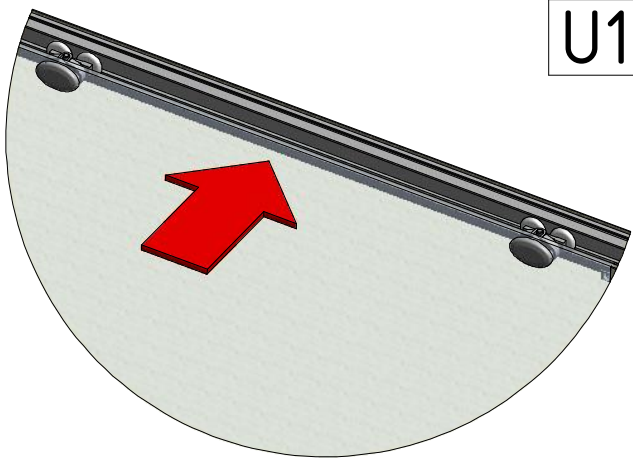
Q



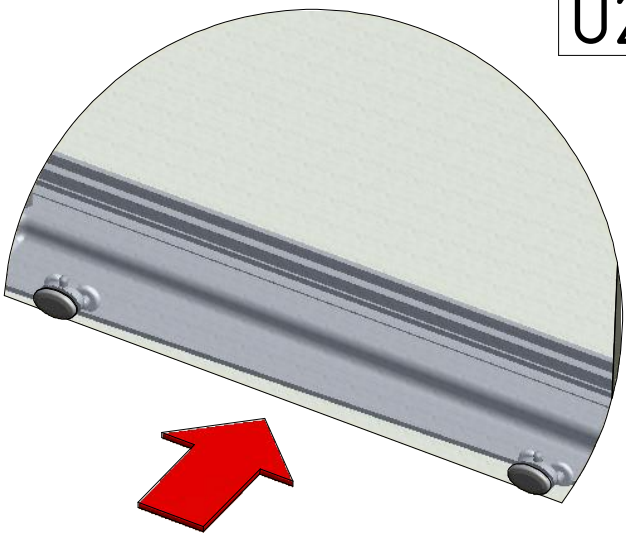
Q



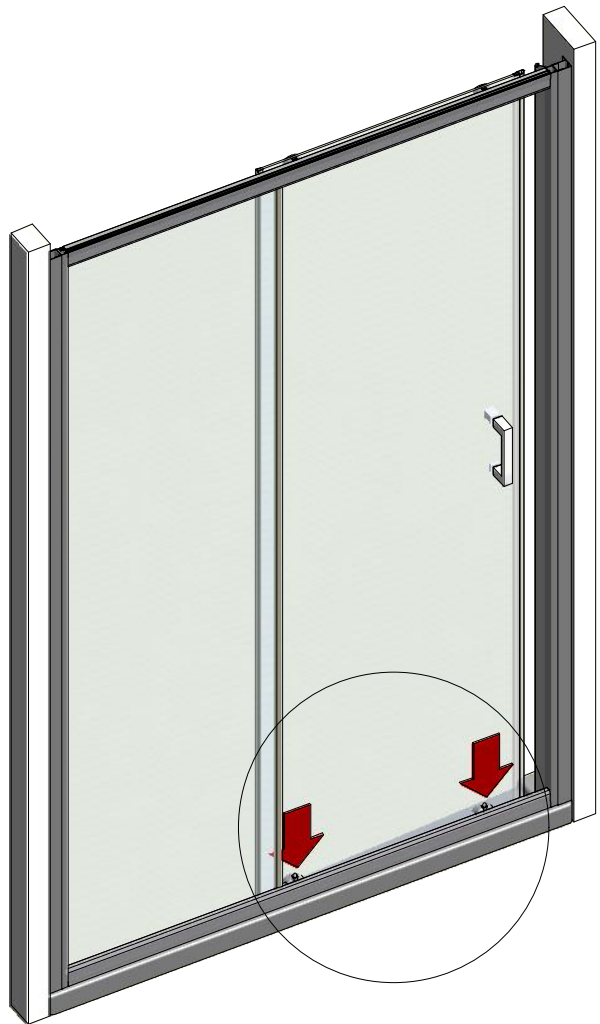
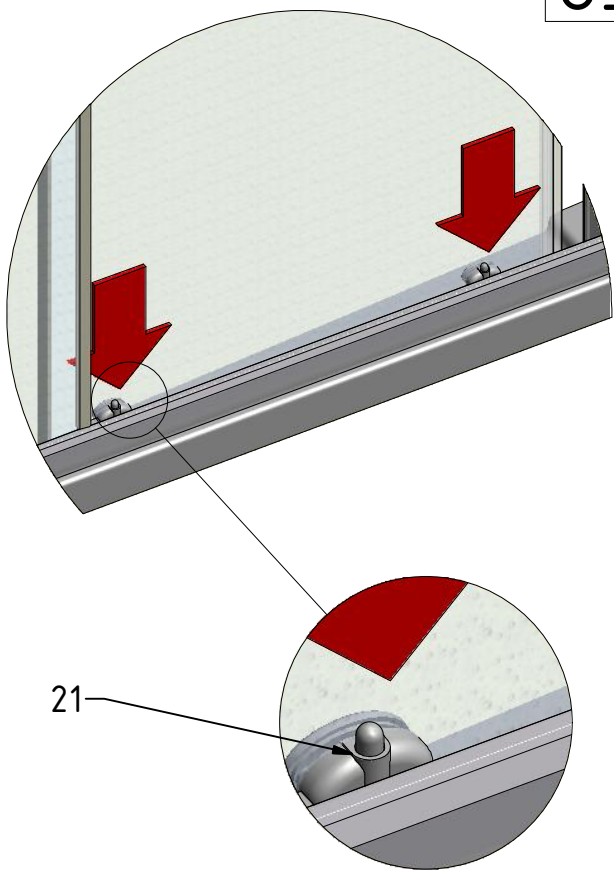
U1

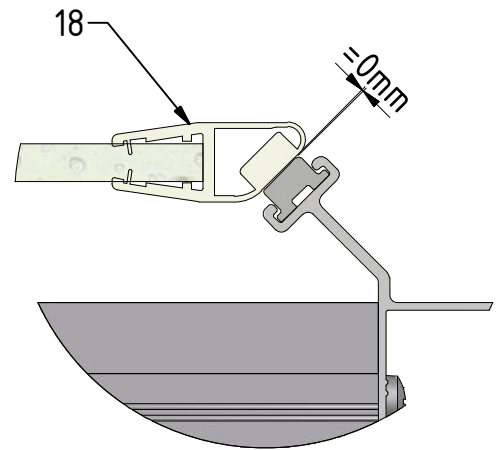


U2

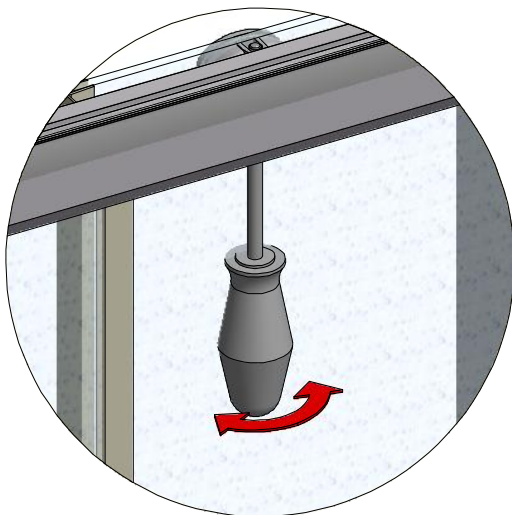


U3

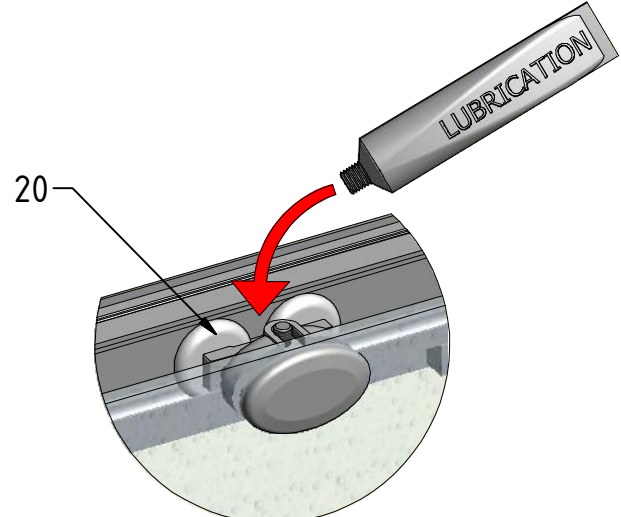
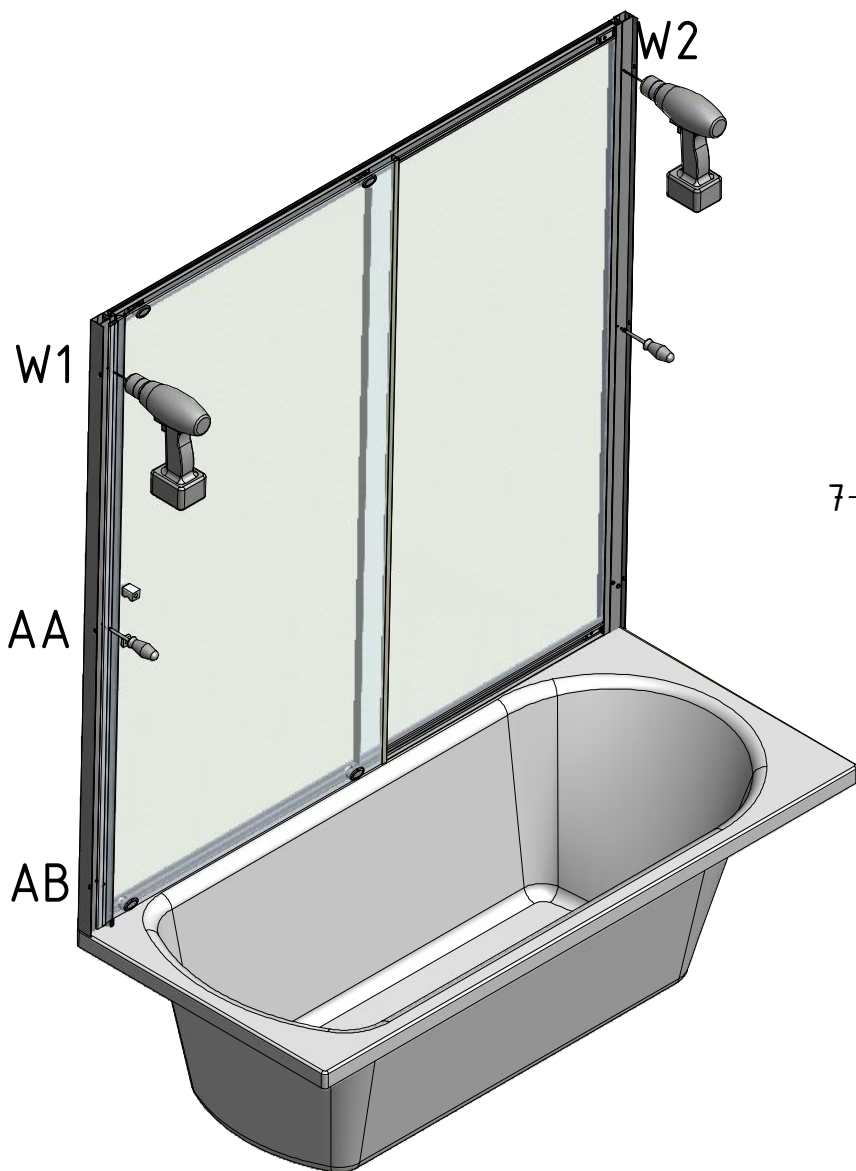




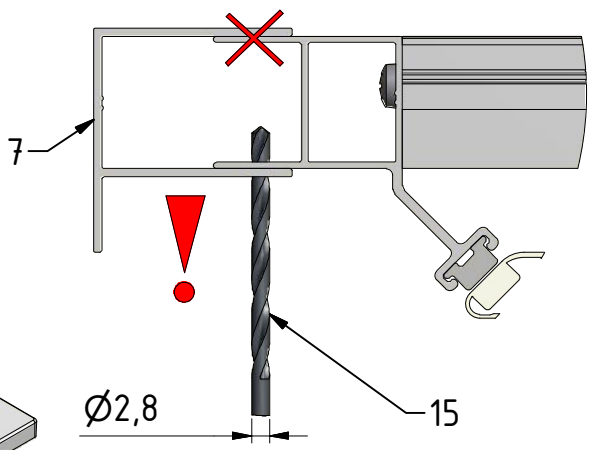
V



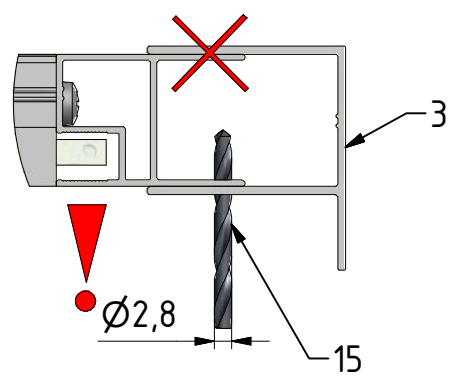
20



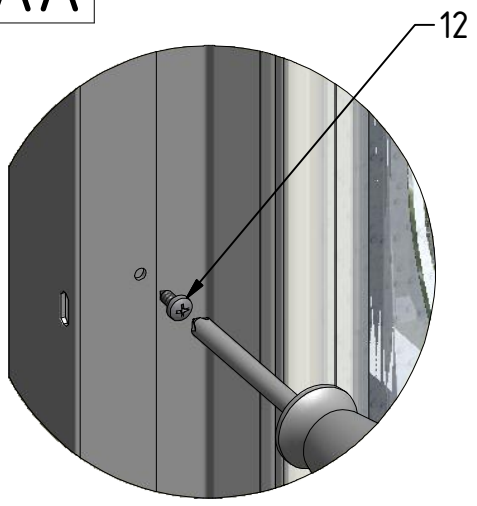
W1 3x



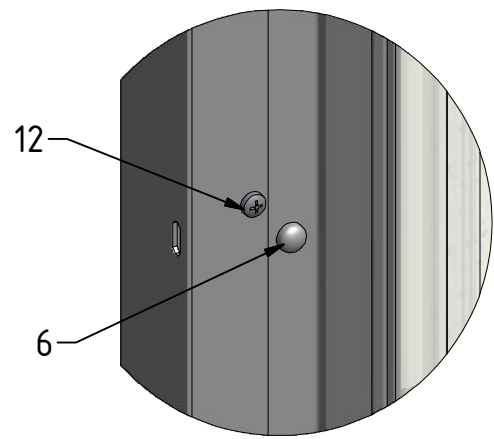
W2 3x

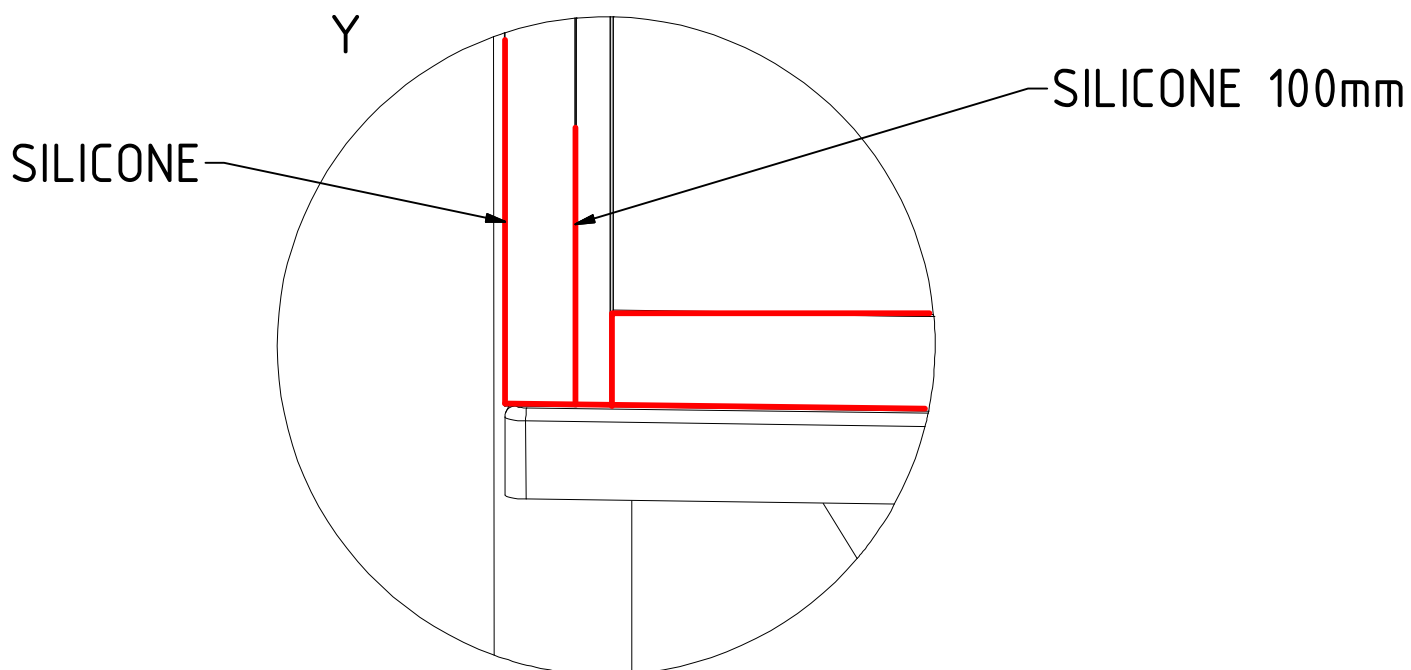
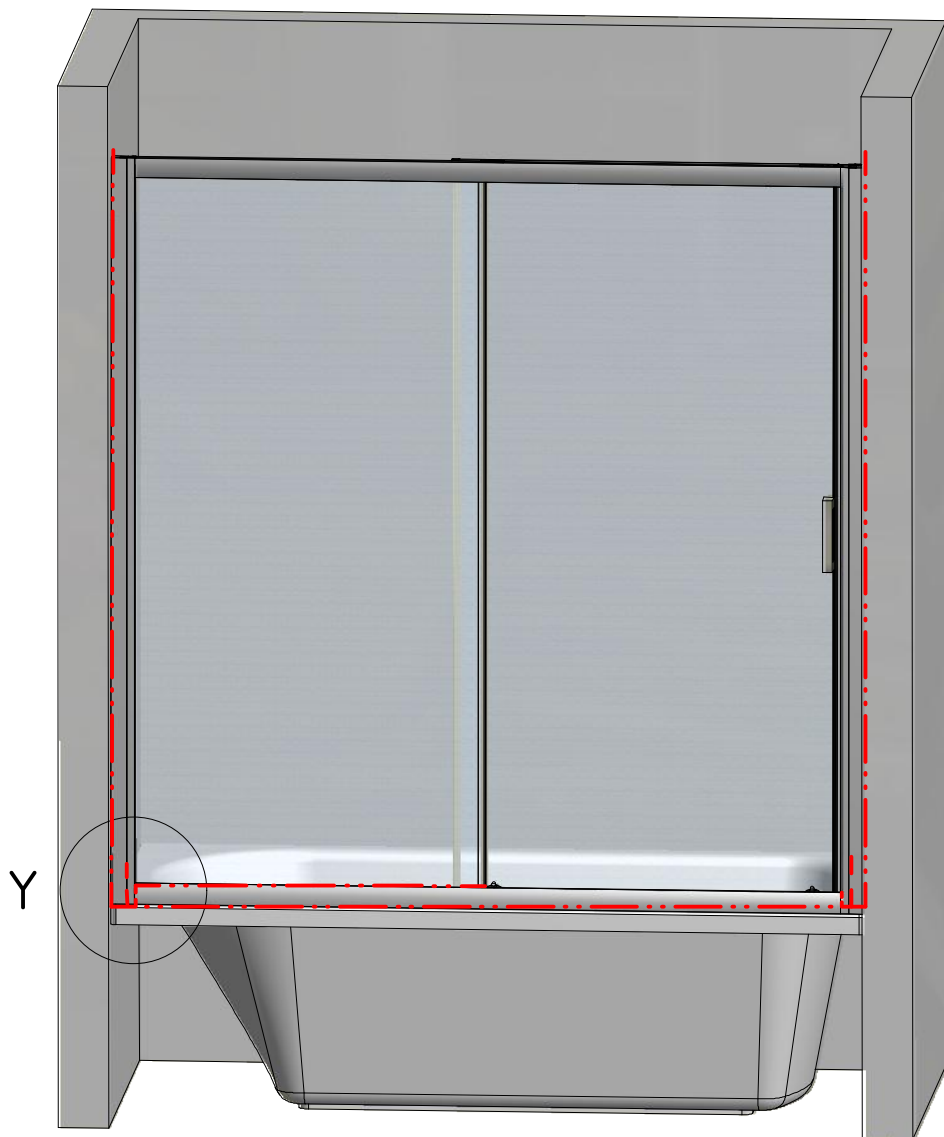


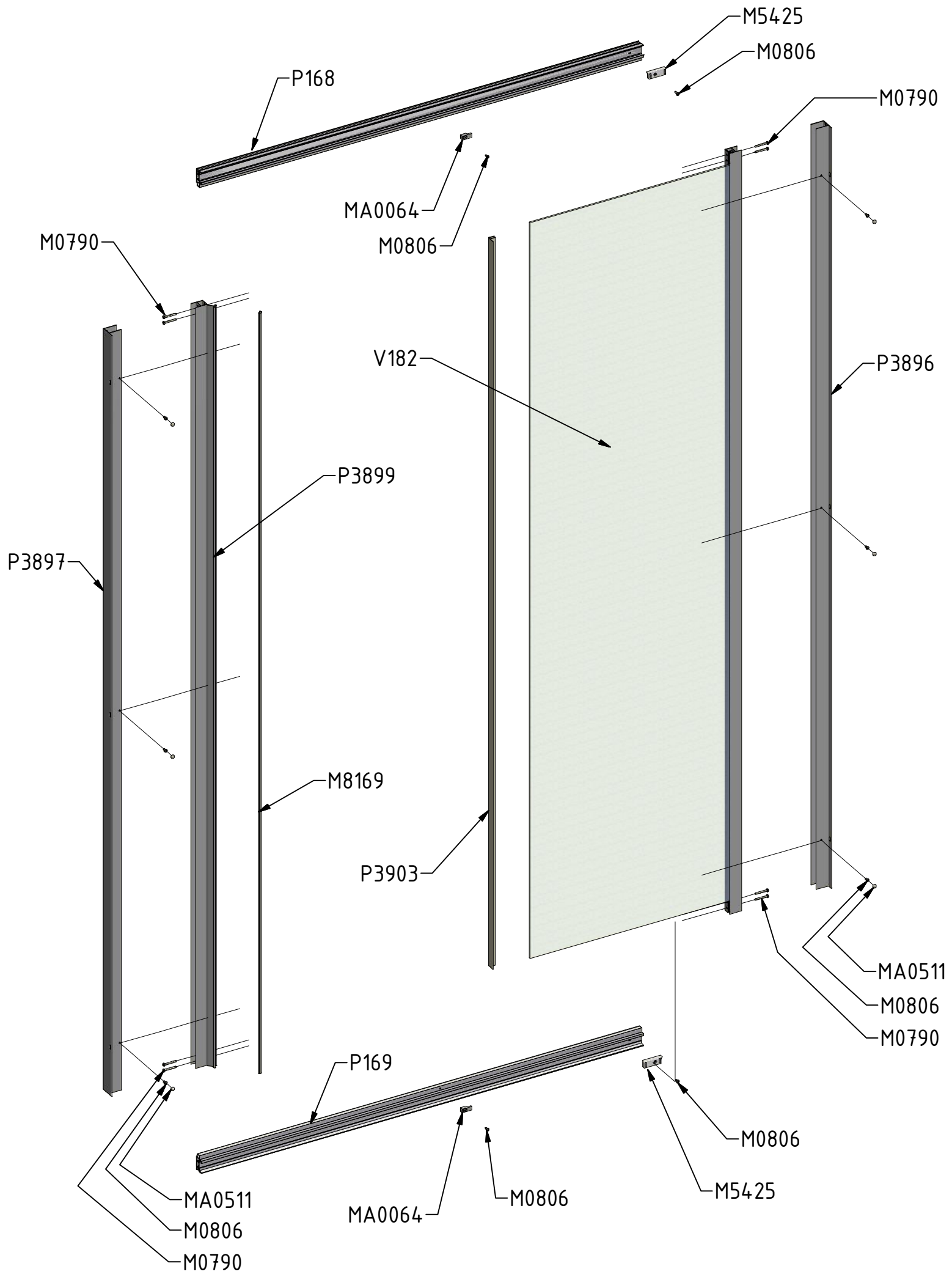
AA

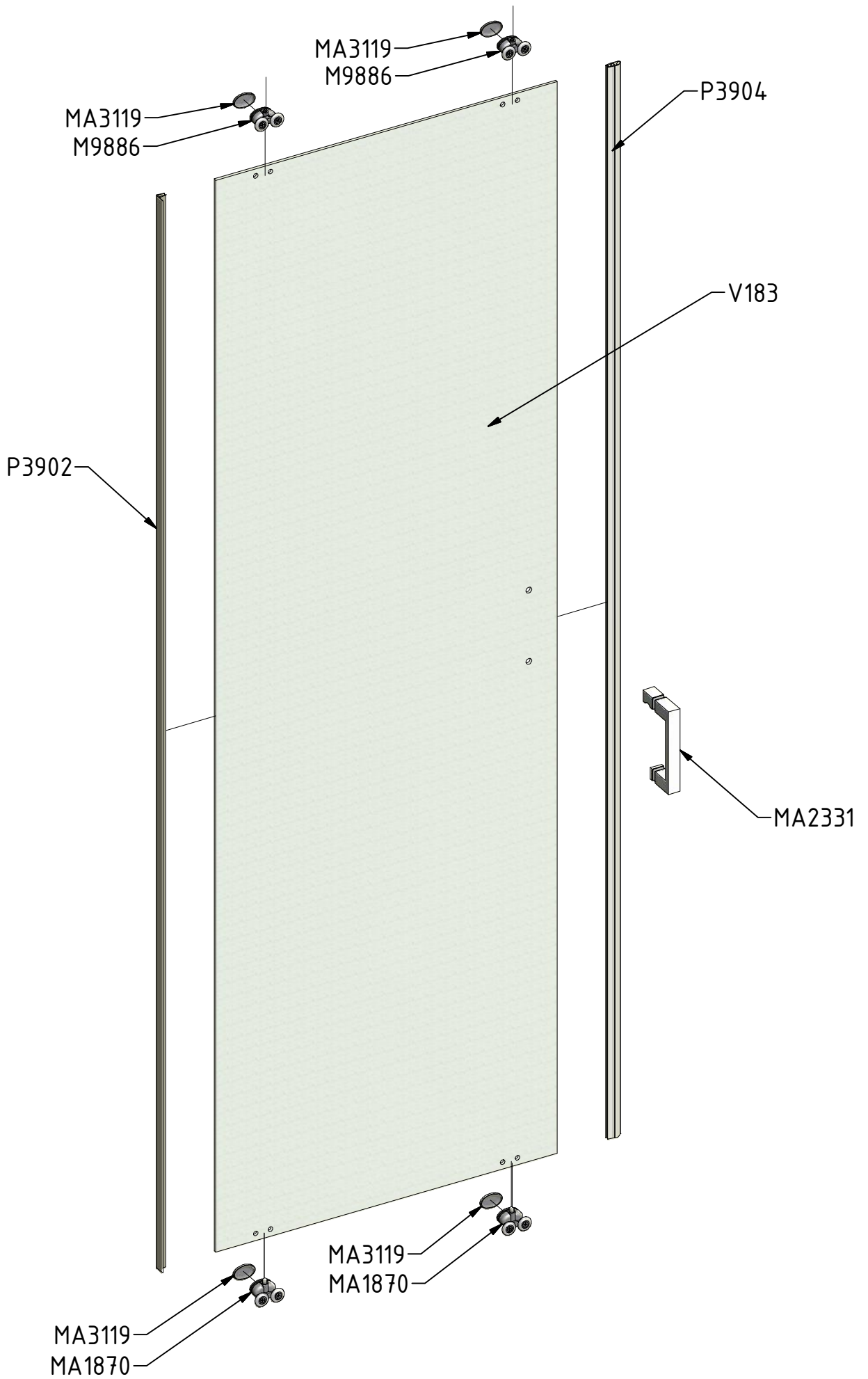


AB









| | | | |
|------|-----------|----------------------|-----------|
| V182 | 1200 | Brillant+transparent | ND03-0674 |
| | 1400 | | ND03-0675 |
| | 1500;1600 | | ND03-0676 |

| | | | |
|------|-----------|-------------|-----------|
| V183 | 1200 | Transparent | ND02-0754 |
| | 1400 | | ND02-0755 |
| | 1500;1600 | | ND02-0756 |

| | | | |
|------|------|----------|-------|
| P168 | 1000 | brillant | P3333 |
| | 1200 | | P3335 |
| | 1400 | | P3337 |
| | 1500 | | P3900 |
| | 1600 | | P3339 |

| | | | |
|------|------|----------|-------|
| P169 | 1000 | brillant | P3334 |
| | 1200 | | P3336 |
| | 1400 | | P3338 |
| | 1500 | | P3901 |
| | 1600 | | P3340 |